

DATA SHEET

ARUBA OUTDOOR MIMO ANTENNA

ANT-3x3-D905

ANT-3x3-D905 is a multi-polarized outdoor antenna with 90° horizontal x 90° vertical beamwidths. This outdoor antenna is well suited for 2.4- and 5 GHz-sector Wi-Fi coverage.

FREQUENCY/MINIMUM GAIN

- 4.9-6.0 GHz/5 dBi min
- 2.4-2.5 GHz/5 dBi min

DIMENSIONS

- 200 x 200 x 33 mm (7.9 x 7.9 x 1.25 inches)

POLARIZATION

- V and slant +/- 45°

WEIGHT

- 260 g (0.57 lbs)

BEAMWIDTH

- Horizontal plane: 100°
- Vertical plane: 90°

HOUSING

- Housing: Aluminum
- Radome: Plastic

IMPEDANCE

- 50 ohms

CONNECTORS

- N-type female x3 (RF cables not included)

MAXIMUM INPUT POWER

- 20 watts

OPERATING TEMPERATURE

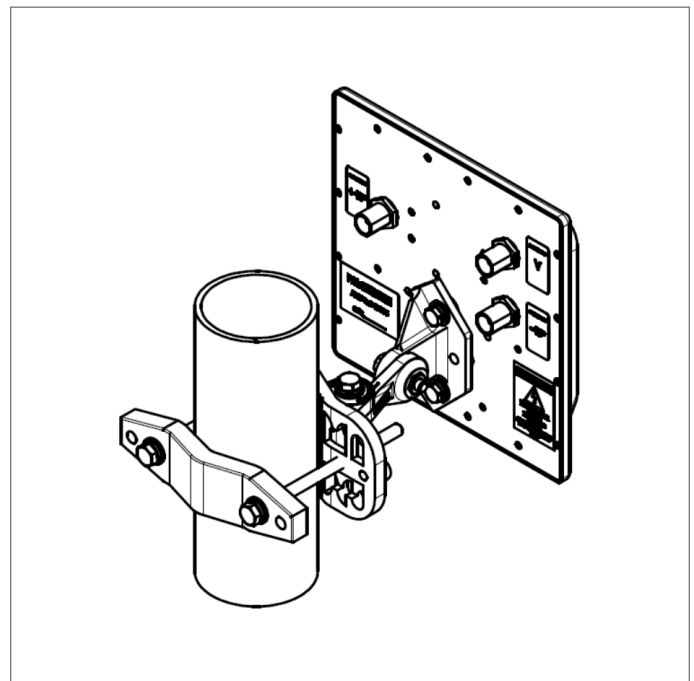
- -45°C to +70°C

VSWR

- 2:1 max

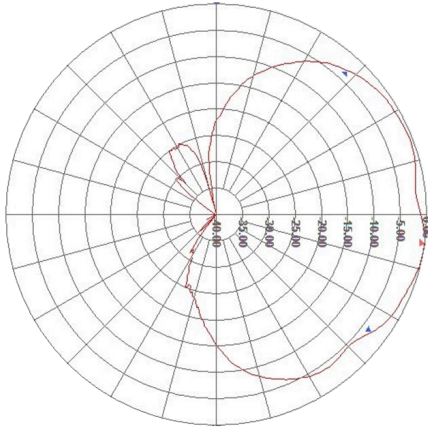
INSTALLATION HARDWARE

- Mount kit for wall and pole included

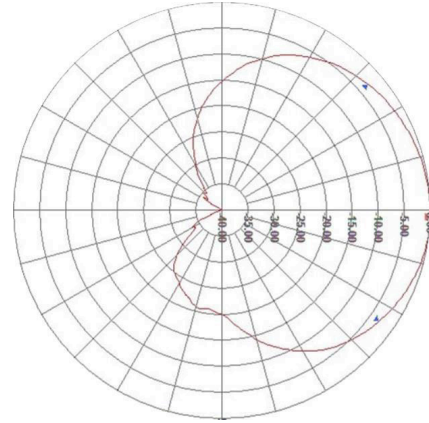


ANTENNA PATTERN PLOTS

Vertical patterns

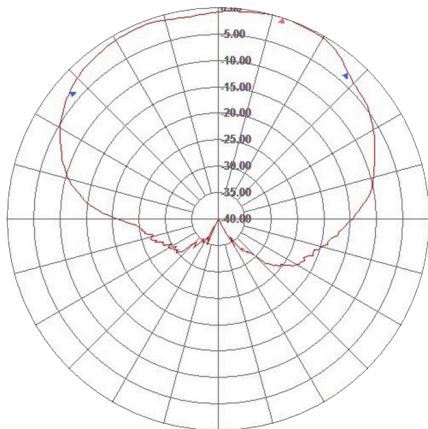


5 GHz

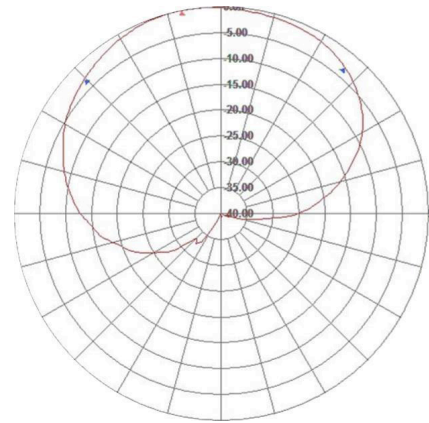


2.4 GHz

Horizontal patterns



5 GHz



2.4 GHz