

ARUBA AP-ANT-85 OUTDOOR 2.4-2.5 GHZ DIRECTIONAL PANEL ANTENNA

The AP-ANT-85 is a high-gain, directional, outdoor panel antenna, ideal for point to point or point to multi-point WDS bridging or wireless backhaul applications due its tight E and H plane beamwidths (30 degrees). AP-ANT-85 offers the user a high gain alternative to a yagi antenna in a much smaller and inconspicuous package, and is enclosed in a weather resistant UV stable housing (10"x10"x1.5") that can be wall, mast or pole mounted using its supplied mount kit.



FREQUENCY / GAIN

- 2.400-2.500 GHz / 15.0 dBi

POLARIZATION

- Directional, Linear

BEAMWIDTH

- E-Plane 29 degrees
- H-Plane 31 degrees

IMPEDANCE

- 50 ohms

MAXIMUM INPUT POWER

- 50 watts

VSWR (MINIMUM PERFORMANCE)

- 1.5:1

DIMENSIONS (INCHES/CENTIMETERS)

- 10" (25.4 cm) x 10" (25.4 cm) x 1.5" (3.8 cm)

HOUSING

- UV-stable Polycarbonate

FLY CABLE LENGTH / CONNECTOR

- 36" / N-Type Male

OPERATING TEMPERATURE

- -30° C to +65° C / -22° F to +149° F

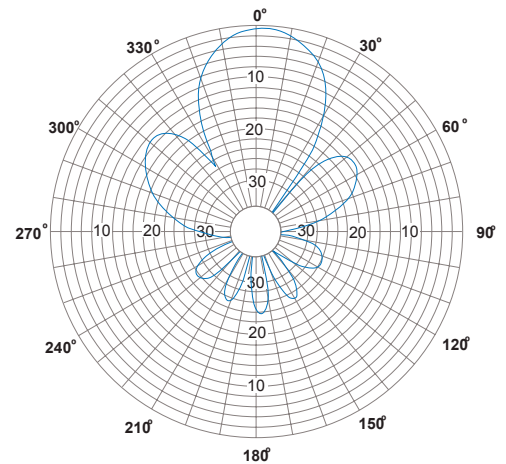
WIND SPEED SURVIVAL (MPH/KPH)

- N/A

INSTALLATION HARDWARE

- Wall or mast mount kit included

ELEVATION PLANE - 2450MHZ



AZIMUTH PLANE - 2450MHZ

