

DATA SHEET

ARUBA OUTDOOR MIMO ANTENNA

JW035A

ANT-3x3-D608 is a multipolarized antenna with 60° H x 60° V beamwidths. This antenna is well suited for 2.4- and 5-GHz sector Wi-Fi coverage.

FREQUENCY/MIN GAIN

- 4.9-6.0 GHz/7.5 dBi min
- 2.4-2.5 GHz/7.5 dBi min

DIMENSIONS

- 197.5 x 197.5 x 34.5 mm (7.5 x 7.5 x 1.2 inches)

POLARIZATION

- V, and slant +/- 45°

WEIGHT

- 521 g (1.15 lbs)

BEAMWIDTH

- Horizontal plane: 60° vertical plane: 60°

HOUSING

- Aluminum Radome: Plastic

IMPEDANCE

- 50 ohms

CONNECTORS

- N-type female x3 (RF cables not included)

MAXIMUM INPUT POWER

- 6 watts

OPERATING TEMPERATURE

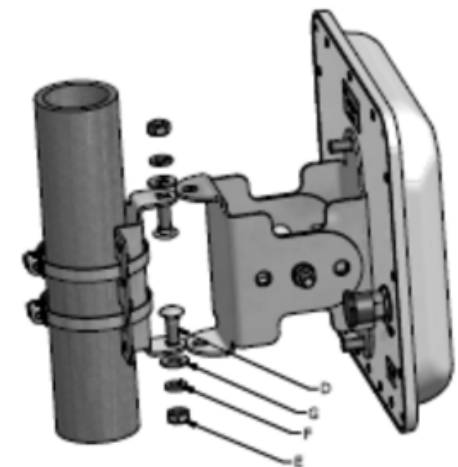
- -45°C to +65°C

VSWR

- 2:1 max

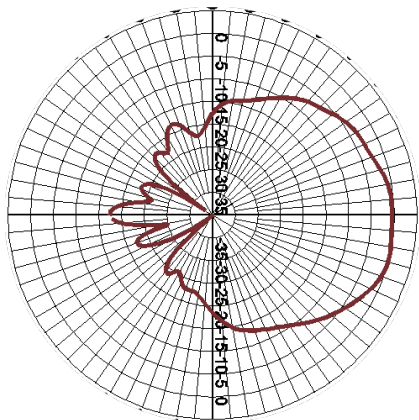
INSTALLATION HARDWARE

- Mount kit for wall and pole included

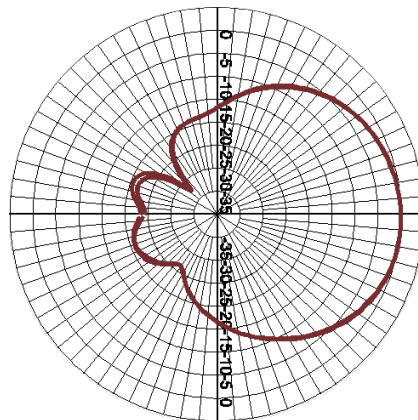


ANTENNA PATTERN PLOTS

Vertical pattern

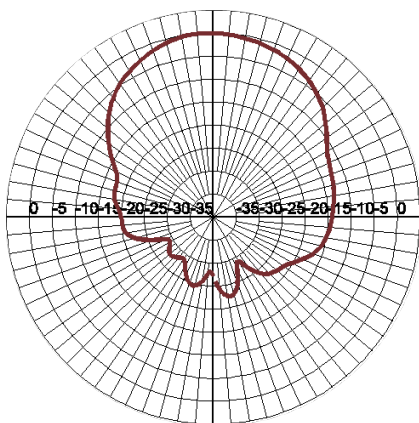


Vertical and horizontal polarization (5.x GHz)

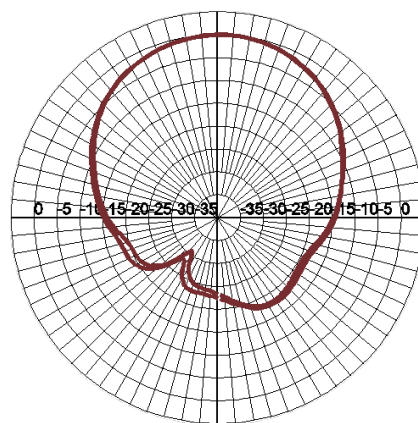


Vertical and horizontal polarization (2.4 GHz)

Horizontal pattern



Vertical and horizontal polarization (5.x GHz)



Vertical and horizontal polarization (2.4 GHz)

ORDERING INFORMATION

Part Number	Description
JW035A	ANT-3x3-D608 Dual Band 60x60deg 8dBi +/- 45 and Vert Pol MIMO N-Type Antenna