

## DATA SHEET

ARUBA OUTDOOR  
4X4 MIMO ANTENNA

JW019A

AP-ANT-48 is a multi-polarized antenna with nominal 60° H x 60° V beamwidths. This antenna is well suited for 2.4 and 5 GHz sector coverage for access.

## FREQUENCY/NOMINAL GAIN

- 4.9-6.0 GHz/8.5 dBi (peak)
- 2.4-2.5 GHz/8.5 dBi (peak)

## DIMENSIONS

- 190 mm x 190 mm x 44 mm (Excluding wall mount flanges)

## POLARIZATION

- +/- 45°
- +/- 135°

## WEIGHT

- 700 g

## BEAMWIDTH

- Horizontal plane: 70° @ 2.4 GHz
- Vertical plane: 70° @ 2.4 GHz
- Horizontal plane: 56° @ 5.x GHz
- Vertical plane: 56° @ 5.x GHz

## HOUSING

- Housing: Aluminum
- Radome: Plastic

## IMPEDANCE

- 50 ohms

## CONNECTION

- 75 cm RPSMA terminated pigtailed

## MAXIMUM INPUT POWER

- 6 watts

## OPERATING TEMPERATURE

- -45° C to +65° C

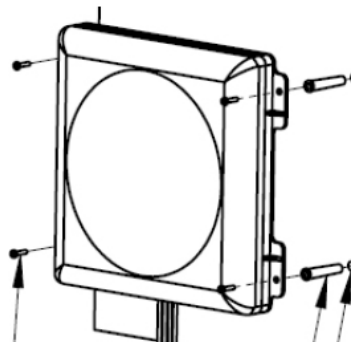


## VSWR

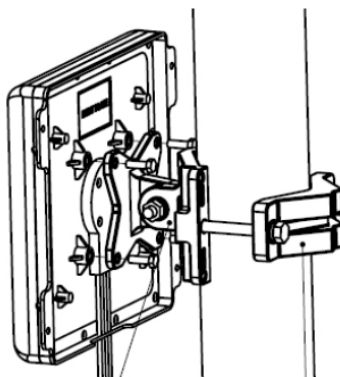
- 2:1 max

## INSTALLATION HARDWARE

- Wall mount anchors provided
- Optional AP-ANT-MNT-4 bracket purchased separately



Wall mount

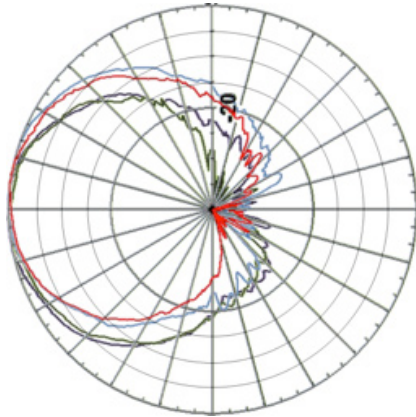


With Pole Mount Kit

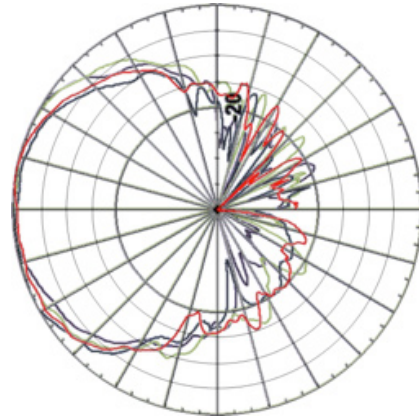


## ANTENNA PATTERN PLOTS

Vertical patterns

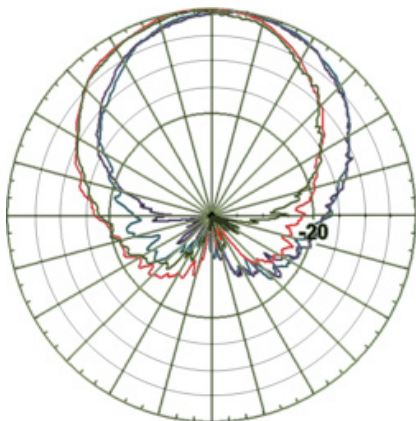


5.x GHz

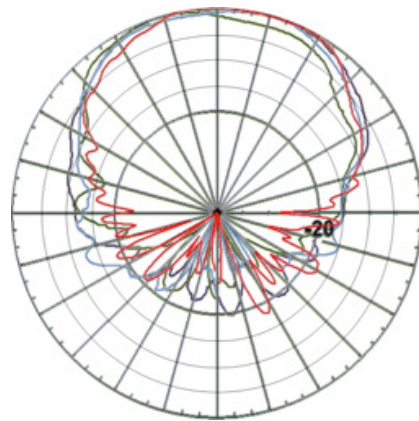


2.4 GHz

Horizontal patterns



5.x GHz



2.4 GHz

### ORDERING INFORMATION

Part Number	Description
JW019A	AP-ANT-48 Dual Band 60x60deg 8.5dBi 4 Element MIMO 4xRPSMA Pigtail Antenna
JW021A	AP-ANT-MNT-4 AP-ANT-48 Azimuth and Elevation Adjustable Mount Kit