

# WiFi Access Point Series 9851



- > Enables the use of standard WiFi access points in hazardous locations Zone 2
- > Open for the use of WiFi devices with internal and external antennas
- > Reduced maintenance effort because of separate connection box
- > Low weight

A6



The WiFi access point series 9851 enables the use of standard WiFi access points like the Aruba AP-515 or other devices in Zone 2. This way, a company-wide, homogeneous WiFi infrastructure can be set up. This reduces the effort for administration, monitoring and spare parts inventory. The weight is reduced by up to 70% compared to metal solutions based on flameproof enclosures (Ex d). The assembly effort during field installation is significantly reduced. The housing is made of glass fiber reinforced plastic, which allows unhindered radiation of the radio signals and thus enables use without external antennas. The connection is made via a separate connection compartment, so that access to the Ex nR housing is not necessary and the maintenance effort is minimized.

	ATEX					
Zone	0	1	2	20	21	22
Installation in			x			



Explosion protection	
Global (IECEX) Gas	Ex ec nR IIC T4 Gc
Europe (ATEX) Gas	II 3 G Ex ec nR IIC T4 Gc
Installation in	Zone 2

Selection table			
Type	Basic device	Order number	Weight kg
WLAN Access Point Series 9851	Aruba AP-515	273558	7

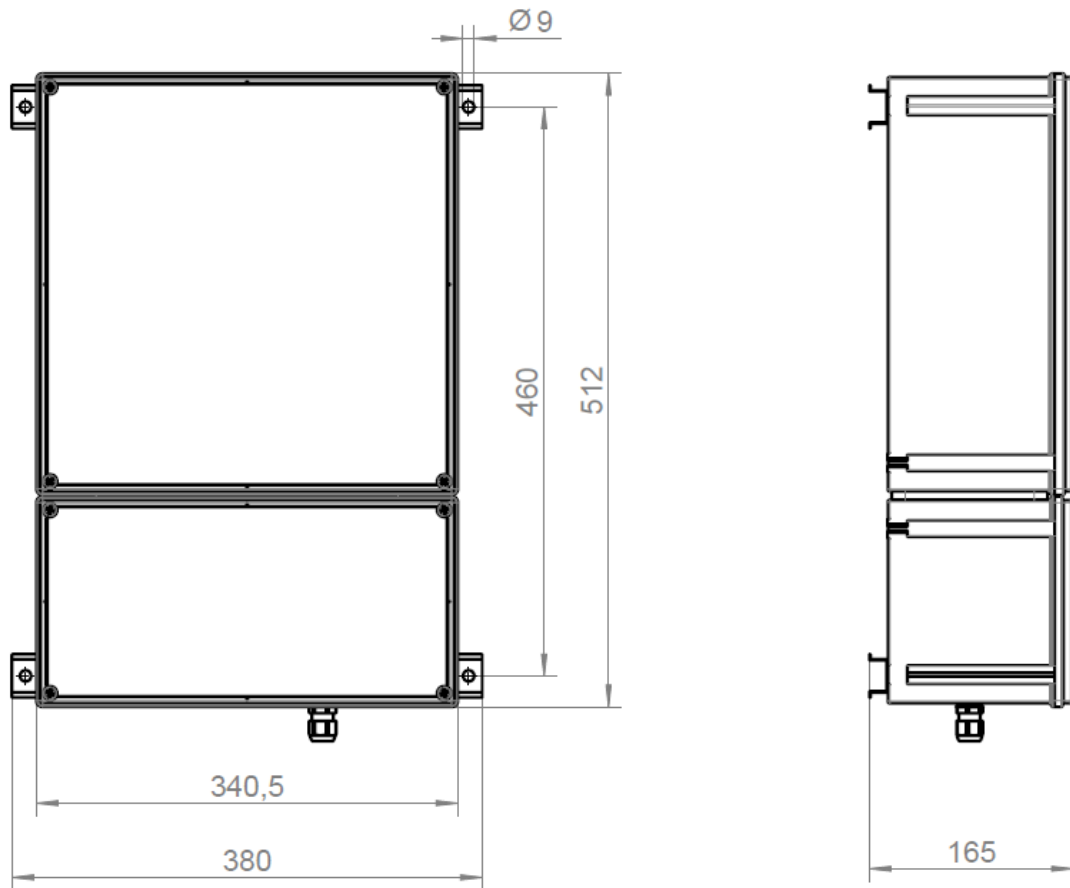
Technical data	
<b>Power supply</b>	
Max. power requirement	PoE 802.3af, IPM activated 13,5 W PoE 802.3at/bt 20,8 W
<b>WiFi interface</b>	
Protocol	802.11b, 802.11a/g/n/ac, 802.11ax
Frequency range	2,4 ... 2,4835 GHz and 5,150 ... 5,250 GHz / 5,250 ... 5,350GHz / 5,250 ... 5,350GHz / 5,470 ... 5,725GHz / 5,725 ... 5,850GHz
Additional technical data	Country-specific restrictions apply. See data sheet of Aruba AP-515
<b>Additional interfaces (within the field enclosure)</b>	
<b>E0</b>	
Transmission	100 / 1000 / 25000 BASE-T (Automatic detection of transmission bandwidth)
...Connection	RJ45
<b>E1</b>	
Transmission	10/100/1000BASE-T
...Connection	RJ-45
<b>Connection enclosure</b>	
Ethernet	via cage clamp terminals with integrated screen termination
<b>Compliance to legal regulations</b>	
	RED-directive 2014/53/EU EMV-directive 2014/30/EU Low voltage directive 2014/35/EU Please contact your local Aruba sales representative for further information about country specific regulations and certifications.
<b>Mechanical data</b>	
Enclosure material	Glass-fibre reinforced polyester resin
Gasket	Silicon foamed
Protection	IP 66
Dimensions	512 x 341 x 165 mm (without cable glands))
Mounting	Wall mounting
Weight	Approx. 7 kg
<b>Ambient conditions</b>	
Temperature range	
operation	0°C...40°C (without additional sun load)
storage	-40°C...70°C
relative humidity (without condensation)	≤ 95 %
Use in height of	< 2.000 m

# WiFi Access Point

## Series 9851



Dimensional drawing (all dimensions in mm) – subject to changes



Technical data, dimensions, weights, constructions and delivery options are subject to change.  
The illustrations are non-binding.

A6