

## New! Rapid Deployment Kit

The TerraWave Rapid Deployment Kit allows setup of a mobile wireless network in combination with an Aruba AP274 or AP275. The combination of an AP and the Rapid Deployment Kit provides a ruggedized temporary Wi-Fi solution, supporting voice, video, and data access across a large area. The solution is ideal for supporting outdoor events such as concerts, auto races, festivals, and for providing disaster response.

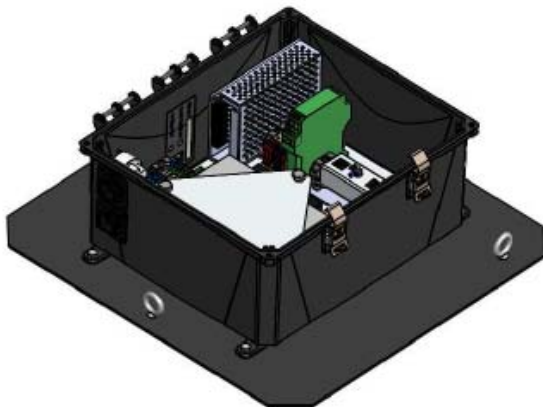
The Rapid Deployment Kit includes a tripod with an extension pole, a battery backup system, mounting hardware, data cables, and a quick start guide. *Every TerraWave enclosure is covered by the company's two-year TerraNet warranty program. For questions and to purchase product, contact a Regional Sales Executive at 210-375-8482, 800-851-4965 or sales@terrawave.com.*

### System Highlights

- ◇ Designed to deploy in both indoor and outdoor environments
- ◇ Provides robust temporary Wi-Fi connectivity
- ◇ Ideal for expos, festivals, concerts, sporting events, conferences, meetings, and disaster recovery

### Specifications

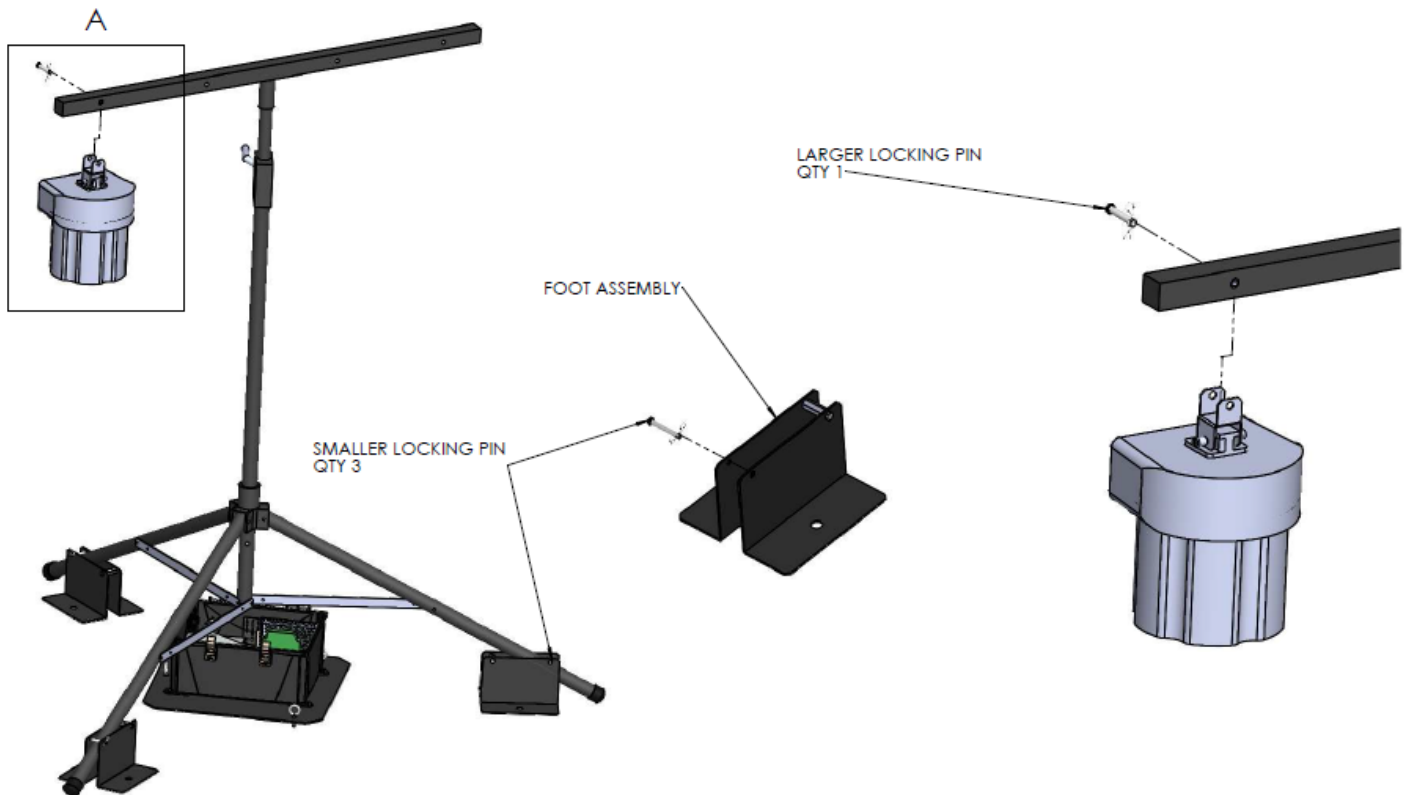
Temperature Range	-30 °C (-22 °F) to 40 °C (+104 °F)
Battery Backup Time	10 Hours
Recharge Time	12 Hours
Battery	17.2 Amp Hour
Base System Voltage	Voltage 12 Vdc
Power Supply	12 Vdc, 60W
Gigabit PoE Repeater Output	56 Vdc at 50 Watts maximum



#### NOTES:

- 1) Place enclosure directly under where the center of the tripod will be located
- 2) Place tripod directly over enclosure. Enclosure should be centered in three legs
- 3) Place tripod T-bar on tripod base and tighten. Thread three nylon straps through eye-bolts on enclosure tray. Loop straps around tripod legs and tighten equally until tray is suspended and level

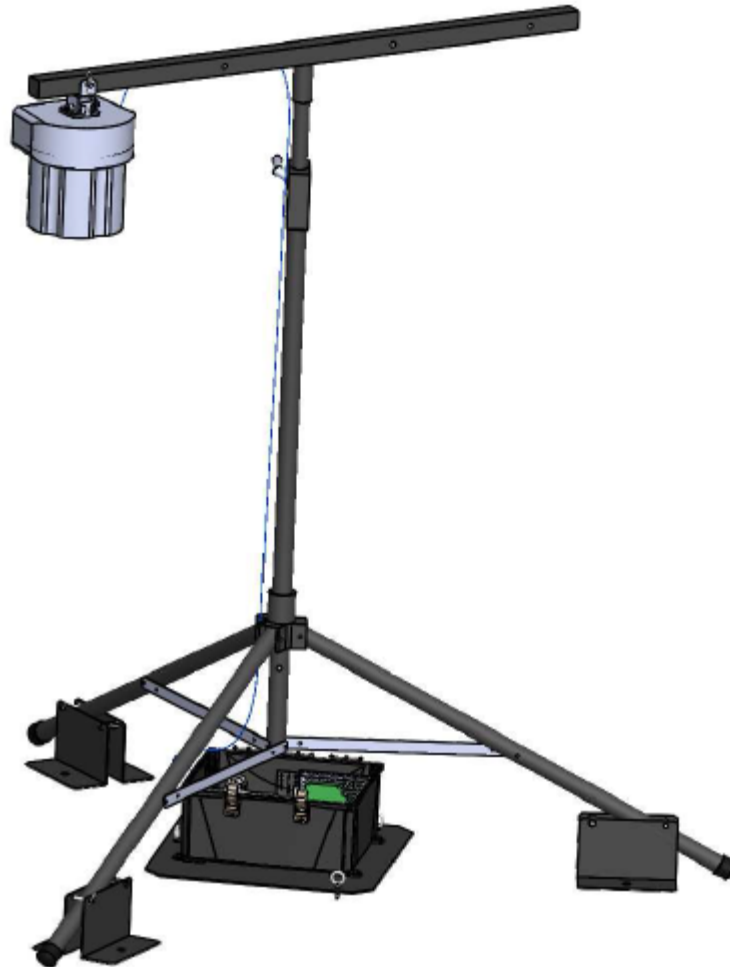
## New! Rapid Deployment Kit



### NOTES:

- 1) Slide tripod foot assembly over tripod leg and lock in place with locking pin
- 2) Place antenna bracket over desired holes on T-bar and lock in place with pin.

## New! Rapid Deployment Kit



NOTES:

- 1) If necessary, place cinder blocks or weights on tripod foot assembly to secure.