

# **AOS-CX 10.09 ACLs and Classifier Policies Guide**

**8320, 8325 Switch Series**



a Hewlett Packard  
Enterprise company

## **Copyright Information**

© Copyright 2022 Hewlett Packard Enterprise Development LP.

## **Open Source Code**

This product includes code licensed under the GNU General Public License, the GNU Lesser General Public License, and/or certain other open source licenses. A complete machine-readable copy of the source code corresponding to such code is available upon request. This offer is valid to anyone in receipt of this information and shall expire three years following the date of the final distribution of this product version by Hewlett Packard Enterprise Company. To obtain such source code, send a check or money order in the amount of US \$10.00 to:

Hewlett Packard Enterprise Company  
6280 America Center Drive  
San Jose, CA 95002  
USA

## **Notices**

The information contained herein is subject to change without notice. The only warranties for Hewlett Packard Enterprise products and services are set forth in the express warranty statements accompanying such products and services. Nothing herein should be construed as constituting an additional warranty. Hewlett Packard Enterprise shall not be liable for technical or editorial errors or omissions contained herein.

Confidential computer software. Valid license from Hewlett Packard Enterprise required for possession, use, or copying. Consistent with FAR 12.211 and 12.212, Commercial Computer Software, Computer Software Documentation, and Technical Data for Commercial Items are licensed to the U.S. Government under vendor's standard commercial license.

Links to third-party websites take you outside the Hewlett Packard Enterprise website. Hewlett Packard Enterprise has no control over and is not responsible for information outside the Hewlett Packard Enterprise website.

---

<b>Contents</b> .....	<b>3</b>
<b>About this document</b> .....	<b>5</b>
Applicable products .....	5
Latest version available online .....	5
Command syntax notation conventions .....	5
About the examples .....	6
Identifying switch ports and interfaces .....	6
Identifying modular switch components .....	7
<b>Access Control Lists</b> .....	<b>8</b>
ACL usage tips .....	9
About address and port object groups .....	10
ACL and ACE-related tasks .....	10
Object group-related tasks .....	12
Active ACL configuration versus user-specified configuration .....	13
ACL commands .....	15
ACL application .....	15
access-list log-timer .....	16
access-list copy .....	19
access-list ip .....	21
access-list ipv6 .....	30
access-list mac .....	37
access-list resequence .....	43
access-list reset .....	45
apply access-list control-plane .....	48
apply access-list (to interface or LAG) .....	49
apply access-list (to interface VLAN) .....	51
apply access-list (to subinterface) .....	53
apply access-list (to VLAN) .....	55
clear access-list hitcounts .....	56
clear access-list hitcounts control-plane .....	57
object-group address resequence .....	58
object-group address reset .....	59
object-group all reset .....	60
object-group ip address .....	60
object-group ipv6 address .....	62
object-group port .....	64
object-group port resequence .....	67
object-group port reset .....	67
show access-list .....	68
show access-list control-plane .....	73
show access-list hitcounts .....	75
show access-list hitcounts control-plane .....	78
show capacities .....	79
show capacities-status .....	80
show object-group .....	81
<b>ACL configuration examples</b> .....	<b>84</b>

IPv4 ACL example overview .....	84
Defining and applying an IPv4 ACL .....	84
IPv6 ACL example overview .....	85
Defining and applying an IPv6 ACL .....	85
<b>Classifier policies .....</b>	<b>87</b>
Traffic policing .....	87
Types of policy actions .....	88
How policy matching works .....	89
Active class configuration versus user-specified configuration .....	89
Active policy configuration versus user-specified configuration .....	90
Considerations for when a policy is applied per interface .....	91
Classifier policy commands .....	93
Classifier policy application .....	93
apply policy (config) .....	93
apply policy (config-if, config-lag-if, config-if-vlan, config-vlan) .....	94
class copy .....	98
class ip .....	99
class ipv6 .....	107
class mac .....	113
class resequence .....	117
class reset .....	119
clear policy hitcounts .....	119
policy .....	121
policy copy .....	125
policy resequence .....	126
policy reset .....	127
show class .....	128
show policy .....	129
<b>Classifier policies configuration example .....</b>	<b>134</b>
Configuring the classifier policies example .....	134
<b>ACL and Policy hardware resource considerations .....</b>	<b>137</b>
TCAM lookups .....	137
Matching precedence order .....	138
L4 port ranges .....	139
ACL and Policy hardware resource commands .....	140
show resources .....	140
show resources .....	141
High capacity TCAM commands .....	142
system high-capacity-tcam access-list ip .....	143
show system high-capacity-tcam .....	144
<b>Support and Other Resources .....</b>	<b>146</b>
Accessing Aruba Support .....	146
Accessing Updates .....	147
Aruba Support Portal .....	147
My Networking .....	147
Warranty Information .....	147
Regulatory Information .....	147
Documentation Feedback .....	148

This document describes features of the AOS-CX network operating system. It is intended for administrators responsible for installing, configuring, and managing Aruba switches on a network.

### Applicable products

This document applies to the following products:

- Aruba 8320 Switch Series (JL479A, JL579A, JL581A)
- Aruba 8325 Switch Series (JL624A, JL625A, JL626A, JL627A)

### Latest version available online

Updates to this document can occur after initial publication. For the latest versions of product documentation, see the links provided in [Support and Other Resources](#).

### Command syntax notation conventions

Convention	Usage
<code>example-text</code>	Identifies commands and their options and operands, code examples, filenames, pathnames, and output displayed in a command window. Items that appear like the example text in the previous column are to be entered exactly as shown and are required unless enclosed in brackets ( [ ] ).
<b>example-text</b>	In code and screen examples, indicates text entered by a user.
Any of the following: <ul style="list-style-type: none"><li>■ <i>&lt;example-text&gt;</i></li><li>■ <code>&lt;example-text&gt;</code></li><li>■ <i>example-text</i></li><li>■ <code>example-text</code></li></ul>	Identifies a placeholder—such as a parameter or a variable—that you must substitute with an actual value in a command or in code: <ul style="list-style-type: none"><li>■ For output formats where italic text cannot be displayed, variables are enclosed in angle brackets (&lt; &gt;). Substitute the text—including the enclosing angle brackets—with an actual value.</li><li>■ For output formats where italic text can be displayed, variables might or might not be enclosed in angle brackets. Substitute the text including the enclosing angle brackets, if any, with an actual value.</li></ul>
	Vertical bar. A logical OR that separates multiple items from which you can choose only one. Any spaces that are on either side of the vertical bar are included for readability and are not a required part of the command syntax.
{ }	Braces. Indicates that at least one of the enclosed items is required.
[ ]	Brackets. Indicates that the enclosed item or items are optional.

Convention	Usage
<p>... or</p> <p>...</p>	<p>Ellipsis:</p> <ul style="list-style-type: none"> <li>■ In code and screen examples, a vertical or horizontal ellipsis indicates an omission of information.</li> <li>■ In syntax using brackets and braces, an ellipsis indicates items that can be repeated. When an item followed by ellipses is enclosed in brackets, zero or more items can be specified.</li> </ul>

## About the examples

Examples in this document are representative and might not match your particular switch or environment. The slot and port numbers in this document are for illustration only and might be unavailable on your switch.

### Understanding the CLI prompts

When illustrating the prompts in the command line interface (CLI), this document uses the generic term `switch`, instead of the host name of the switch. For example:

```
switch>
```

The CLI prompt indicates the current command context. For example:

```
switch>
```

Indicates the operator command context.

```
switch#
```

Indicates the manager command context.

```
switch (CONTEXT-NAME)#
```

Indicates the configuration context for a feature. For example:

```
switch(config-if)#
```

Identifies the `interface` context.

### Variable information in CLI prompts

In certain configuration contexts, the prompt may include variable information. For example, when in the VLAN configuration context, a VLAN number appears in the prompt:

```
switch(config-vlan-100)#
```

When referring to this context, this document uses the syntax:

```
switch(config-vlan-<VLAN-ID>)#
```

Where `<VLAN-ID>` is a variable representing the VLAN number.

## Identifying switch ports and interfaces

Physical ports on the switch and their corresponding logical software interfaces are identified using the format:

```
member/slot/port
```

### On the 83xx Switch Series

- *member*: Always 1. VSF is not supported on this switch.
- *slot*: Always 1. This is not a modular switch, so there are no slots.
- *port*: Physical number of a port on the switch.

For example, the logical interface 1/1/4 in software is associated with physical port 4 on the switch.



---

If using breakout cables, the port designation changes to x:y, where x is the physical port and y is the lane when split to 4 x 10G or 4 x 25G. For example, the logical interface 1/1/4:2 in software is associated with lane 2 on physical port 4 in slot 1 on member 1.

---

## Identifying modular switch components

- Power supplies are on the front of the switch behind the bezel above the management modules. Power supplies are labeled in software in the format: *member/power supply*:
  - *member*: 1.
  - *power supply*: 1 to 4.
- Fans are on the rear of the switch and are labeled in software as: *member/tray/fan*:
  - *member*: 1.
  - *tray*: 1 to 4.
  - *fan*: 1 to 4.
- Fabric modules are not labeled on the switch but are labeled in software in the format: *member/module*:
  - *member*: 1.
  - *member*: 1 or 2.
- The display module on the rear of the switch is not labeled with a member or slot number.

Access Control Lists (ACLs) let a network administrator permit or deny passage of traffic based on network addresses, protocols, service ports, and other packet attributes. ACLs are composed of one or more Access Control Entries (called ACEs). Each ACE defines a filter criteria and an action, either **permit** or **deny**. If the traffic matches the filter criteria, the specified action is taken. The **permit** action permits the traffic to continue through the switch. The **deny** action causes the traffic to be discarded (dropped). ACEs can also log or count matching traffic.

Three ACL types are supported; IPv4, IPv6, and MAC. Each ACL type is focused on relevant frame or packet characteristics.

ACLs must be applied (using an `apply access-list` command) to take effect. ACLs can be applied to interfaces (including LAGs), VLANs, or the Control Plane.

Access Control Entries (ACEs) are listed according to priority by sequence number and processed in lowest to highest sequence number order. Each ACE attempts to match on one or more attributes of the particular traffic type. Attempted ACE matching ceases upon the first successful match. For a match to be considered successful, a packet must match all the criteria, qualifiers, and attributes of a particular ACE. Higher-numbered ACEs are only processed if no lower-numbered ACE matches. If the traffic matches no ACE in the entire ACL, the default action **deny** is taken, causing the traffic to be discarded (dropped).

When defining an ACE, if the sequence number is omitted, the ACE is auto-assigned a new sequence number that is 10 greater than the existing highest ACE sequence number. The first auto-assigned sequence number is 10. If you choose to include the ACE sequence numbers, you can use any number you like, however it is suggested that you follow the practice of entering them as 10, 20, 30, and so on. Regardless of the order in which ACEs are entered, they are stored in low-to-high sequence number order. If you enter three ACEs numbered 10, 30, 20, when creating an ACL, the ACEs are stored in the ACL as 10, 20, 30.

This simple ACL definition permits traffic passage for a particular address range and otherwise counts all nonmatching (dropped) traffic:

```
switch(config)# access-list ip network-A-udp-only
switch(config-acl-ip)# 10 permit udp any 172.16.1.0/24
switch(config-acl-ip)# 20 deny any any any count
switch(config-acl-ip)# exit
```

The main traffic characteristics that ACEs can filter on are as follows (see the full list in the ACE parameters list of the ACL commands):

- Protocol such as: ICMP, TCP, UDP
- Source and/or destination addresses (IPv4, IPv6, or MAC)
- Source and/or destination TCP/UDP ports (if applicable to the specified protocol)

A few real-world uses of ACLs are as follows:

- Restrict traffic arriving on a routed port, destined to a particular address or subnet by applying an ACL that matches on a destination IP address or an IP address and a mask.
- Prevent an entire subnet from routing through a port by applying an ACL that matches on IP source address and a mask.



- Prevent certain protocols from using a particular multicast MAC address (advertising through a port) by applying an ACL that matches on the destination MAC address.
- Prevent any IP host from accessing a particular IP port/application on a specific server by applying an ACL that matches on IP addresses and Layer 4 port.



---

See also [ACL and Policy hardware resource considerations](#).

---

## ACL usage tips

When using the `access-list ip` or `access-list ipv6` commands, if you enter an existing `ACL-NAME`, the existing ACL is modified as follows:

- Any ACE entered with a new sequence-number creates an additional ACE.
- Any ACE entered with an existing sequence-number replaces the existing ACE.

If you modify an ACL that has already been applied, it is possible that packets, blocked by the previous ACL, will briefly pass through the switch during the ACL reconfiguration.



---

In a highly secure environment, it is safest to first bring down interfaces and VLANs to which an ACL has been applied before modifying the ACL. Then bring the targets of ACL application back up after completing the ACL modification. Respecting this recommendation ensures that an ACL is never partially programmed while traffic is passing through the switch.

---

### About applying ACLs to interfaces or LAGs

You can apply an ACL to an interface or LAG to affect or control the traffic arriving on that interface or LAG (inbound) or leaving the interface or LAG (outbound), or both. A given interface or LAG supports the application of a single ACL per type, per direction. ACLs can be applied to interfaces or LAGs as follows:

- One MAC ACL inbound
- One IPv4 ACL inbound
- One IPv4 ACL outbound
- One IPv6 ACL inbound

Different ACLs of the same type can be used in opposite directions for IPv4. If you apply an ACL of a particular type, in a direction that is already in use, the switch replaces the current ACL with the new ACL.

### About applying ACLs to VLANs

ACLs can be applied to VLANs only in the inbound (ingress) direction.

### Sequence numbering

If no sequence number is specified, the software appends new ACEs to the end of the ACL with a sequence number equal to the highest ACE currently in the list plus 10.

The sequence numbers may be resequenced using the `access-list resequence` command.

### Deny ACLs

If multiple ACLs of different types are applied in the same direction, a deny ACE, whether explicit or implicit, in one ACL overrides a permit ACL in another. A deny ACE is an ACE within an ACL that uses the `deny` action keyword.

## Denied ping requests

A ping request is denied when an ACL is applied on ingress or egress unless the request is explicitly permitted.

```
switch# ping 100.1.2.10
PING 100.1.2.10 (100.1.2.10) 100(128) bytes of data.
ping: sendmsg: Operation not permitted
ping: sendmsg: Operation not permitted
ping: sendmsg: Operation not permitted
ping: sendmsg: Operation not permitted
ping: sendmsg: Operation not permitted
```

## About address and port object groups

Object groups are useful for defining groups of IP addresses and Layer 4 ports for use exclusively in the two ACL-defining commands `access-list ip` and `access-list ipv6`.

Often, common groups of addresses and ports or port ranges are used repeatedly in many ACL definitions. Without address and port object groups, the same addresses and ports must be repeated in each ACL definition that uses them.

With address and port object groups, the IP addresses and ports can be defined once, using any of these commands:

- `object-group ip address`
- `object-group ipv6 address`
- `object-group port`

Once an object group is defined, the group is available for inclusion by name as the `<ADDRESS-GROUP>` and `<PORT-GROUP>` parameters in the `access-list ip` and `access-list ipv6` ACL-definition commands.

Object groups simplify the ACL definition process and help ensure consistent address and port specification across many ACLs.



---

Keep in mind that it is possible to consume many hardware resource entries when using the object group commands. For example, in a typical situation, an ACE that uses object groups with 3 source addresses, 3 source L4 ports, 3 destination addresses, and 3 destination L4 ports, a total of 81 hardware entries are consumed ( $3 * 3 * 3 * 3 = 81$ ).

---

## ACL and ACE-related tasks

Common ACL and ACE-related tasks are as follows:

Task	Command name	Example
Creating an IPv4 ACL	<code>access-list ip</code>	<pre>access-list ip MY_IP_ACL  10 permit udp any 172.16.1.0/24  20 permit tcp 172.16.2.0/16 gt 1023 any  30 deny any any any count</pre>

Task	Command name	Example
Creating an IPv6 ACL	<code>access-list ipv6</code>	<code>access-list ipv6 MY_IPV6_ACL 10 permit udp any 2001::1/64 20 permit tcp 2001:2011::1/64 any 30 deny any any any count</code>
Creating a MAC ACL	<code>access-list mac</code>	<code>access-list mac MY_MAC_ACL 10 permit any any appletalk vlan 40 20 deny any any any count</code>
Applying an IPv6 ACL to an interface	<code>apply access-list (to interface or LAG)</code>	<code>interface 1/1/1 apply access-list ipv6 MY_IPV6_ACL in</code>
Applying an IPv4 ACL to a LAG	<code>apply access-list (to interface or LAG)</code>	<code>interface lag 100 apply access-list ip MY_IP_ACL in</code>
Applying an IPv4 ACL to a VLAN	<code>apply access-list (to VLAN)</code>	<code>vlan 10 apply access-list ip MY_IP_ACL in</code>
Applying a MAC ACL to a VLAN	<code>apply access-list (to VLAN)</code>	<code>vlan 40 apply access-list mac MY_MAC_ACL in</code>
Applying an IPv4 ACL to the Control Plane (OOBM)	<code>apply access-list control-plane</code>	<code>apply access-list ip MY_IP_ACL control-plane vrf mgmt</code>
Removing application of an ACL from an interface	<code>apply access-list (to interface or LAG)</code>	<code>interface 1/1/1 no apply access-list ipv6 MY_IPV6_ACL in</code>
Removing application of an ACL from a VLAN	<code>apply access-list (to VLAN)</code>	<code>vlan 40 no apply access-list mac MY_MAC_ACL in</code>
Removing application of an ACL from the Control Plane (OOBM)	<code>apply access-list control-plane</code>	<code>no apply access-list ip MY_IP_ACL control-plane vrf mgmt</code>
Showing all ACLs	<code>show access-list</code>	<code>show access-list</code>
Showing all IPv6 ACLs	<code>show access-list</code>	<code>show access-list ipv6</code>
Showing all ACLs applied to interface 1/1/1	<code>show access-list</code>	<code>show access-list interface 1/1/1</code>
Showing all ACLs applied to VLAN 10	<code>show access-list</code>	<code>show access-list vlan 10</code>
Showing all ACLs applied to the Control Plane	<code>show access-list control-plane</code>	<code>show access-list control-plane</code>
Showing a particular ACL	<code>show access-list</code>	<code>show access-list ip MY_ACL</code>
Showing an ACL as commands	<code>show access-list</code>	<code>show access-list ip MY_ACL commands</code>
Showing ACL hit counts for an ACL applied to an interface	<code>show access-list hitcounts</code>	<code>show access-list hitcounts ip MY_ACL interface 1/1/1</code>

Task	Command name	Example
Showing ACL hit counts for an ACL applied to a VLAN	<code>show access-list hitcounts</code>	<code>show access-list hitcounts ip MY_ACL vlan 10</code>
Showing ACL hit counts for an ACL applied to the Control Plane	<code>show access-list hitcounts control-plane</code>	<code>show access-list hitcounts ip MY_ACL control-plane vrf mgmt</code>
Clearing ACL hit counts	<code>clear access-list hitcounts</code>	<code>clear access-list hitcounts ip MY_ACL vlan 10</code>
Clearing ACL hit counts for Control Plane	<code>clear access-list hitcounts control-plane</code>	<code>clear access-list hitcounts control-plane vrf mgmt</code>
Copying an ACL	<code>access-list copy</code>	<code>access-list ipv6 MY_IPV6_ACL copy MY_IPV6_ACL2</code>
Resequencing the ACEs of an ACL	<code>access-list resequence</code>	<code>access-list ip MY_IP_ACL resequence 1 1</code>
Resetting an ACL	<code>access-list reset</code>	<code>access-list ip MY_IP_ACL reset</code>
Setting the ACL log timer frequency	<code>access-list log-timer</code>	<code>access-list log-timer 30</code>

## Object group-related tasks

Object groups are useful for defining groups of addresses and ports for use exclusively in the two ACL-defining commands `access-list ip` and `access-list ipv6`.

Common object group-related tasks are as follows:

Task	Command name	Example
Creating an IPv4 address object group	<code>object-group ip address</code>	<code>object-group ip address my_ipv4_addr_group</code>
Creating an IPv6 address object group	<code>object-group ipv6 address</code>	<code>object-group ipv6 address my_ipv6_addr_group</code>
Creating a port object group	<code>object-group port</code>	<code>object-group port my_port_group</code>
Showing an IPv4 address object group	<code>show object-group</code>	<code>show object-group ip address my_ipv4_addr_group</code>
Showing all IPv6 address object groups	<code>show object-group</code>	<code>show object-group ipv6 address</code>

Task	Command name	Example
Showing a port object group	<code>show object-group</code>	<code>show object-group port my_port_group</code>
Showing all port object groups as commands	<code>show object-group</code>	<code>show object-group port commands</code>
Resequencing an IPv4 address object group	<code>object-group ip address</code>	<code>object-group ip address my_ipv4_addr_group resequence 100 10</code>
Resequencing a port object group	<code>object-group port</code>	<code>object-group port my_port_group resequence 200 5</code>
Resetting an IPv6 address object group	<code>object-group ipv6 address</code>	<code>object-group ipv6 address my_ipv6_addr_group reset</code>
Resetting a port object group	<code>object-group port</code>	<code>object-group port my_port_group reset</code>

## Active ACL configuration versus user-specified configuration

The `show access-list` command shows the active configuration of the switch. The active configuration is the ACLs that have been configured and accepted by the system. The active configurations are the interfaces on which the ACLs have successfully been programmed in the hardware.

The output of the `show access-list` command with the `configuration` parameter shows the ACLs that have been configured. The output of this command may not be the same as what was programmed in the hardware or what is active on the switch. The situation might occur because of one or more of the following:

- Unsupported command parameters might have been configured.
- Unsupported applications might have been specified.
- Applying an ACL might have been unsuccessful due to lack of hardware resources.

To determine if a discrepancy exists between what was configured and what is active, run the `show access-list` command with the `configuration` parameter.

If the active ACLs and configured ACLs are not the same, the switch shows a warning message in the output of the `show` command:

```
! access-list ip MY_IP_ACL user configuration does not match active configuration.
! run 'access-list TYPE NAME reset' to reset access-list to match active configuration.
```

If the configured ACL is processing, the switch shows an in-progress warning.

```
! access-list ip MY_IP_ACL user configuration currently being processed
! run 'access-list TYPE NAME reset' to reset access-list to match active configuration.
```

If the switch shows a warning message or in-progress message, additional changes can be made until the error message is no longer shown in the show command, or you can run the `access-list {all|ip <ACL-NAME>|ipv6 <ACL-NAME>|mac <ACL-NAME>} reset` command. The `access-list reset` command changes the user-specified configuration to match the active configuration. For details, see [access-list reset](#).



---

The `show running-config` command also shows a warning about ACLs that are in progress or failed.

---

## Examples

Applying an ACL with TCP acknowledgments (ACKs) on ingress, which is unsupported by the hardware:

```
switch(config-acl)# 10 permit tcp 172.16.2.0/16 any ack
```

Showing the user-specified configuration:

```
switch(config)# do show access-list ip TEST_ACL
  10 permit tcp 172.16.2.0/16 any ack
interface 1/1/1
! access-list ip TEST_ACL user configuration does not match active
configuration.
! run 'show access-list [commands]' to display active access-list configuration.
  apply access-list ip TEST_ACL in

switch(config)# do show access-list commands
access-list ip TEST_ACL
  10 permit tcp 172.16.2.0/16 any ack
! access-list ip TEST_ACL user configuration does not match active configuration.
! run 'access-list all reset' to reset all access-lists to match active
configuration.

switch(config)# do show access-list commands configuration
access-list ip TEST_ACL
  10 permit tcp 172.16.2.0/16 any ack
! access-list ip TEST_ACL user configuration does not match active configuration.
! run 'access-list all reset' to reset all access-lists to match active
configuration.
interface 1/1/1
  apply access-list ip TEST_ACL in

switch(config)# do show access-list
Type      Name
Sequence Comment
          Action          L3 Protocol
          Source IP Address Source L4 Port(s)
          Destination IP Address Destination L4 Port(s)
          Additional Parameters
-----
IPv4      TEST_ACL
          10 permit          tcp
          172.16.2.0/16
          any
          ack
```

Resetting the user-specified configuration to match the active configuration:

```
switch(config)# access-list all reset
```

Showing the updated user-specified configuration:

```
switch(config)# do show access-list commands configuration
access-list ip TEST_ACL
10 permit tcp 172.16.2.0/16 any ack
```

## ACL commands

### ACL application

ACLs can be applied as follows:

ACL type Direction	IPv4+6 In	IPv4 Out	IPv6 Out	MAC In
L2 interface (port)	Yes			Yes
L2 LAG	Yes			Yes
L3 interface (port)	Yes	Yes		Yes
L3 LAG	Yes	Yes		Yes
VLAN	Yes	Yes	Yes	Yes
Interface VLAN	Yes (routed)	Yes (routed)	Yes (routed)	
Management interface	Yes			
Control plane (per VRF)	Yes			

---

ACLs cannot match multicast packets on the routed in direction.

The following match criteria are not supported. If any of these match criteria are attempted to be configured, an error message will be displayed and the action will not be completed.

8320, 8325 Switch Series:

```
TCP flags CWR and ECE
TCP flags and TTL (hop limit) on IPv6 ACLs
TCP flags and fragment on outbound ACLs
Fragment on IPv6 VLAN ACLs
VLAN ID on VLAN ACLs
```

8320 Switch Series only:



```
IPv4 AH on inbound ACLs
IPv4 AH routed-inbound ACLs
IPv4 AH on outbound ACLs
IPv6 AH on outbound ACLs
IPv4 AH on routed-outbound ACLs
IPv6 AH on routed-outbound ACLs
```

8325 Switch Series only:

```
IPv4 AH on outbound ACLs
IPv6 AH on outbound ACLs
ESP on outbound ACLs
IPv4 AH on routed-outbound ACLs
IPv6 AH on routed-outbound ACLs
ESP on routed-outbound ACLs
```

To apply IPv4 and/or IPv6 ACLs to the management interface, apply them to the control plane on the management VRF.

---

## access-list log-timer

```
access-list log-timer {default|<INTERVAL>}
```

### Description

Sets the log timer interval for all ACEs that have the `log` parameter configured.

Parameter	Description
default	Resets the log timer to its default 300 seconds.
<INTERVAL>	Specifies the log timer interval in seconds. Range: 5 to 300.

### Usage

- ACL logging keeps a log of the number of packets matching this ACE. Works with `deny` actions but not with `permit` actions. Works with ACLs applied on ingress, except for control plane but not with ACLs applied on egress.
- The first packet that matches an ACE with the `log` parameter within an ACL log timer window (configured with the `access-list log-timer` command) has its header contents extracted and sent to the configured logging destination, such as the console and syslog server. Each time the ACL log timer



expires, a summary of all ACEs with `log` configured are sent to the logging destination. This capability allows throttling of logging ACL hits.

- If no further log messages are generated in the wait-period, the switch suspends the timer and resets itself to log as soon as a new match occurs.
- When using multiple ACL types (IPv4, IPv6, or MAC) with logging on the same interface, the first packet that matches an ACE with the `log` option is logged. Any packets, matching other ACL types, do not create a log until the log-timer wait-period is over. At the end of the wait-period, a summary log is made of all the ACLs that were matched, regardless of type.
- You may see a minor discrepancy between the ACL logging statistics and the hit counts statistics due to the time required to record the log message.

## Examples



---

Although these examples use debug logging, you can alternatively use event logging.

---

Enabling debug logging for the ACL logging module:

```
switch# debug acl log severity info
switch# show debug
-----
module sub_module severity vlan port ip mac instance vrf
-----
acl acl_log info -----
```

Setting the debug destination to console with the minimum security level of info:

```
switch# debug destination console severity info
switch# show debug destination
-----
show debug destination
-----
CONSOLE:info
```

Setting the access list log-timer to 30 seconds:

```
switch(config)# access-list log-timer 30
switch(config)# do show access-list log-timer
ACL log timer length (frequency): 30 seconds
```

Creating an IPv4 ACL with one entry with the log parameter:

```
switch(config)# access-list ip MY_IP_ACL
switch(config-acl-ip)# deny icmp 1.1.1.1 1.1.1.2 log
switch(config-acl-ip)# do show access-list
Type      Name
Sequence Comment
          Action                    L3 Protocol
          Source IP Address           Source L4 Port(s)
          Destination IP Address      Destination L4 Port(s)
          Additional Parameters
-----
IPv4      MY_IP_ACL
```

```

10 deny                                icmp
   1.1.1.1
   1.1.1.2
Logging: enabled
Hit-counts: enabled

```

Enabling interface 1/1/1 and applying the ACL:

```

switch(config)# interface 1/1/1
switch(config-if)# no shutdown
switch(config-if)# no routing
switch(config-if)# apply access-list ip MY_IP_ACL in
switch(config-if)# do show running-config interface 1/1/1
interface 1/1/1
  no shutdown
  apply access-list ip MY_IP_ACL in
  no routing
  vlan access 1
  exit

```

Sending packets that will match the ACE and observe the ACL logging message on the console:

```

2017-10-10T20:13:36.044+00:00 ops-switchd[875]: debug|LOG_INFO|AMM|1/5|ACL|ACL_LOG|
List MY_IP_ACL, seq# 10 denied icmp 1.1.1.1 -> 1.1.1.2 type 8 code 0,
on vlan 1, port 1/1/1, direction in

```

When the access list log-timer expires, the summary message is printed on the console. The number 30 is the number of packets received during the last access list log-timer window.

```

2017-10-10T20:14:06.051+00:00 ops-switchd[875]: debug|LOG_INFO|AMM|1/5|ACL|ACL_LOG|
MY_IP_ACL on 1/1/1 (in): 30 10 deny icmp 1.1.1.1 1.1.1.2 log count

```

Resetting the ACL log timer to the default value:

```

switch(config)# access-list log-timer default

```

## Command History

Release	Modification
10.09	<INTERVAL> parameter range changed to <b>5 to 300</b> . Was 30 to 300.
10.07 or earlier	--

## Command Information

Platforms	Command context	Authority
All platforms	config	Administrators or local user group members with execution rights for this command.

## access-list copy

```
access-list {ip|ipv6|mac} <ACL-NAME> copy <DESTINATION-ACL>
```

### Description

Copies an IPv4, IPv6, or MAC ACL to a new destination ACL or overwrites an existing ACL.

Parameter	Description
{ip ipv6 mac}	Specifies the type of ACL.
<ACL-NAME>	Specifies the name of the ACL to be copied.
<DESTINATION-ACL>	Specifies the name of the destination ACL.

### Examples

Copying MY\_IP\_ACL to MY\_IP\_ACL2:

```
switch(config)# access-list ip MY_IP_ACL copy MY_IP_ACL2
switch(config-acl-ip)# exit

switch(config)# do show access-list
Type      Name
Sequence  Comment
Action    L3 Protocol
Source IP Address Source L4 Port(s)
Destination IP Address Destination L4 Port(s)
Additional Parameters
-----
IPv4      MY_IP_ACL
1 permit  udp
   any
   172.16.1.0/255.255.255.0
2 permit  tcp
   172.16.2.0/255.255.0.0    > 1023
   any
3 permit  tcp
   172.26.1.0/255.255.255.0
   any
   dscp: AF11
   ack
   syn
4 deny    any
   any
   any
Hit-counts: enabled
-----
IPv4      MY_IP_ACL2
1 permit  udp
   any
   172.16.1.0/255.255.255.0
2 permit  tcp
   172.16.2.0/255.255.0.0    > 1023
   any
3 permit  tcp
   172.26.1.0/255.255.255.0
   any
   dscp: AF11
   ack
```

```

    syn
4 deny                               any
    any
    any
Hit-counts: enabled

```

### Copying MY\_IPV6\_ACL to MY\_IPV6\_ACL2:

```

switch(config)# access-list ipv6 MY_IPV6_ACL copy MY_IPV6_ACL2
switch(config-acl-ip)# exit

```

```

switch(config)# do show access-list

```

```

Type      Name
Sequence Comment
Action    L3 Protocol
Source IP Address Source L4 Port(s)
Destination IP Address Destination L4 Port(s)
Additional Parameters
-----

```

```

IPv6      MY_IPV6_ACL
1 permit                               udp
  any
  2001::1/64
2 Permit all TCP ephemeral ports
  permit                               tcp
  2001:2001::2:1                       > 1023
  any
3 permit                               tcp
  2001:2011::1/64
  any
4 deny                               any
  any
  any
Hit-counts: enabled
-----

```

```

IPv6      MY_IPV6_ACL2
1 permit                               udp
  any
  2001::1/64
2 Permit all TCP ephemeral ports
  permit                               tcp
  2001:2001::2:1                       > 1023
  any
3 permit                               tcp
  2001:2011::1/64
  any
4 deny                               any
  any
  any
Hit-counts: enabled

```

### Copying MY\_MAC\_ACL to MY\_MAC\_ACL2:

```

switch(config)# access-list mac MY_MAC_ACL copy MY_MAC_ACL2
switch(config-acl-mac)# exit

```

```

switch(config)# do show access-list

```

```

Type      Name
Sequence Comment

```

```

Action                                     EtherType
Source MAC Address
Destination MAC Address
Additional Parameters
-----
MAC      MY_MAC_ACL
1 permit                                     ipv6
  1122.3344.5566/ffff.ffff.0000
  any
2 permit                                     any
  aaaa.bbbb.cccc
  1111.2222.3333
  QoS Priority Code Point: 4
3 Permit all vlan-1 tagged Appletalk traffic
  permit                                     appletalk
  any
  any
  VLAN: 1
4 deny                                       any
  any
  any
  Hit-counts: enabled
-----
MAC      MY_MAC_ACL2
1 permit                                     ipv6
  1122.3344.5566/ffff.ffff.0000
  any
2 permit                                     any
  aaaa.bbbb.cccc
  1111.2222.3333
  QoS Priority Code Point: 4
3 Permit all vlan-1 tagged Appletalk traffic
  permit                                     appletalk
  any
  any
  VLAN: 1
4 deny                                       any
  any
  any
  Hit-counts: enabled

```

## Command History

Release	Modification
10.07 or earlier	--

## Command Information

Platforms	Command context	Authority
All platforms	config	Administrators or local user group members with execution rights for this command.

## access-list ip

Syntax to create an IPv4 ACL and enter its context. Plus syntax to remove an ACL:

```
access-list ip <ACL-NAME>
```

```
no access-list ip <ACL-NAME>
```

Syntax (within the ACL context) for creating or removing ACEs for protocols `ah`, `gre`, `esp`, `igmp`, `ospf`, `pim` (`ip` is available as an alias for `any`):

```
[<SEQUENCE-NUMBER>]
{permit|deny}
{any|ip|ah|gre|esp|igmp|ospf|pim|<IP-PROTOCOL-NUM>}
{any|<SRC-IP-ADDRESS>[/<PREFIX-LENGTH>|<SUBNET-MASK>]}|<ADDRESS-GROUP>}
{any|<DST-IP-ADDRESS>[/<PREFIX-LENGTH>|<SUBNET-MASK>]}|<ADDRESS-GROUP>}
[dscp <DSCP-SPECIFIER>] [ecn <ECN-VALUE>] [ip-precedence <IP-PRECEDENCE-VALUE>]
[tos <TOS-VALUE>] [fragment] [vlan <VLAN-ID>] [ttl <TTL-VALUE>] [count] [log]

no <SEQUENCE-NUMBER>
```

Syntax (within the ACL context) for creating or removing ACEs for protocols `sctp`, `tcp`, `udp`:

```
[<SEQUENCE-NUMBER>]
{permit|deny}
{sctp|tcp|udp}
{any|<SRC-IP-ADDRESS>[/<PREFIX-LENGTH>|<SUBNET-MASK>]}|<ADDRESS-GROUP>}
[{eq|gt|lt} <PORT>|range <MIN-PORT> <MAX-PORT>|group <PORT-GROUP>]
{any|<DST-IP-ADDRESS>[/<PREFIX-LENGTH>|<SUBNET-MASK>]}|<ADDRESS-GROUP>}
[{eq|gt|lt} <PORT>|range <MIN-PORT> <MAX-PORT>|group <PORT-GROUP>]
[urg] [ack] [psh] [rst] [syn] [fin] [established]
[dscp <DSCP-SPECIFIER>] [ecn <ECN-VALUE>] [ip-precedence <IP-PRECEDENCE-VALUE>]
[tos <TOS-VALUE>] [fragment] [vlan <VLAN-ID>] [ttl <TTL-VALUE>] [count] [log]

no <SEQUENCE-NUMBER>
```

Syntax (within the ACL context) for creating or removing ACEs for protocol `icmp`:

```
[<SEQUENCE-NUMBER>]
{permit|deny}
{icmp}
{any|<SRC-IP-ADDRESS>[/<PREFIX-LENGTH>|<SUBNET-MASK>]}|<ADDRESS-GROUP>}
{any|<DST-IP-ADDRESS>[/<PREFIX-LENGTH>|<SUBNET-MASK>]}|<ADDRESS-GROUP>}
[icmp-type {echo|echo-reply|<ICMP-TYPE-VALUE>}] [icmp-code <ICMP-CODE-VALUE>]
[dscp <DSCP-SPECIFIER>] [ecn <ECN-VALUE>] [ip-precedence <IP-PRECEDENCE-VALUE>]
[tos <TOS-VALUE>] [fragment] [vlan <VLAN-ID>] [ttl <TTL-VALUE>] [count] [log]

no <SEQUENCE-NUMBER>
```

Syntax (within the ACL context) for ACE comments:

```
[<SEQUENCE-NUMBER>] comment <TEXT-STRING>

no <SEQUENCE-NUMBER> comment
```

## Description

Creates an IPv4 Access Control List (ACL) comprised of one or more Access Control Entries (ACEs) ordered and prioritized by sequence number. The lowest sequence number is the highest prioritized ACE.

The `no` form of this command deletes the entire ACL, or deletes an ACE identified by sequence number, or deletes only the comment from the ACE identified by sequence number.

Parameter	Description
<ACL-NAME>	Specifies the name of this ACL.
<SEQUENCE-NUMBER>	Specifies a sequence number for the ACE. Range: 1 to 4294967295.
{permit deny}	Specifies whether to permit or deny traffic matching this ACE.

Parameter	Description
<code>&lt;IP-PROTOCOL-NUM&gt;</code>	Specifies the protocol as its Internet Protocol number. For example, 2 corresponds to the IGMP protocol. Range: 0 to 255.
<code>{any &lt;SRC-IP-ADDRESS&gt;[/ {&lt;PREFIX-LENGTH&gt; &lt;SUBNET-MASK&gt;}] &lt;ADDRESS-GROUP&gt;}</code>	Specifies the source IPv4 address. <ul style="list-style-type: none"> <li>any - specifies any source IPv4 address.</li> <li>&lt;SRC-IP-ADDRESS&gt; - specifies the source IPv4 host address. <ul style="list-style-type: none"> <li>&lt;PREFIX-LENGTH&gt; - specifies the address bits to mask (CIDR subnet mask notation). Range: 1 to 32.</li> <li>&lt;SUBNET-MASK&gt; - specifies the address bits to mask (dotted decimal notation).</li> </ul> </li> <li>&lt;ADDRESS-GROUP&gt; - specifies an IPv4 address group defined with <code>object-group ip address</code>.</li> </ul>
<code>{any &lt;DST-IP-ADDRESS&gt;[/ {&lt;PREFIX-LENGTH&gt; &lt;SUBNET-MASK&gt;}] &lt;ADDRESS-GROUP&gt;}</code>	Specifies the destination IPv4 address. <ul style="list-style-type: none"> <li>any - specifies any destination IPv4 address.</li> <li>&lt;DST-IP-ADDRESS&gt; - specifies the destination IPv4 host address. <ul style="list-style-type: none"> <li>&lt;PREFIX-LENGTH&gt; - specifies the address bits to mask (CIDR subnet mask notation). Range: 1 to 32.</li> <li>&lt;SUBNET-MASK&gt; - specifies the address bits to mask (dotted decimal notation).</li> </ul> </li> <li>&lt;ADDRESS-GROUP&gt; - specifies an IPv4 address group that you defined earlier with <code>object-group ip address</code>.</li> </ul>
<code>[{eq gt lt} &lt;PORT&gt; range &lt;MIN-PORT&gt;&lt;MAX-PORT&gt; group &lt;PORT-GROUP&gt;]</code>	Specifies the port, port range, or port group. Port numbers are in the range of 0 to 65535. <ul style="list-style-type: none"> <li>eq &lt;PORT&gt; - specifies the Layer 4 port.</li> <li>gt &lt;PORT&gt; - specifies any Layer 4 port greater than the indicated port.</li> <li>lt &lt;PORT&gt; - specifies any Layer 4 port less than the indicated port.</li> <li>range &lt;MIN-PORT&gt; &lt;MAX-PORT&gt; - specifies the Layer 4 port range.</li> <li>group &lt;PORT-GROUP&gt; - specifies the Layer 4 port group that you defined earlier with <code>object-group port</code>.</li> </ul> <p><b>NOTE:</b> Upon application of the ACL, ACEs with L4 port ranges may consume more than one hardware entry.</p>
urg	Specifies matching on the TCP Flag: Urgent. (Applies only to the "in" (ingress) direction.)
ack	Specifies matching on the TCP Flag: Acknowledgment. (Applies only to the "in" (ingress) direction.)
psh	Specifies matching on the TCP Flag: Push buffered data to receiving application. (Applies only to the "in" (ingress) direction.)
rst	Specifies matching on the TCP Flag: Reset the connection. (Applies only to the "in" (ingress) direction.)
syn	Specifies matching on the TCP Flag: Synchronize sequence numbers. (Applies only to the "in" (ingress) direction.)

Parameter	Description
fin	Specifies matching on the TCP Flag: <code>Finish</code> connection. (Applies only to the "in" (ingress) direction.)
established	Specifies matching on the TCP Flag: <code>Established</code> connection. (Applies only to the "in" (ingress) direction.)
[icmp-type {echo echo-reply <ICMP-TYPE-VALUE>}]	Specifies the ICMP type. <ul style="list-style-type: none"> <li>■ echo - specifies an ICMP echo request packet.</li> <li>■ echo-reply - specifies an ICMP echo reply packet.</li> <li>■ &lt;ICMP-TYPE-VALUE&gt; - specifies an ICMP type value. Range: 0 to 255.</li> </ul>
[icmp-code <ICMP-CODE-VALUE>]	Specifies the ICMP code value. Range: 0 to 255.
dscp <i>DSCP-SPECIFIER</i>	Specifies the Differentiated Services Code Point (DSCP), either a numeric <DSCP-VALUE> (0 to 63) or one of these keywords: <ul style="list-style-type: none"> <li>■ AF11 - DSCP 10 (Assured Forwarding Class 1, low drop probability)</li> <li>■ AF12 - DSCP 12 (Assured Forwarding Class 1, medium drop probability)</li> <li>■ AF13 - DSCP 14 (Assured Forwarding Class 1, high drop probability)</li> <li>■ AF21 - DSCP 18 (Assured Forwarding Class 2, low drop probability)</li> <li>■ AF22 - DSCP 20 (Assured Forwarding Class 2, medium drop probability)</li> <li>■ AF23 - DSCP 22 (Assured Forwarding Class 2, high drop probability)</li> <li>■ AF31 - DSCP 26 (Assured Forwarding Class 3, low drop probability)</li> <li>■ AF32 - DSCP 28 (Assured Forwarding Class 3, medium drop probability)</li> <li>■ AF33 - DSCP 30 (Assured Forwarding Class 3, high drop probability)</li> <li>■ AF41 - DSCP 34 (Assured Forwarding Class 4, low drop probability)</li> <li>■ AF42 - DSCP 36 (Assured Forwarding Class 4, medium drop probability)</li> <li>■ AF43 - DSCP 38 (Assured Forwarding Class 4, high drop probability)</li> <li>■ CS0 - DSCP 0 (Class Selector 0: Default)</li> <li>■ CS1 - DSCP 8 (Class Selector 1: Scavenger)</li> <li>■ CS2 - DSCP 16 (Class Selector 2: OAM)</li> <li>■ CS3 - DSCP 24 (Class Selector 3: Signaling)</li> <li>■ CS4 - DSCP 32 (Class Selector 4: Real time)</li> <li>■ CS5 - DSCP 40 (Class Selector 5: Broadcast video)</li> <li>■ CS6 - DSCP 48 (Class Selector 6: Network control)</li> <li>■ CS7 - DSCP 56 (Class Selector 7)</li> <li>■ EF - DSCP 46 (Expedited Forwarding)</li> </ul>
ecn <ECN-VALUE>	Specifies an Explicit Congestion Notification value. Range: 0 to 3.
ip-precedence <IP-PRECEDENCE-VALUE>	Specifies an IP precedence value. Range: 0 to 7.
tos <TOS-VALUE>	Specifies the Type of Service value. Range: 0 to 31.
fragment	Specifies a fragment packet.
vlan <VLAN-ID>	Specifies VLAN tag to match on. 802.1Q VLAN ID. <p><b>NOTE:</b> This parameter cannot be used in any ACL that will be applied to a VLAN.</p>



Parameter	Description
ttl <TTL-VALUE>	Specifies a time-to-live (hop limit) value. Range: 0 to 255.
count	Keeps the hit counts of the number of packets matching this ACE.
log	Keeps a log of the number of packets matching this ACE. Works with deny actions but not with permit actions. Works with ACLs applied on ingress, except for control plane but not with ACLs applied on egress.
[<SEQUENCE-NUMBER> comment <TEXT-STRING>	Adds a comment to an ACE. The no form removes only the comment from the ACE.

## Usage

- If the <IP-PROTOCOL-NUM> parameter is used instead of a protocol name, ensure that any needed ACE-definition parameters specific to the selected protocol are also provided.
- When using multiple ACL types (IPv4, IPv6, or MAC) with logging on the same interface, the first packet that matches an ACE with log option is logged. Until the log-timer wait-period is over, any packets matching other ACL types do not create a log. At the end of the wait-period, the switch creates a summary log for all the ACLs that were matched, regardless of type.

## Examples

Creating an IPv4 ACL with four entries:

```
switch(config)# access-list ip MY_IP_ACL
switch(config-acl-ip)# 10 permit udp any 172.16.1.0/24
switch(config-acl-ip)# 20 permit tcp 172.16.2.0/16 gt 1023 any
switch(config-acl-ip)# 30 permit tcp 172.26.1.0/24 any syn ack dscp 10
switch(config-acl-ip)# 40 deny any any any count
switch(config-acl-ip)# exit

switch(config)# show access-list
Type          Name
  Sequence    Comment
      Action
      Source IP Address
      Destination IP Address
      Additional Parameters
-----
IPv4          MY_IP_ACL
  10 permit
      any
      172.16.1.0/255.255.255.0
      udp
  20 permit
      172.16.2.0/255.255.0.0
      tcp
      > 1023
      any
  30 permit
      172.26.1.0/255.255.255.0
      tcp
      any
      dscp: AF11
      ack
      syn
  40 deny
      any
      any
      any
      Hit-counts: enabled
```

## Adding a comment to an existing IPv4 ACE:

```
switch(config)# access-list ip MY_IP_ACL
switch(config-acl-ip)# 20 comment Permit all TCP ephemeral ports
switch(config-acl-ip)# exit

switch(config)# show access-list
Type          Name
  Sequence    Comment
            Action                L3 Protocol
            Source IP Address     Source L4 Port(s)
            Destination IP Address Destination L4 Port(s)
            Additional Parameters
-----
IPv4          MY_IP_ACL
  10 permit                    udp
    any
    172.16.1.0/255.255.255.0
  20 Permit all TCP ephemeral ports
    permit                    tcp
    172.16.2.0/255.255.0.0     > 1023
    any
  30 permit                    tcp
    172.26.1.0/255.255.255.0
    any
    dscp: AF11
    ack
    syn
  40 deny                      any
    any
    any
    Hit-counts: enabled
```

## Removing a comment from an existing IPv4 ACE:

```
switch(config)# access-list ip MY_IP_ACL
switch(config-acl-ip)# no 20 comment
switch(config-acl-ip)# exit

switch(config)# show access-list
Type          Name
  Sequence    Comment
            Action                L3 Protocol
            Source IP Address     Source L4 Port(s)
            Destination IP Address Destination L4 Port(s)
            Additional Parameters
-----
IPv4          MY_IP_ACL
  10 permit                    udp
    any
    172.16.1.0/255.255.255.0
  20 permit                    tcp
    172.16.2.0/255.255.0.0     > 1023
    any
  30 permit                    tcp
    172.26.1.0/255.255.255.0
    any
    dscp: AF11
    ack
    syn
```

```

40 deny
   any
   any
Hit-counts: enabled

```

Adding an ACE (insert line 25) to an existing IPv4 ACL:

```

switch(config)# access-list ip MY_IP_ACL
switch(config-acl-ip)# 25 permit icmp 172.16.2.0/16 any
switch(config-acl-ip)# exit

switch(config)# show access-list
Type      Name
Sequence Comment
          Action                L3 Protocol
          Source IP Address      Source L4 Port(s)
          Destination IP Address  Destination L4 Port(s)
          Additional Parameters
-----
IPv4      MY_IP_ACL
10 permit
   any
   172.16.1.0/255.255.255.0
20 permit
   172.16.2.0/255.255.0.0
   any
25 permit
   172.16.2.0/255.255.0.0 any
30 permit
   172.26.1.0/255.255.255.0
   any
   dscp: AF11
   ack
   syn
40 deny
   any
   any
Hit-counts: enabled

```

Replacing an ACE in an existing IPv4 ACL:

```

switch(config)# access-list ip MY_IP_ACL
switch(config-acl-ip)# 25 permit icmp 172.17.1.0/16 any
switch(config-acl-ip)# exit

switch(config)# show access-list
Type      Name
Sequence Comment
          Action                L3 Protocol
          Source IP Address      Source L4 Port(s)
          Destination IP Address  Destination L4 Port(s)
          Additional Parameters
-----
IPv4      MY_IP_ACL
10 permit
   any
   172.16.1.0/255.255.255.0
20 permit

```

```

172.16.2.0/255.255.0.0      > 1023
any
25 permit                  icmp
172.17.1.0/255.255.0.0
30 permit                  tcp
172.26.1.0/255.255.255.0
any
dscp: AF11
ack
syn
40 deny                    any
any
any
Hit-counts: enabled

```

### Removing an ACE from an IPv4 ACL:

```

switch(config)# access-list ip MY_IP_ACL
switch(config-acl-ip)# no 25
switch(config-acl-ip)# exit

switch(config)# show access-list
Type      Name
Sequence  Comment
Action
Source IP Address      L3 Protocol
Destination IP Address Source L4 Port(s)
Additional Parameters  Destination L4 Port(s)
-----
IPv4      MY_IP_ACL
10 permit                  udp
   any
   172.16.1.0/255.255.255.0
20 permit                  tcp
   172.16.2.0/255.255.0.0    > 1023
   any
30 permit                  tcp
   172.26.1.0/255.255.255.0
   any
   dscp: AF11
   ack
   syn
40 deny                    any
   any
   any
Hit-counts: enabled

```

### Copy an IPv4 ACL:

```

switch(config)# access-list ip MY_IP_ACL copy MY_IP_ACL2
switch(config)# show access-list
Type      Name
Sequence  Comment
Action
Source IP Address      L3 Protocol
Destination IP Address Source L4 Port(s)
Additional Parameters  Destination L4 Port(s)
-----

```

```

IPv4      MY_IP_ACL
10      permit
        any
        172.16.1.0/255.255.255.0
20      permit
        172.16.2.0/255.255.0.0
        any
        tcp
        > 1023
30      permit
        172.26.1.0/255.255.255.0
        any
        dscp: AF11
        ack
        syn
        tcp
40      deny
        any
        any
        Hit-counts: enabled
-----
IPv4      MY_IP_ACL2
10      permit
        any
        172.16.1.0/255.255.255.0
20      permit
        172.16.2.0/255.255.0.0
        any
        tcp
        > 1023
30      permit
        172.26.1.0/255.255.255.0
        any
        dscp: AF11
        ack
        syn
        tcp
40      deny
        any
        any
        Hit-counts: enabled

```

### Removing an IPv4 ACL:

```

switch(config)# no access-list ip MY_IP_ACL

switch(config)# show access-list
Type      Name
Sequence  Comment
          Action
          Source IP Address
          Destination IP Address
          Additional Parameters
-----
IPv4      MY_IP_ACL2
1 permit
  any
  172.16.1.0/255.255.255.0
          L3 Protocol
          Source L4 Port(s)
          Destination L4 Port(s)

```

```

2 permit          tcp
  172.16.2.0/255.255.0.0
  any             > 1023
3 permit          tcp
  172.26.1.0/255.255.255.0
  any
  dscp: AF11
  ack
  syn
4 deny            any
  any
  any
Hit-counts: enabled

```

## Command History

Release	Modification
10.07 or earlier	--

## Command Information

Platforms	Command context	Authority
All platforms	config The access-list ip <ACL-NAME> command takes you into the named ACL context where you enter the ACEs.	Administrators or local user group members with execution rights for this command.

## access-list ipv6

Syntax to create an IPv6 ACL and enter its context. Plus syntax to remove an ACL:

```

access-list ipv6 <ACL-NAME>
no access-list ipv6 <ACL-NAME>

```

Syntax (within the ACL context) for creating or removing ACEs for protocols ah, gre, esp, ospf, pim (ipv6 is available as an alias for any):

```

[<SEQUENCE-NUMBER>]
{permit|deny}
{any|ipv6|ah|gre|esp|ospf|pim|<IP-PROTOCOL-NUM>}
{any|<SRC-IP-ADDRESS>[/<PREFIX-LENGTH>]|<ADDRESS-GROUP>}
{any|<DST-IP-ADDRESS>[/<PREFIX-LENGTH>]|<ADDRESS-GROUP>}
[dscp <DSCP-SPECIFIER>] [ecn <ECN-VALUE>] [ip-precedence <IP-PRECEDENCE-VALUE>]
[tos <TOS-VALUE>] [fragment] [vlan <VLAN-ID>] [ttl <TTL-VALUE>] [count] [log]

```

```
no <SEQUENCE-NUMBER>
```

Syntax (within the ACL context) for creating or removing ACEs for protocols sctp, tcp, udp:

```

[<SEQUENCE-NUMBER>]
{permit|deny}
{sctp|tcp|udp}
{any|<SRC-IP-ADDRESS>[/<PREFIX-LENGTH>]|<ADDRESS-GROUP>}
[{eq|gt|lt} <PORT>|range <MIN-PORT> <MAX-PORT>|group <PORT-GROUP>]
{any|<DST-IP-ADDRESS>[/<PREFIX-LENGTH>]|<ADDRESS-GROUP>}
[{eq|gt|lt} <PORT>|range <MIN-PORT> <MAX-PORT>|group <PORT-GROUP>]
[urg] [ack] [psh] [rst] [syn] [fin] [established]
[dscp <DSCP-SPECIFIER>] [ecn <ECN-VALUE>] [ip-precedence <IP-PRECEDENCE-VALUE>]

```

```
[tos <TOS-VALUE>] [fragment] [vlan <VLAN-ID>] [ttl <TTL-VALUE>] [count] [log]
```

```
no <SEQUENCE-NUMBER>
```

Syntax (within the ACL context) for creating or removing ACEs for protocol icmpv6:

```
[<SEQUENCE-NUMBER>]
{permit|deny}
{icmpv6}
{any|<SRC-IP-ADDRESS>[/<PREFIX-LENGTH>]|<ADDRESS-GROUP>}
{any|<DST-IP-ADDRESS>[/<PREFIX-LENGTH>]|<ADDRESS-GROUP>}
[icmp-type {echo|echo-reply|<ICMP-TYPE-VALUE>}] [icmp-code <ICMP-CODE-VALUE>]
[dscp <DSCP-SPECIFIER>][ecn <ECN-VALUE>] [ip-precedence <IP-PRECEDENCE-VALUE>]
[tos <TOS-VALUE>] [fragment] [vlan <VLAN-ID>] [ttl <TTL-VALUE>] [count] [log]
```

```
no <SEQUENCE-NUMBER>
```

Syntax (within the ACL context) for ACE comments:

```
[<SEQUENCE-NUMBER>] comment <TEXT-STRING>
```

```
no <SEQUENCE-NUMBER> comment
```

## Description

Creates an IPv6 Access Control List (ACL). The ACL is made of one or more Access Control Entries (ACEs) ordered and prioritized by sequence number. The lowest sequence number is the highest prioritized ACE.

The `no` form of this command deletes the entire ACL, or deletes an ACE identified by sequence number, or deletes only the comment from the ACE identified by sequence number.

Parameter	Description
<ACL-NAME>	Specifies the name of this ACL.
<SEQUENCE-NUMBER>	Specifies a sequence number for the ACE. Range: 1 to 4294967295.
{permit deny}	Specifies whether to permit or deny traffic matching this ACE.
<IP-PROTOCOL-NUM>	Specifies the protocol as its Internet Protocol number. For example, 2 corresponds to the IGMP protocol. Range: 0 to 255.
{any <SRC-IP-ADDRESS>[/<PREFIX-LENGTH>] <ADDRESS-GROUP>}	Specifies the source IPv6 address. <ul style="list-style-type: none"> <li>■ any - specifies any source IPv6 address.</li> <li>■ &lt;SRC-IP-ADDRESS&gt; - specifies the source IPv6 host address. <ul style="list-style-type: none"> <li>○ &lt;PREFIX-LENGTH&gt; - specifies the address bits to mask (CIDR subnet mask notation). Range: 1 to 128.</li> </ul> </li> <li>■ &lt;ADDRESS-GROUP&gt; - specifies an IPv6 address group that you defined earlier with <code>object-group ipv6 address</code>.</li> </ul>
{any <DST-IP-ADDRESS>[/<PREFIX-LENGTH>] <ADDRESS-GROUP>}	Specifies the destination IPv6 address. <ul style="list-style-type: none"> <li>■ any - specifies any destination IPv6 address.</li> <li>■ &lt;DST-IP-ADDRESS&gt; - specifies the destination IPv6 host address. <ul style="list-style-type: none"> <li>○ &lt;PREFIX-LENGTH&gt; - specifies the address bits to mask (CIDR subnet mask notation). Range: 1 to 128.</li> </ul> </li> </ul>

Parameter	Description
	<ul style="list-style-type: none"> <li>■ <code>&lt;ADDRESS-GROUP&gt;</code> - specifies an IPv6 address group that you defined earlier with <code>object-group ipv6 address</code>.</li> </ul>
<pre>[{eq gt lt} &lt;PORT&gt; range &lt;MIN-PORT&gt;&lt;MAX-PORT&gt; group &lt;PORT-GROUP&gt;]</pre>	<p>Specifies the port, port range, or port group. Port numbers are in the range of 0 to 65535.</p> <ul style="list-style-type: none"> <li>■ <code>eq &lt;PORT&gt;</code> - specifies the Layer 4 port.</li> <li>■ <code>gt &lt;PORT&gt;</code> - specifies any Layer 4 port greater than the indicated port.</li> <li>■ <code>lt &lt;PORT&gt;</code> - specifies any Layer 4 port less than the indicated port.</li> <li>■ <code>range &lt;MIN-PORT&gt; &lt;MAX-PORT&gt;</code> - specifies the Layer 4 port range.</li> <li>■ <code>group &lt;PORT-GROUP&gt;</code> - specifies the Layer 4 port group that you defined earlier with <code>object-group port</code>.</li> </ul> <p><b>NOTE:</b> Upon application of the ACL, ACEs with L4 port ranges may consume more than one hardware entry.</p>
<pre>urg, ack, psh, rst, syn, fin, established</pre>	<p>These TCP flag-matching parameters are not supported.</p>
<pre>[icmp-type {echo echo-reply &lt;ICMP-TYPE-VALUE&gt;}]</pre>	<p>Specifies the ICMP type.</p> <ul style="list-style-type: none"> <li>■ <code>echo</code> - specifies an ICMP echo request packet.</li> <li>■ <code>echo-reply</code> - specifies an ICMP echo reply packet.</li> <li>■ <code>&lt;ICMP-TYPE-VALUE&gt;</code> - specifies an ICMP type value. Range: 0 to 255.</li> </ul>
<pre>[icmp-code &lt;ICMP-CODE-VALUE&gt;]</pre>	<p>Specifies the ICMP code value. Range: 0 to 255.</p>
<pre>dscp &lt;DSCP-SPECIFIER&gt;</pre>	<p>Specifies the Differentiated Services Code Point (DSCP), either a numeric <code>&lt;DSCP-VALUE&gt;</code> (0 to 63) or one of these keywords:</p> <ul style="list-style-type: none"> <li>■ <code>AF11</code> - DSCP 10 (Assured Forwarding Class 1, low drop probability)</li> <li>■ <code>AF12</code> - DSCP 12 (Assured Forwarding Class 1, medium drop probability)</li> <li>■ <code>AF13</code> - DSCP 14 (Assured Forwarding Class 1, high drop probability)</li> <li>■ <code>AF21</code> - DSCP 18 (Assured Forwarding Class 2, low drop probability)</li> <li>■ <code>AF22</code> - DSCP 20 (Assured Forwarding Class 2, medium drop probability)</li> <li>■ <code>AF23</code> - DSCP 22 (Assured Forwarding Class 2, high drop probability)</li> <li>■ <code>AF31</code> - DSCP 26 (Assured Forwarding Class 3, low drop probability)</li> <li>■ <code>AF32</code> - DSCP 28 (Assured Forwarding Class 3, medium drop probability)</li> </ul>



Parameter	Description
	<ul style="list-style-type: none"> <li>■ AF33 - DSCP 30 (Assured Forwarding Class 3, high drop probability)</li> <li>■ AF41 - DSCP 34 (Assured Forwarding Class 4, low drop probability)</li> <li>■ AF42 - DSCP 36 (Assured Forwarding Class 4, medium drop probability)</li> <li>■ AF43 - DSCP 38 (Assured Forwarding Class 4, high drop probability)</li> <li>■ CS0 - DSCP 0 (Class Selector 0: Default)</li> <li>■ CS1 - DSCP 8 (Class Selector 1: Scavenger)</li> <li>■ CS2 - DSCP 16 (Class Selector 2: OAM)</li> <li>■ CS3 - DSCP 24 (Class Selector 3: Signaling)</li> <li>■ CS4 - DSCP 32 (Class Selector 4: Real time)</li> <li>■ CS5 - DSCP 40 (Class Selector 5: Broadcast video)</li> <li>■ CS6 - DSCP 48 (Class Selector 6: Network control)</li> <li>■ CS7 - DSCP 56 (Class Selector 7)</li> <li>■ EF - DSCP 46 (Expedited Forwarding)</li> </ul>
ecn <ECN-VALUE>	Specifies an Explicit Congestion Notification value. Range: 0- 3.
ip-precedence <IP-PRECEDENCE-VALUE>	Specifies an IP precedence value. Range: 0-7.
tos <TOS-VALUE>	Specifies the Type of Service value. Range: 0-31.
fragment	Not supported.
vlan <VLAN-ID>	Not supported.
ttl <TTL-VALUE>	Not supported.
count	Keeps the hit counts of the number of packets matching this ACE.
log	Keeps a log of the number of packets matching this ACE. Works with deny actions but not with permit actions. Works with ACLs applied on ingress, except for control plane but not with ACLs applied on egress.
[<SEQUENCE-NUMBER>] comment <TEXT-STRING>	Adds a comment to an ACE. The no form removes only the comment from the ACE.

## Usage

- If the <IP-PROTOCOL-NUM> parameter is used instead of a protocol name, ensure that any needed ACE-definition parameters specific to the selected protocol are also provided.
- When using multiple ACL types (IPv4, IPv6, or MAC) with logging on the same interface, the first packet that matches an ACE with log option is logged. Until the log-timer wait-period is over, any packets matching other ACL types do not create a log. At the end of the wait-period, the switch creates a summary log all the ACLs that were matched, regardless of type.

## Examples

Creating an IPv6 ACL with four entries:

```

switch(config)# access-list ipv6 MY_IPV6_ACL
switch(config-acl-ipv6)# 10 permit udp any 2001::1/64
switch(config-acl-ipv6)# 20 permit tcp 2001:2001::2:1/128 gt 1023 any
switch(config-acl-ipv6)# 30 permit tcp 2001:2011::1/64 any
switch(config-acl-ipv6)# 40 deny any any any count
switch(config-acl-ipv6)# exit

switch(config)# do show access-list
Type          Name
  Sequence Comment
    Action          L3 Protocol
  Source IP Address Source L4 Port(s)
  Destination IP Address Destination L4 Port(s)
  Additional Parameters
-----
IPv6          MY_IPV6_ACL
  10 permit          udp
    any
    2001::1/64
  20 permit          tcp
    2001:2001::2:1 > 1023
    any
  30 permit          tcp
    2001:2011::1/64
    any
  40 deny            any
    any
    any
Hit-counts: enabled

```

Adding a comment to an existing IPv6 ACE:

```

switch(config)# access-list ipv6 MY_IPV6_ACL
switch(config-acl-ipv6)# 20 comment Permit all TCP ephemeral ports
switch(config-acl-ipv6)# exit

switch(config)# do show access-list
Type          Name
  Sequence Comment
    Action          L3 Protocol
  Source IP Address Source L4 Port(s)
  Destination IP Address Destination L4 Port(s)
  Additional Parameters
-----
IPv6          MY_IPV6_ACL
  10 permit          udp
    any
    2001::1/64
  20 Permit all TCP ephemeral ports
    permit          tcp
    2001:2001::2:1 > 1023
    any
  30 permit          tcp
    2001:2011::1/64
    any
  40 deny            any
    any
    any
Hit-counts: enabled

```

Removing a comment from an existing IPv6 ACE:

```

switch(config)# access-list ipv6 MY_IPV6_ACL
switch(config-acl-ipv6)# no 20 comment
switch(config-acl-ipv6)# exit

switch(config)# do show access-list
Type          Name
  Sequence Comment
           Action                L3 Protocol
           Source IP Address      Source L4 Port(s)
           Destination IP Address  Destination L4 Port(s)
           Additional Parameters
-----
IPv6          MY_IPV6_ACL
  10 permit                udp
    any
    2001::1/64
  20 permit                tcp
    2001:2001::2:1          > 1023
    any
  30 permit                tcp
    2001:2011::1/64
    any
  40 deny                  any
    any
    any
    Hit-counts: enabled

```

Adding an ACE to an existing IPv6 ACL:

```

switch(config)# access-list ipv6 MY_IPV6_ACL
switch(config-acl-ipv6)# 25 permit icmpv6 2001::1/64 any
switch(config-acl-ipv6)# exit

switch(config)# do show access-list
Type          Name
  Sequence Comment
           Action                L3 Protocol
           Source IP Address      Source L4 Port(s)
           Destination IP Address  Destination L4 Port(s)
           Additional Parameters
-----
IPv6          MY_IPV6_ACL
  10 permit                udp
    any
    2001::1/64
  20 permit                tcp
    2001:2001::2:1          > 1023
    any
  25 permit                icmpv6
    2001::1/64
    any
  30 permit                tcp
    2001:2011::1/64
    any
  40 deny                  any
    any
    any
    Hit-counts: enabled

```

Replacing an ACE in an existing IPv6 ACL:

```

switch(config)# access-list ipv6 MY_IPV6_ACL
switch(config-acl-ipv6)# 25 permit icmpv6 2001::2:1/64 any
switch(config-acl-ipv6)# exit

switch(config)# do show access-list
Type          Name
  Sequence Comment
           Action                L3 Protocol
           Source IP Address      Source L4 Port(s)
           Destination IP Address  Destination L4 Port(s)
           Additional Parameters
-----
IPv6          MY_IPV6_ACL
  10 permit                udp
    any
    2001::1/64
  20 permit                tcp
    2001:2001::2:1
    any                    > 1023
  25 permit                icmpv6
    2001::2:1/64
    any
  30 permit                tcp
    2001:2011::1/64
    any
  40 deny                  any
    any
    any
    Hit-counts: enabled

```

#### Removing an ACE from an IPv6 ACL:

```

switch(config)# access-list ipv6 MY_IPV6_ACL
switch(config-acl-ipv6)# no 25
switch(config-acl-ipv6)# exit

switch(config)# do show access-list
Type          Name
  Sequence Comment
           Action                L3 Protocol
           Source IP Address      Source L4 Port(s)
           Destination IP Address  Destination L4 Port(s)
           Additional Parameters
-----
IPv6          MY_IPV6_ACL
  10 permit                udp
    any
    2001::1/64
  20 permit                tcp
    2001:2001::2:1
    any                    > 1023
  30 permit                tcp
    2001:2011::1/64
    any
  40 deny                  any
    any
    any
    Hit-counts: enabled

```

#### Removing an IPv6 ACL:

```

switch(config)# no access-list ipv6 MY_IPV6_ACL

switch(config)# do show access-list
Type      Name
Sequence  Comment
Action                                         L3 Protocol
Source IP Address                           Source L4 Port(s)
Destination IP Address                       Destination L4 Port(s)
Additional Parameters

-----
IPv6      MY_IPV6_ACL2
1 permit any 2001::1/64                               udp
2 Permit all TCP ephemeral ports
  permit 2001:2001::2:1                          > 1023    tcp
  any
3 permit 2001:2011::1/64                          tcp
  any
4 deny any any
  any
Hit-counts: enabled

```

## Command History

Release	Modification
10.07 or earlier	--

## Command Information

Platforms	Command context	Authority
All platforms	config The access-list ipv6 <ACL-NAME> command takes you into the named ACL context where you enter the ACEs.	Administrators or local user group members with execution rights for this command.

## access-list mac

```

access-list mac <ACL-NAME>
no access-list mac <ACL-NAME>

```

```

[<SEQUENCE-NUMBER>]
{permit|deny}
{any|<SRC-MAC-ADDRESS>[/<ETHERNET-MASK>]}
{any|<DST-MAC-ADDRESS>[/<ETHERNET-MASK>]}
{any|arp|appletalk|arp|fcoe|fcoe-init|ip|ipv6|
  ipx-arp|ipx-non-arp|is-is|lldp|mpls-multicast|mpls-unicast|q-in-q|
  rbridge|trill|wake-on-lan|<NUMERIC-ETHERTYPE>}
[pcp <PCP-VALUE>] [vlan <VLAN-ID>] [count] [log]
no <SEQUENCE-NUMBER>

```

```
[<SEQUENCE-NUMBER>] comment <TEXT-STRING>
no <SEQUENCE-NUMBER> comment
```

## Description

Creates a MAC Access Control List (ACL). The ACL is made of one or more Access Control Entries (ACEs) ordered and prioritized by sequence numbers. The lowest sequence number is the highest prioritized ACE. The `no` form of this command deletes the entire ACL, or deletes an ACE identified by sequence number, or deletes only the comment from the ACE identified by sequence number.

Parameter	Description
<code>&lt;ACL-NAME&gt;</code>	Specifies the name of this ACL.
<code>&lt;SEQUENCE-NUMBER&gt;</code>	Specifies a sequence number for the ACE. Range: 1 to 4294967295.
<code>{permit deny}</code>	Specifies whether to permit or deny traffic matching this ACE.
<code>comment</code>	Specifies storing the remaining entered text as an ACE comment.
<code>{any &lt;SRC-MAC-ADDRESS&gt;[/&lt;ETHERNET-MASK&gt;]}</code>	Specifies the source host MAC address (xxxx.xxxx.xxxx), OUI, or the keyword <code>any</code> . You can optionally include the following: <code>&lt;ETHERNET-MASK&gt;</code> - The address bits to mask (xxxx.xxxx.xxxx).
<code>{any &lt;DST-MAC-ADDRESS&gt;[/&lt;ETHERNET-MASK&gt;]}</code>	Specifies the destination host MAC address (xxxx.xxxx.xxxx), OUI, or the keyword <code>any</code> . You can optionally include the following: <code>&lt;ETHERNET-MASK&gt;</code> - The address bits to mask (xxxx.xxxx.xxxx).
<code>{any arp appletalk  ...  wake-on-lan &lt;NUMERIC-ETHERTYPE&gt;</code>	Specifies the protocol encapsulated in the Ethernet frame. The encapsulated protocol is identified by the EtherType Ethernet field. The EtherType is specified in one of the following three ways: <ul style="list-style-type: none"> <li>■ <code>any</code> - any EtherType.</li> <li>■ <code>&lt;NUMERIC-ETHERTYPE&gt;</code> - the numerical EtherType protocol number. Range: 0x600 to 0xffff.</li> <li>■ One of these EtherType protocol name keywords: <ul style="list-style-type: none"> <li>○ <code>arp</code></li> <li>○ <code>appletalk</code></li> <li>○ <code>arp</code></li> <li>○ <code>fcoe</code></li> <li>○ <code>fcoe-init</code></li> <li>○ <code>ip</code></li> <li>○ <code>ipv6</code></li> <li>○ <code>ipx-arpa</code></li> <li>○ <code>ipx-non-arpa</code></li> <li>○ <code>is-is</code></li> <li>○ <code>lldp</code></li> <li>○ <code>mpls-multicast</code></li> <li>○ <code>mpls-unicast</code></li> <li>○ <code>q-in-q</code></li> </ul> </li> </ul>

Parameter	Description
	<ul style="list-style-type: none"> <li>◦ rbridge</li> <li>◦ trill</li> <li>◦ wake-on-lan</li> </ul>
pcp <PCP-VALUE>	Specifies 802.1Q QoS Priority Code Point value. Range: 0 to 7.
vlan <VID>	Specifies a VLAN ID. The VLAN ID must exist. <b>NOTE:</b> This parameter cannot be used in any ACL that will be applied to a VLAN.
count	Keeps the hit counts of the number of packets matching this ACE.
log	Keeps a log of the number of packets matching this ACE. Works with deny actions but not with permit actions. Works with ACLs applied on ingress but not with ACLs applied on egress.

## Usage

When using multiple ACL types (IPv4, IPv6, or MAC) with logging on the same interface, the first packet that matches an ACE with log option is logged. Until the log-timer wait-period is over, any packets matching other ACL types do not create a log. At the end of the wait-period, the switch creates a summary log all the ACLs that were matched, regardless of type.

## Examples

Creating a MAC ACL with four entries:

```
switch(config)# access-list mac MY_MAC_ACL
switch(config-acl-ip)# 10 permit 1122.3344.5566/ffff.ffff.0000 any ipv6
switch(config-acl-ip)# 20 permit aaaa.bbbb.cccc 1111.2222.3333 any pcp 4
switch(config-acl-ip)# 30 permit any any appletalk vlan 40
switch(config-acl-ip)# 40 deny any any any count
switch(config-acl-ip)# exit

switch(config)# do show access-list
Type      Name
Sequence Comment
          Action                EtherType
          Source MAC Address
          Destination MAC Address
          Additional Parameters
-----
MAC      MY_MAC_ACL
10 permit 1122.3344.5566/ffff.ffff.0000    ipv6
   any
20 permit aaaa.bbbb.cccc 1111.2222.3333    any
   QoS Priority Code Point: 4
30 permit any any appletalk                appletalk
   any
   any
   VLAN: 40
```

```

40 deny                                any
   any
   any
Hit-counts: enabled

```

### Adding a comment to an existing MAC ACE:

```

switch(config)# access-list mac MY_MAC_ACL
switch(config-acl-ip)# 30 comment Permit all vlan-40 tagged Appletalk traffic
switch(config-acl-ip)# exit

```

```

switch(config)# do show access-list
Type      Name
Sequence  Comment
          Action                      EtherType
          Source MAC Address
          Destination MAC Address
          Additional Parameters
-----
MAC       MY_MAC_ACL
10 permit                                ipv6
   1122.3344.5566/ffff.ffff.0000
   any
20 permit                                any
   aaaa.bbbb.cccc
   1111.2222.3333
   QoS Priority Code Point: 4
30 Permit all vlan-40 tagged Appletalk traffic
   permit                                appletalk
   any
   any
   VLAN: 40
40 deny                                any
   any
   any
Hit-counts: enabled

```

### Removing a comment from an existing MAC ACE:

```

switch(config)# access-list mac MY_MAC_ACL
switch(config-acl-mac)# no 30 comment
switch(config-acl-mac)# exit

```

```

switch(config)# do show access-list
Type      Name
Sequence  Comment
          Action                      EtherType
          Source MAC Address
          Destination MAC Address
          Additional Parameters
-----
MAC       MY_MAC_ACL
10 permit                                ipv6
   1122.3344.5566/ffff.ffff.0000
   any
20 permit                                any
   aaaa.bbbb.cccc
   1111.2222.3333
   QoS Priority Code Point: 4

```



```

30 permit                               appletalk
   any
   any
   VLAN: 1
40 deny                                  any
   any
   any
Hit-counts: enabled

```

### Adding an ACE to an existing MAC ACL:

```

switch(config)# access-list mac MY_MAC_ACL
switch(config-acl-ip)# 35 permit any aabb.cc11.1234 0xffee
switch(config-acl-ip)# exit

```

```

switch(config)# do show access-list

```

```

Type      Name
Sequence  Comment
          Action                               EtherType
          Source MAC Address
          Destination MAC Address
          Additional Parameters
-----

```

```

MAC      MY_MAC_ACL
10 permit                               ipv6
   1122.3344.5566/ffff.ffff.0000
   any
20 permit                                  any
   aaaa.bbbb.cccc
   1111.2222.3333
   QoS Priority Code Point: 4
30 permit                               appletalk
   any
   any
   VLAN: 1
35 permit                                  0xffee
   any
   aabb.cc11.1234
40 deny                                  any
   any
   any
Hit-counts: enabled

```

### Replacing an ACE in an existing MAC ACL:

```

switch(config)# access-list mac MY_MAC_ACL
switch(config-acl-ip)# 35 permit any aabb.cc11.1234 0xeeee
switch(config-acl-ip)# exit

```

```

switch(config)# do show access-list

```

```

Type      Name
Sequence  Comment
          Action                               EtherType
          Source MAC Address
          Destination MAC Address
          Additional Parameters
-----

```

```

MAC      MY_MAC_ACL
10 permit                               ipv6

```

```

    1122.3344.5566/ffff.ffff.0000
    any
20 permit                                any
    aaaa.bbbb.cccc
    1111.2222.3333
    QoS Priority Code Point: 4
30 permit                                appletalk
    any
    any
    VLAN: 1
35 permit                                0xeeee
    any
    aabb.cc11.1234
40 deny                                  any
    any
    any
Hit-counts: enabled

```

### Removing an ACE from a MAC ACL:

```

switch(config)# access-list mac MY_MAC_ACL
switch(config-acl-ip)# no 35
switch(config-acl-ip)# exit

switch(config)# do show access-list
Type          Name
Sequence      Comment
              Action
              Source MAC Address
              Destination MAC Address
              Additional Parameters
-----
MAC           MY_MAC_ACL
10 permit                                ipv6
   1122.3344.5566/ffff.ffff.0000
   any
20 permit                                any
   aaaa.bbbb.cccc
   1111.2222.3333
   QoS Priority Code Point: 4
30 permit                                appletalk
   any
   any
   VLAN: 1
40 deny                                  any
   any
   any
Hit-counts: enabled

```

### Removing a MAC ACL:

```

switch(config)# no access-list mac MY_MAC_ACL

switch(config)# do show access-list
Type          Name
Sequence      Comment
              Action
              Source MAC Address
              Destination MAC Address

```

```

Additional Parameters
-----
MAC      MY_MAC_ACL2
1 permit 1122.3344.5566/ffff.ffff.0000      ipv6
   any
2 permit aaaa.bbbb.cccc                    any
   1111.2222.3333
   QoS Priority Code Point: 4
3 Permit all vlan-40 tagged Appletalk traffic
   permit appletalk
   any
   VLAN: 1
4 deny   any                                any
   any
   Hit-counts: enabled

```

## Command History

Release	Modification
10.07 or earlier	--

## Command Information

Platforms	Command context	Authority
All platforms	config The <code>access-list mac &lt;ACL-NAME&gt;</code> command takes you into the named ACL context where you enter the ACEs.	Administrators or local user group members with execution rights for this command.

## access-list resequence

`access-list {ip|ipv6|mac} <ACL-NAME> resequence <STARTING-SEQUENCE-NUMBER> <INCREMENT>`

### Description

Resequences the ACE sequence numbers in an ACL.

Parameter	Description
{ip ipv6 mac}	Specifies the ACL type.
<ACL-NAME>	Specifies the ACL name.
<STARTING-SEQUENCE-NUMBER>	Specifies the starting sequence number.
<INCREMENT>	Specifies the sequence number increment.

### Examples

## Resequencing an IPv4 ACL to start at 1 with an increment of 1:

```
switch(config)# access-list ip MY_IP_ACL resequence 1 1
switch(config-acl-ip)# exit

switch(config)# do show access-list
Type          Name
  Sequence    Comment
            Action                    L3 Protocol
            Source IP Address         Source L4 Port(s)
            Destination IP Address     Destination L4 Port(s)
            Additional Parameters
-----
IPv4          MY_IP_ACL
  1 permit                    udp
  any
  172.16.1.0/255.255.255.0
  2 permit                    tcp
  172.16.2.0/255.255.0.0      > 1023
  any
  3 permit                    tcp
  172.26.1.0/255.255.255.0
  any
  dscp: AF11
  ack
  syn
  4 deny                      any
  any
  any
  Hit-counts: enabled
```

## Resequencing an IPv6 ACL to start at 1 with an increment of 1:

```
switch(config)# access-list ipv6 MY_IPV6_ACL resequence 1 1
switch(config-acl-ip)# exit

switch(config)# do show access-list
Type          Name
  Sequence    Comment
            Action                    L3 Protocol
            Source IP Address         Source L4 Port(s)
            Destination IP Address     Destination L4 Port(s)
            Additional Parameters
-----
IPv6          MY_IPV6_ACL
  1 permit                    udp
  any
  2001::1/64
  2 Permit all TCP ephemeral ports
  permit                    tcp
  2001:2001::2:1             > 1023
  any
  3 permit                    tcp
  2001:2011::1/64
  any
  4 deny                      any
  any
  any
  Hit-counts: enabled
```

## Resequencing a MAC ACL to start at 1 with an increment of 1:

```

switch(config)# access-list mac MY_MAC_ACL resequence 1 1
switch(config-acl-mac)# exit

switch(config)# do show access-list
Type          Name
Sequence      Comment
              Action
              Source MAC Address
              Destination MAC Address
              Additional Parameters
-----
MAC           MY_MAC_ACL
1 permit      1122.3344.5566/ffff.ffff.0000
              any
              ipv6
2 permit      aaaa.bbbb.cccc
              1111.2222.3333
              QoS Priority Code Point: 4
              Permit all vlan-40 tagged Appletalk traffic
              permit
              any
              appletalk
              any
              VLAN: 1
4 deny        any
              any
              any
              Hit-counts: enabled

```

## Command History

Release	Modification
10.07 or earlier	--

## Command Information

Platforms	Command context	Authority
All platforms	config	Administrators or local user group members with execution rights for this command.

## access-list reset

```
access-list {all|ip <ACL-NAME>|ipv6 <ACL-NAME>|mac <ACL-NAME>} reset
```

### Description

Changes the user-specified ACL configuration to match the active ACL configuration. Use this command when a discrepancy exists between what the user configured and what is active and accepted by the system.

Parameter	Description
all ip <ACL-NAME> ipv6 <ACL-NAME> mac <ACL-NAME>	Specifies <b>one</b> of the following: <ul style="list-style-type: none"> <li>a reset of all ACLs.</li> </ul>

Parameter	Description
	<ul style="list-style-type: none"> <li>■ a reset of a named IPv4 ACL.</li> <li>■ a reset of a named IPv6 ACL.</li> <li>■ a reset of a named MAC ACL.</li> </ul>

## Usage

The output of the `show access-list` command displays the active configuration of the product. The active configuration is the ACLs that have been configured and accepted by the system. The output of the `show access-list` command with the `configuration` parameter, displays the ACLs that have been configured. The output of this command may not be the same as what was programmed in hardware or what is active on the product.

If the active ACLs and user-configured ACLs are not the same, a warning message is displayed in the output of the `show` command. Modify the user-configured ACL until the warning message is no longer displayed or run the `access-list reset` command to change the user-specified configuration to match the active configuration.

## Examples

Apply an ACL with TCP acknowledgments (ACKs) on ingress, which is unsupported by hardware:

```
switch(config-acl)# 10 permit tcp 172.16.2.0/16 any ack
```

Displaying the user-specified configuration:

```
switch(config)# do show access-list commands
! access-list ip TEST_ACL user configuration does not match active configuration.
! run 'access-list TYPE NAME reset' to reset access-list to match active
configuration.
access-list ip TEST_ACL
! access-list ip TEST_ACL user configuration does not match active configuration.
! run 'access-list TYPE NAME reset' to reset access-list to match active
configuration.
interface 1/1/1
  apply access-list ip TEST_ACL in

switch(config)# do show access-list commands configuration
! access-list ip TEST_ACL user configuration does not match active configuration.
! run 'access-list TYPE NAME reset' to reset access-list to match active
configuration.
access-list ip TEST_ACL
  10 permit tcp 172.16.2.0/255.255.0.0 any ack
! access-list ip TEST_ACL user configuration does not match active configuration.
! run 'access-list TYPE NAME reset' to reset access-list to match active
configuration.
interface 1/1/1
  apply access-list ip TEST_ACL in

switch(config)# do show access-list
Type      Name
Sequence  Comment
          Action                    L3 Protocol
          Source IP Address           Source L4 Port(s)
          Destination IP Address     Destination L4 Port(s)
          Additional Parameters
```

```

-----
% Warning: TEST_ACL user configuration does not match active configuration.
%      run 'access-list TYPE NAME reset' to reset access-list to match active
configuration.
IPv4      TEST_ACL

switch(config)# do show access-list configuration
Type      Name
  Sequence Comment
      Action                      L3 Protocol
      Source IP Address           Source L4 Port(s)
      Destination IP Address      Destination L4 Port(s)
      Additional Parameters
-----
% Warning: TEST_ACL user configuration does not match active configuration.
%      run 'access-list TYPE NAME reset' to reset access-list to match active
configuration.
IPv4      TEST_ACL
      10
      permit                      tcp
      172.16.2.0/255.255.0.0
      any
      ack

```

Resetting the user-specified configuration to match the active configuration.

```
switch(config)# access-list ip TEST_ACL reset
```

Displaying the updated user-specified configuration.

```

switch(config)# do show access-list commands
access-list ip TEST_ACL
interface 1/1/1
  apply access-list ip TEST_ACL in

switch(config)# do show access-list commands configuration
access-list ip TEST_ACL
interface 1/1/1
  apply access-list ip TEST_ACL in

switch(config)# do show access-list
Type      Name
  Sequence Comment
      Action                      L3 Protocol
      Source IP Address           Source L4 Port(s)
      Destination IP Address      Destination L4 Port(s)
      Additional Parameters
-----
IPv4      TEST_ACL

switch(config)# do show access-list configuration
Type      Name
  Sequence Comment
      Action                      L3 Protocol
      Source IP Address           Source L4 Port(s)
      Destination IP Address      Destination L4 Port(s)
      Additional Parameters
-----
IPv4      TEST_ACL

```

## Command History

Release	Modification
10.07 or earlier	--

## Command Information

Platforms	Command context	Authority
All platforms	config	Administrators or local user group members with execution rights for this command.

## apply access-list control-plane

```
apply access-list {ip|ipv6} <ACL-NAME> control-plane vrf <VRF-NAME>
no apply access-list {ip|ipv6} <ACL-NAME> control-plane vrf <VRF-NAME>
```

### Description

Applies an ACL to the specified VRF.

The `no` form of this command removes application of the ACL from the specified VRF.

Parameter	Description
<code>ip ipv6</code>	Specifies the ACL type: <code>ip</code> for IPv4, or <code>ipv6</code> for IPv6.
<code>&lt;ACL-NAME&gt;</code>	Specifies the ACL name.
<code>vrf &lt;VRF-NAME&gt;</code>	Specifies the VRF name.

### Usage

Only one ACL per type (`ip`, or `ipv6`) may be applied to a control plane VRF at a time. Therefore, using the `apply access-list control-plane` command on a VRF with an already-applied ACL of the same type, will replace the applied ACL.

### Examples

Applying `My_ip_ACL` to control plane traffic on the default VRF:

```
switch(config)# apply access-list ip My_ip_ACL control-plane vrf default
```

Replacing `My_ip_ACL` with `My_Replacement_ACL` on the default VRF:

```
switch(config)# apply access-list ip My_Replacement_ACL control-plane vrf default
```

Remove (unapply) the `My_Replacement_ACL` from the default VRF. Any other interfaces or VLANs with `My_Replacement_ACL` applied are unaffected.

```
switch(config)# no apply access-list ip My_Replacement_ACL control-plane vrf default
```



## Command History

Release	Modification
10.07 or earlier	--

## Command Information

Platforms	Command context	Authority
All platforms	config	Administrators or local user group members with execution rights for this command.

## apply access-list (to interface or LAG)

```
apply access-list {ip | ipv6 | mac} <ACL-NAME> {in | out}
no apply access-list {ip | ipv6 | mac} <ACL-NAME> {in | out}
```

### Description

Applies an ACL to the interface (Individual front plane port) or Link Aggregation Group (LAG) identified by the current interface or LAG context.

The `no` form of this command removes application of the ACL from the current interface or LAG identified by the current interface or LAG context.

Parameter	Description
<code>ip ipv6 mac</code>	Specifies the ACL type: <code>ip</code> for IPv4, <code>ipv6</code> for IPv6, or <code>mac</code> for MAC ACL.
<code>&lt;ACL-NAME&gt;</code>	Specifies the ACL name.
<code>in</code>	Selects the inbound (ingress) traffic direction.
<code>out</code>	Selects the outbound (egress) traffic direction. Only for IPv4 ACLs applied to route-only ports. Not available for ACLs applied to IPv4 bridged ports, IPv6 ports, or MAC ACLs applied to ports.

### Usage

- Each ACL of a given type can be applied to the same interface or LAG once in each direction. Therefore, using the `apply access-list` command on an interface or LAG with an already-applied ACL of the same type and direction will replace the currently applied ACL.
- An ACL can be applied to an individual front plane port or to a Link Aggregation Group (LAG).
- A port that is a member of a LAG with an applied ACL cannot have a different ACL applied to that member port.
- When the port membership of a LAG with an applied ACL is changed, the LAG ACL is automatically applied or removed from that port depending on the modification type.
- No ACLs (including ACLs for IPv4, IPv6, and MAC) are supported in egress on the Layer 2 interface. Egress ACLs can only be applied to Layer 3 (route-only) interfaces. Applying an egress ACL to a Layer 2 interface results in an error.

### Examples

Applying My\_IP\_ACL to ingress traffic on interface range 1/1/10 to 1/1/12:

```
switch(config)# int 1/1/10-1/1/12
switch((config-if-<1/1/10-1/1/12>)# apply access-list ip My_IP_ACL in
switch((config-if-<1/1/10-1/1/12>)# exit
```

Applying MY\_IP\_ACL to ingress traffic on LAG 100 and egress traffic on interface 1/1/2:

```
switch(config)# interface lag 100
switch(config-lag-if)# apply access-list ip MY_IP_ACL in
switch(config-lag-if)# exit

switch(config)# interface 1/1/2
switch(config-if)# apply access-list ip MY_IP_ACL out
switch(config-if)# exit
switch(config)#
```

Applying MY\_IPV6\_ACL to ingress traffic on interface 1/1/1 and to ingress traffic on LAG 100:

```
switch(config)# interface 1/1/1
switch(config-if)# apply access-list ipv6 MY_IPV6_ACL in
switch(config-if)# exit

switch(config)# interface lag 100
switch(config-lag-if)# apply access-list ipv6 MY_IPV6_ACL in
switch(config-lag-if)# exit
switch(config)#
```

Applying MY\_MAC\_ACL to ingress traffic on interface 1/1/1 and ingress traffic on interface 1/1/2:

```
switch(config)# interface 1/1/1
switch(config-if)# apply access-list mac MY_MAC_ACL in
switch(config-if)# exit

switch(config)# interface 1/1/2
switch(config-if)# apply access-list mac MY_MAC_ACL in
switch(config-if)# exit
switch(config)#
```

Replacing MY\_IP\_ACL with MY\_REPLACEMENT\_ACL on interface 1/1/2:

```
switch(config)# interface 1/1/2
switch(config-if)# apply access-list ip MY_REPLACEMENT_ACL out
switch(config-if)# exit
switch(config)#
```

Unapplying MY\_REPLACEMENT\_ACL from interface 1/1/2 (out):

```
switch(config)# interface 1/1/2
switch(config-if)# no apply access-list ip MY_REPLACEMENT_ACL out
switch(config-if)# exit
switch(config)#
```

## Command History

Release	Modification
10.07 or earlier	--

## Command Information

Platforms	Command context	Authority
All platforms	config-if config-lag-if	Administrators or local user group members with execution rights for this command.

## apply access-list (to interface VLAN)

```
apply access-list {ip|ipv6} <ACL-NAME> {routed-in|routed-out}
no apply access-list {ip|ipv6} <ACL-NAME> {routed-in|routed-out}
```

### Description

Applies an ACL to the interface VLAN (or range of interface VLANs) identified by the current interface VLAN context. Using the `apply access-list` command on an interface VLAN interface with an already-applied ACL of the same direction and type will replace the currently-applied ACL.

The `no` form of this command removes application of the ACL from the interface VLAN (or range of interface VLANs) identified by the current interface VLAN context.

Parameter	Description
ip ipv6	Specifies the ACL type: <code>ip</code> for IPv4, <code>ipv6</code> for IPv6.
<ACL-NAME>	Specifies the ACL name.
routed-in	Selects the routed inbound (routed ingress) traffic direction.
routed-out	Selects the routed outbound (routed egress) traffic direction.

### Usage

- Each ACL of a given type can be applied to the same interface VLAN once in each direction. Therefore, using the `apply access-list` command on an interface VLAN with an already-applied ACL of the same direction and type, will replace the applied ACL.

### Examples

Creating an IPv4 ACL and applying it to routed ingress traffic on interface VLAN `vlan100`:

```
switch(config)# access-list ip test
switch(config-acl-ip)# 10 permit any 1.1.1.2 2.2.2.2 count
switch(config-acl-ip)# 20 permit any 1.1.1.2 2.2.2.1 count
switch(config-acl-ip)# 30 permit any 2.2.2.2 1.1.1.2 count
switch(config-acl-ip)# 40 permit any 2.2.2.2 1.1.1.1 count
switch(config-acl-ip)# 50 permit any any any count
switch(config-acl-ip)# exit
switch(config)#
switch(config)# interface vlan100
switch(config-if-vlan)# apply access-list ip test routed-in
```

Applying My\_ip\_ACL to routed ingress traffic on interface VLAN 10:

```
switch(config)# interface vlan 10
switch(config-if-vlan)# apply access-list ip My_ip_ACL routed-in
```

Applying My\_ipv6\_ACL to routed ingress traffic on interface VLAN 10:

```
switch(config)# interface vlan 10
switch(config-if-vlan)# apply access-list ipv6 My_ip_ACL routed-in
```

Applying My\_ip\_ACL to routed ingress traffic on interface VLANs 20 to 25:

```
switch(config)# interface vlan 20-25
switch(config-if-vlan-<20-25>)# apply access-list ip My_ip_ACL routed-in
```

Replacing My\_ipv6\_ACL with My\_Replacement\_ACL on interface VLAN 10 (following the above examples):

```
switch(config)# interface vlan 10
switch(config-if-vlan)# apply access-list ipv6 My_Replacement_ACL routed-in
```

Removing (unapplying) My\_Replacement\_ACL on interface VLAN 10. Any other interfaces or VLANs with My\_Replacement\_ACL applied are not affected:

```
switch(config)# interface vlan 10
switch(config-if-vlan)# no apply access-list ipv6 My_Replacement_ACL routed-in
```

Removing (unapplying) My\_ip\_ACL on interface VLANs 20 to 25. Any other interfaces or VLANs with My\_ip\_ACL applied are not affected:

```
switch(config)# interface vlan 20-25
switch(config-if-vlan-<20-25>)# no apply access-list ip My_ip_ACL routed-in
```

Applying My\_ip\_ACL to routed egress traffic on interface VLAN 30:

```
switch(config)# interface vlan 30
switch(config-if-vlan)# apply access-list ip My_ip_ACL routed-out
```

Applying My\_ip\_ACL to routed egress traffic on interface VLANs 40 to 50:

```
switch(config)# interface vlan 40-50
switch(config-if-vlan-<40-50>)# apply access-list ip My_ip_ACL routed-out
```

## Command History

Release	Modification
10.07 or earlier	--

## Command Information

Platforms	Command context	Authority
8320 8325	config-if-vlan	Administrators or local user group members with execution rights for this command.

## apply access-list (to subinterface)

```
apply access-list {ip|ipv6|mac} <ACL-NAME> in
no apply access-list {ip|ipv6|mac} <ACL-NAME> in
```

### Description

Applies an ACL to the current port or LAG subinterface context or subinterface context range.

The `no` form of this command removes application of the ACL from the current port or LAG subinterface context or subinterface context range.



---

An ACL cannot be applied to the parent interface of one or more subinterfaces. This also means that a subinterface cannot be added to an interface if there is an ACL applied.

---



---

ACE VLAN IDs cannot be added to ACLs applied to subinterfaces. This also means that an ACL with an ACE matching on a VLAN ID cannot be applied to a subinterface.

---

Parameter	Description
<code>ip ipv6 mac</code>	Specifies the ACL type: <code>ip</code> for IPv4, <code>ipv6</code> for IPv6, or <code>mac</code> for MAC ACL.
<code>&lt;ACL-NAME&gt;</code>	Specifies the ACL name.
<code>in</code>	Selects the inbound (ingress) traffic direction.

### Usage

- Each ACL of a given type can be applied to the same subinterface once. Therefore, using the `apply access-list` command on a subinterface with an already-applied ACL of the same type will replace the currently applied ACL.
- In the case of a failed ACL application to a subinterface during switch reboot or hotswap, the subinterface will be shut down. Fixing the failure will cause the subinterface to come back up.
- In the case of a failed ACL application to an added subinterface LAG member(s), the entire LAG subinterface will be shut down. Fixing the failure will cause the LAG subinterface to come back up. For this case to occur, the ACL must already be successfully applied to existing subinterface LAG members. This is done to prevent traffic from circumventing the ACL by passing through new LAG members where the ACL was not successfully applied. This only occurs when the LAG spans more than one line card or stack member.

### Examples

Applying `My_ip_ACL` to ingress traffic on subinterface `1/1/1.10`:

```
switch(config)# interface 1/1/1.10
switch(config-subif)# apply access-list ip My_ip_ACL in
```

Applying My\_ipv6\_ACL to ingress traffic on subinterface 1/1/1.10:

```
switch(config)# interface 1/1/1.10
switch(config-subif)# apply access-list ipv6 My_ipv6_ACL in
```

Applying My\_ip\_ACL to ingress traffic on subinterface range 1/1/1.11 to 1/1/1.15:

```
switch(config)# interface 1/1/1.11-1/1/1.15
switch(config-subif-<1/1/1.11-1/1/1.15>)# apply access-list ip My_ip_ACL in
```

Replacing My\_ipv6\_ACL with My\_Replacement\_ACL on subinterface 1/1/1.10 (following the above examples):

```
switch(config)# interface 1/1/1.10
switch(config-subif)# apply access-list ipv6 My_Replacement_ACL in
```

Removing (unapplying) My\_Replacement\_ACL on subinterface 1/1/1.10. Any other interfaces or VLANs with My\_Replacement\_ACL applied are not affected.

```
switch(config)# interface 1/1/1.10
switch(config-subif)# no apply access-list ipv6 My_Replacement_ACL in
```

Removing (unapplying) My\_ip\_ACL on subinterface 1/1/1.11 to 1/1/1.15. Any other interfaces or VLANs with My\_ip\_ACL applied are not affected.

```
switch(config)# interface 1/1/1.11-1/1/1.15
switch(config-subif-<1/1/1.11-1/1/1.15>)# no apply access-list ip My_ip_ACL in
```

Applying My\_ip\_ACL to ingress traffic on subinterface lag1.10:

```
switch(config)# interface lag1.10
switch(config-subif)# apply access-list ip My_ip_ACL in
```

Removing (unapplying) My\_ip\_ACL from subinterface lag1.10:

```
switch(config)# interface lag1.10
switch(config-subif)# no apply access-list ip My_ip_ACL in
```

## Command History

Release	Modification
10.08	Command introduced.

## Command Information

Platforms	Command context	Authority
	config-subif	Administrators or local user group members with execution rights for this command.

## apply access-list (to VLAN)

```
apply access-list {ip|ipv6|mac} <ACL-NAME> {in|out}
no apply access-list {ip|ipv6|mac} <ACL-NAME> {in|out}
```

### Description

Applies an ACL to the VLAN identified by the current VLAN context.

The `no` form of this command removes application of the ACL from the VLAN identified by the current VLAN context.

Parameter	Description
ip ipv6 mac	Specifies the ACL type: ip for IPv4, ipv6 for IPv6, or mac for MAC ACL.
<ACL-NAME>	Specifies the ACL name.
in	Selects the inbound (ingress) traffic direction.
out	Selects the outbound (egress) traffic direction.

### Usage

- Each ACL of a given type can be applied to the same VLAN once in each direction. Therefore, using the `apply access-list` command on a VLAN with an already-applied ACL of the same type, will replace the applied ACL.

### Examples

Applying My\_ip\_ACL to ingress traffic on VLAN range 20 to 25:

```
switch(config)# vlan 20-25
switch(config-vlan-<20-25>)# apply access-list ip My_ip_ACL in
```

Applying My\_ip\_ACL to egress traffic on VLAN range 40 to 50:

```
switch(config)# vlan 40-50
switch(config-vlan-<40-50>)# apply access-list ip My_ip_ACL out
```

Applying My\_ip\_ACL to ingress traffic on VLAN 10:

```
switch(config)# vlan 10
switch(config-vlan-10)# apply access-list ip My_ip_ACL in
```

Applying My\_ipv6\_ACL to ingress traffic on VLAN 10:

```
switch(config)# vlan 10
switch(config-vlan-10)# apply access-list ipv6 My_ipv6_ACL in
```

Applying My\_mac\_ACL to ingress traffic on VLAN 10:

```
switch(config)# vlan 10
switch(config-vlan-10)# apply access-list mac My_mac_ACL in
```

Replacing My\_ipv6\_ACL with My\_Replacement\_ACL on VLAN 10 (following the preceding examples):

```
switch(config)# vlan 10
switch(config-vlan-10)# apply access-list ipv6 My_Replacement_ACL in
```

Removing (unapplying) several ACLs on VLAN 10:

```
switch(config)# vlan 10
switch(config-vlan-10)# no apply access-list ipv6 My_Replacement_ACL in
switch(config-vlan-10)# no apply access-list mac My_mac_ACL in
```

## Command History

Release	Modification
10.07 or earlier	--

## Command Information

Platforms	Command context	Authority
All platforms	config-vlan	Administrators or local user group members with execution rights for this command.

## clear access-list hitcounts

```
clear access-list hitcounts { all | [{ip|ipv6|mac} <ACL-NAME>]
                             [interface <IF-NAME>| vlan <VLAN-ID>] [in|out|routed-in|routed-out] }
```

## Description

Clears the hit counts for ACLs with ACEs that include the `count` keyword.

Parameter	Description
all	Selects all ACLs.
ip ipv6 mac	Specifies the ACL type: ip for IPv4, ipv6 for IPv6, or mac for MAC.
<ACL-NAME>	Specifies the ACL name.
interface <IF-NAME>	Specifies the interface name (port or LAG).



Parameter	Description
vlan <VLAN-ID>	Specifies the VLAN.
in	Selects the inbound (ingress) traffic direction.
out	Selects the outbound (egress) traffic direction. Available for IPv4 and IPv6 ACLs applied to VLANs and for IPv4 ACLs applied to route-only ports. Not available for ACLs applied to either IPv4 bridged ports or IPv6 ports, or for MAC ACLs applied to ports or VLANs.
routed-in routed-out	Selects the routed traffic direction on which the ACL is applied.  <b>NOTE:</b> This is only available for IPv4 and IPv6 ACLs applied to interface VLANs. <ul style="list-style-type: none"> <li>routed-in selects the routed inbound (routed ingress) traffic direction.</li> <li>routed-out selects the routed outbound (routed egress) traffic direction.</li> </ul>

## Examples

Clearing the hit counts for My\_ip\_ACL applied to port 1/1/2 (egress):

```
switch# clear access-list hitcounts ip My_ip_ACL interface 1/1/2 out
```

Clearing the hit counts for My\_ip\_ACL applied to VLAN 10 (ingress):

```
switch# clear access-list hitcounts ip My_ip_ACL vlan 10 in
```

Clearing the hit counts for all ACLs:

```
switch# clear access-list hitcounts all
```

## Command History

Release	Modification
10.07 or earlier	--

## Command Information

Platforms	Command context	Authority
All platforms	Operator (>) or Manager (#)	Operators or Administrators or local user group members with execution rights for this command. Operators can execute this command from the operator context (>) only.

## clear access-list hitcounts control-plane

```
clear access-list hitcounts [{ip|ipv6} <ACL-NAME>] control-plane vrf <VRF-NAME>
```

## Description

Clears the hit counts for ACLs applied to the Control Plane VRF.

Parameter	Description
ip ipv6	Specifies the ACL type: ip for IPv4, or ipv6 for IPv6.
<ACL-NAME>	Specifies the ACL name.
vrf <VRF-NAME>	Specifies the VRF name.

## Examples

Clearing the hit counts for an IPv4 ACL applied to the Control Plane default VRF:

```
switch# clear access-list hitcounts ip My_ipv4_ACL control-plane vrf default
```

Clearing the hit counts for an IPv6 ACL applied to the Control Plane default VRF:

```
switch# clear access-list hitcounts ipv6 My_ipv6_ACL control-plane vrf default
```

## Command History

Release	Modification
10.07 or earlier	--

## Command Information

Platforms	Command context	Authority
All platforms	Operator (>) or Manager (#)	Operators or Administrators or local user group members with execution rights for this command. Operators can execute this command from the operator context (>) only.

## object-group address resequence

```
object-group {ip|ipv6} address <OBJECT-GROUP-NAME> resequence <STARTING-SEQUENCE-NUMBER> <INCREMENT>
```

## Description

Reorders the sequence numbers in an address object group.

Parameter	Description
ip ipv6	Specifies the object group IP address type, either ip or ipv6.
<OBJECT-GROUP-NAME>	Specifies the address object group name.
<STARTING-SEQUENCE-NUMBER>	Specifies the starting sequence number.
<INCREMENT>	Specifies the sequence number increment.

## Examples

Resequencing address object group my\_ipv4\_addr\_group to use sequence numbers 5, 10, 15 and so on:

```
switch(config)# object-group address my_ipv4_addr_group resequence 5 5
switch(config)#
```

## Command History

Release	Modification
10.07 or earlier	--

## Command Information

Platforms	Command context	Authority
All platforms	config	Administrators or local user group members with execution rights for this command.

## object-group address reset

```
object-group {ip|ipv6} address <OBJECT-GROUP-NAME> reset
```

### Description

Resets the user configuration back to the active configuration. This command takes immediate effect, it is not saved in the user configuration. Use this command if misconfiguration of an address object group has occurred.

Parameter	Description
ip ipv6	Specifies the object group IP address type, either ip or ipv6.
<OBJECT-GROUP-NAME>	Specifies the address object group name.

## Examples

Resetting IPv4 address object group my\_ipv4\_group:

```
switch(config)# object-group ip address my_ip_group reset
switch(config)#
```

Resetting IPv6 address object group my\_ipv6\_group:

```
switch(config)# object-group ipv6 address my_ipv6_group reset
switch(config)#
```

## Command History

Release	Modification
10.07 or earlier	--

## Command Information

Platforms	Command context	Authority
All platforms	config	Administrators or local user group members with execution rights for this command.

## object-group all reset

object-group all reset

### Description

Resets the user configuration back to the active configuration for all object types (address and port). This command takes immediate effect, it is not saved in the user configuration. Use this command if misconfiguration of address object groups and port object groups has occurred. Individual address and port object groups can be reset respectively with the `object-group address reset` and `object-group port reset` commands.

### Examples

Resetting the user configuration for all object types (address and port):

```
switch(config)# object-group all reset
switch(config)#
```

## Command History

Release	Modification
10.07 or earlier	--

## Command Information

Platforms	Command context	Authority
All platforms	config	Administrators or local user group members with execution rights for this command.

## object-group ip address

Syntax to create an IPv4 address object group and enter its context:

```
object-group ip address <OBJECT-GROUP-NAME>
```

```
no object-group ip address <OBJECT-GROUP-NAME>
```

Syntax (within the address object-group context) for creating or removing IPv4 address entries:

```
[ <SEQUENCE-NUMBER> ] <IP-ADDRESS> [ / { <PREFIX-LENGTH> | <SUBNET-MASK> } ]
```

```
no <SEQUENCE-NUMBER>
```

## Description

Creates an IPv4 address object group comprised of one or more address entries. Address groups are used solely as a shorthand way of specifying groups of addresses in the ACEs that make up ACLs. IPv4 address groups can be used only in the `access-list ip` command. Entering `object-group ip address` with an existing address group name, enables you to modify an existing address group.

The `no` form of this command deletes the entire address group or deletes a particular address group entry identified by sequence number.

Parameter	Description
<code>&lt;OBJECT-GROUP-NAME&gt;</code>	Specifies the address object group name.
<code>&lt;SEQUENCE-NUMBER&gt;</code>	Specifies a sequence number for the address entry. Range: 1 to 4294967295. When omitted, a sequence number 10 larger than the current highest sequence number is auto-assigned. Default auto-assigned sequence numbers are 10, 20, 30, and so on.
<code>&lt;IP-ADDRESS&gt;[/ {&lt;PREFIX-LENGTH&gt;   &lt;SUBNET-MASK&gt;} ]</code>	Specifies the IPv4 address. <ul style="list-style-type: none"><li>■ <code>&lt;IP-ADDRESS&gt;</code> - specifies the IPv4 host address.</li><li>■ <code>&lt;PREFIX-LENGTH&gt;</code> - specifies the address bits to mask (CIDR subnet mask notation). Range: 1 to 32.</li><li>■ <code>&lt;SUBNET-MASK&gt;</code> - specifies the address bits to mask (dotted decimal notation).</li></ul>

## Examples

Creating an IPv4 address group with two entries:

```
switch(config)# object-group ip address my_ipv4_addr_group
switch(config-addrgroup-ip)# 10 192.168.0.1
switch(config-addrgroup-ip)# 20 192.168.0.2
switch(config-addrgroup-ip)# exit
switch(config)# show object-group
Type          Name
Sequence L4 Port(s)/IP Address
-----
IPv4         my_ipv4_addr_group
           10 192.168.0.1
           20 192.168.0.2
```

Adding an entry to an existing IPv4 address group:

```
switch(config)# object-group ip address my_ipv4_addr_group
switch(config-addrgroup-ip)# 30 192.168.0.3
switch(config-addrgroup-ip)# exit
switch(config)# show object-group
Type          Name
Sequence L4 Port(s)/IP Address
-----
IPv4         my_ipv4_addr_group
           10 192.168.0.1
```

```
20 192.168.0.2
30 192.168.0.3
```

Removing an entry (20) from an existing IPv4 address group:

```
switch(config)# object-group ip address my_ipv4_addr_group
switch(config-addrgroup-ip)# no 20
switch(config-addrgroup-ip)# exit
switch(config)# show object-group
Type          Name
Sequence L4 Port(s)/IP Address
-----
IPv4          my_ipv4_addr_group
10 192.168.0.1
30 192.168.0.3
```

Removing an IPv4 address group:

```
switch(config)# no object-group ip address my_ipv4_addr_group
switch(config)# show object-group
No object group found.
```

## Command History

Release	Modification
10.07 or earlier	--

## Command Information

Platforms	Command context	Authority
All platforms	config The <code>object-group ip address</code> command takes you into the named address group context (with prompt <code>switch (config-addrgroup-ip) #</code> ) where you enter the addresses.	Administrators or local user group members with execution rights for this command.

## object-group ipv6 address

Syntax to create an IPv6 address object group and enter its context:

```
object-group ipv6 address <OBJECT-GROUP-NAME>
no object-group ipv6 address <OBJECT-GROUP-NAME>
```

Syntax (within the address object-group context) for creating or removing IPv6 address entries:

```
[<SEQUENCE-NUMBER>] <IP-ADDRESS> [ / { <PREFIX-LENGTH> | <SUBNET-MASK> } ]
no <SEQUENCE-NUMBER>
```

## Description

Creates an IPv6 address object group comprised of one or more address entries. Address groups are used solely as a shorthand way of specifying groups of addresses in the ACEs that make up ACLs. IPv6 address groups can be used only in the `access-list ipv6` command. Entering `object-group ipv6 address` with an existing address group name, enables you to modify an existing address group.

The `no` form of this command deletes the entire address group or deletes a particular address group entry identified by sequence number.

Parameter	Description
<code>&lt;OBJECT-GROUP-NAME&gt;</code>	Specifies the address object group name.
<code>&lt;SEQUENCE-NUMBER&gt;</code>	Specifies a sequence number for the address entry. Range: 1 to 4294967295. When omitted, a sequence number 10 larger than the current highest sequence number is auto-assigned. Default auto-assigned sequence numbers are 10, 20, 30, and so on.
<code>&lt;IP-ADDRESS&gt;[/ {&lt;PREFIX-LENGTH&gt;   &lt;SUBNET-MASK&gt;} ]</code>	Specifies the IPv6 address. <ul style="list-style-type: none"> <li>■ <code>&lt;IP-ADDRESS&gt;</code> - specifies the IPv6 host address. <ul style="list-style-type: none"> <li>○ <code>&lt;PREFIX-LENGTH&gt;</code> - specifies the address bits to mask (CIDR subnet mask notation). Range: 1 to 128.</li> <li>○ <code>&lt;SUBNET-MASK&gt;</code> - specifies the address bits to mask (dotted decimal notation).</li> </ul> </li> </ul>

## Examples

Creating an IPv6 address group with two entries:

```
switch(config)# object-group ipv6 address my_ipv6_addr_group
switch(config-addrgroup-ipv6)# 10 1000::1
switch(config-addrgroup-ipv6)# 20 1000::2
switch(config-addrgroup-ipv6)# exit
switch(config)# show object-group
Type          Name
Sequence L4 Port(s)/IP Address
-----
IPv6         my_ipv6_addr_group
           10 1000::1
           20 1000::2
```

Adding an entry to an existing IPv6 address group:

```
switch(config)# object-group ipv6 address my_ipv6_addr_group
switch(config-addrgroup-ipv6)# 30 1000::3
switch(config-addrgroup-ipv6)# exit
switch(config)# show object-group
Type          Name
Sequence L4 Port(s)/IP Address
-----
IPv6         my_ipv6_addr_group
           10 1000::1
           20 1000::2
           30 1000::3
```

Removing an entry (20) from an existing IPv6 address group:

```
switch(config)# object-group ipv6 address my_ipv6_addr_group
switch(config-addrgroup-ipv6)# no 20
switch(config-addrgroup-ipv6)# exit
switch(config)# show object-group
Type          Name
Sequence L4 Port(s)/IP Address
-----
IPv6         my_ipv6_addr_group
           10 1000::1
           30 1000::3
```

Removing an IPv6 address group:

```
switch(config)# no object-group ipv6 address my_ipv6_addr_group
switch(config)# show object-group
No object group found.
```

## Command History

Release	Modification
10.07 or earlier	--

## Command Information

Platforms	Command context	Authority
All platforms	config The <code>object-group ipv6 address</code> command takes you into the named address group context (with prompt <code>switch(config-addrgroup-ipv6)#</code> ) where you enter the addresses.	Administrators or local user group members with execution rights for this command.

## object-group port

Syntax to create a Layer 4 port object group and enter its context:

```
object-group port <OBJECT-GROUP-NAME>
```

```
no object-group port <OBJECT-GROUP-NAME>
```

Syntax (within the port object-group context) for creating or removing Layer 4 port entries:

```
[<SEQUENCE-NUMBER>] { {eq|gt|lt} <PORT>|range <MIN-PORT> <MAX-PORT> }
```

```
no <SEQUENCE-NUMBER>
```

## Description

Creates a Layer 4 port object group comprised of one or more port entries. Port groups are used solely as a shorthand way of specifying groups of ports in the ACEs that make up ACLs. Layer 4 port groups can be



used only in the `access-list ip` and `access-list ipv6` commands. Entering `object-group port` with an existing port group name, enables you to modify an existing port group.

The `no` form of this command deletes the entire port group or deletes a particular port group entry identified by sequence number.

Parameter	Description
<code>&lt;OBJECT-GROUP-NAME&gt;</code>	Specifies the port object group name.
<code>&lt;SEQUENCE-NUMBER&gt;</code>	Specifies a sequence number for the port entry. Range: 1 to 4294967295. When omitted, a sequence number 10 larger than the current highest sequence number is auto-assigned. Default auto-assigned sequence numbers are 10, 20, 30, and so on.
<code>{ {eq gt lt} &lt;PORT&gt; range &lt;MIN-PORT&gt;&lt;MAX-PORT&gt; }</code>	<p>Specifies the port or port range. Port numbers are in the range of 0 to 65535.</p> <ul style="list-style-type: none"> <li>■ <code>eq &lt;PORT&gt;</code> - specifies the Layer 4 port.</li> <li>■ <code>gt &lt;PORT&gt;</code> - specifies any Layer 4 port greater than the indicated port.</li> <li>■ <code>lt &lt;PORT&gt;</code> - specifies any Layer 4 port less than the indicated port.</li> <li>■ <code>range MIN-PORT&gt; &lt;MAX-PORT&gt;</code> - specifies the Layer 4 port range.</li> </ul> <p><b>NOTE:</b> When ACLs using ACEs defined with port groups are applied, the same number of hardware resources are consumed as when the ports are specified directly in the ACEs and not in a group. Keep this in mind when creating port groups that include many ports. Although hardware resource consumption is the same, with or without port groups used, it may not be immediately obvious that some port groups that you have defined, include many ports. It is recommended that you name port groups in a manner that reminds you that a group includes many ports.</p>

## Examples

Creating a port group with two entries to cover port 80 plus ports 0 through 50:

```
switch(config)# object-group port my_port_group
switch(config-portgroup)# 10 eq 80
switch(config-portgroup)# 20 range 0 50
switch(config-portgroup)# exit
switch(config)# show object-group
Type          Name
Sequence L4 Port(s)/IP Address
-----
Port          my_port_group
```

```

10 eq 80
20 range 0 50

```

Adding an entry for ports greater than 65525 (covers ports 65526 through 65535):

```

switch(config)# object-group port my_port_group
switch(config-portgroup)# 30 gt 65525
switch(config-portgroup)# exit
switch(config)# show object-group
Type          Name
Sequence L4 Port(s)/IP Address
-----
Port          my_port_group
10 eq 80
20 range 0 50
30 gt 65525

```

Removing an entry (#20) from the port group:

```

switch(config)# object-group port my_port_group
switch(config-portgroup)# no 20
switch(config-portgroup)# exit
switch(config)# show object-group
Type          Name
Sequence L4 Port(s)/IP Address
-----
Port          my_port_group
10 eq 80
30 gt 65525

```

Removing the port group:

```

switch(config)# no object-group port my_port_group
switch(config)# show object-group
No object group found.

```

## Command History

Release	Modification
10.07 or earlier	--

## Command Information

Platforms	Command context	Authority
All platforms	<p>config</p> <p>The <code>object-group ip port</code> command takes you into the named port group context (with prompt <code>switch(config-portgroup)#</code>) where you specify the ports.</p>	Administrators or local user group members with execution rights for this command.

## object-group port resequence

object-group port <OBJECT-GROUP-NAME> resequence <STARTING-SEQUENCE-NUMBER> <INCREMENT>

### Description

Reorders the sequence numbers in a port object group.

Parameter	Description
<OBJECT-GROUP-NAME>	Specifies the port object group name.
<STARTING-SEQUENCE-NUMBER>	Specifies the starting sequence number.
<INCREMENT>	Specifies the sequence number increment.

### Examples

Resequencing port object group my\_port\_group to use sequence numbers 110, 120, 130 and so on:

```
switch(config)# object-group port my_port_group resequence 110 10
switch(config)#
```

### Command History

Release	Modification
10.07 or earlier	--

### Command Information

Platforms	Command context	Authority
All platforms	config	Administrators or local user group members with execution rights for this command.

## object-group port reset

object-group port <OBJECT-GROUP-NAME> reset

### Description

Resets the user configuration back to the active configuration. This command takes immediate effect, it is not saved in the user configuration. Use this command if misconfiguration of a port object group has occurred.

Parameter	Description
<OBJECT-GROUP-NAME>	Specifies the port object group name.

### Examples

Resetting port object group my\_port\_group:

```
switch(config)# object-group port my_port_group reset
switch(config)#
```

## Command History

Release	Modification
10.07 or earlier	--

## Command Information

Platforms	Command context	Authority
All platforms	config	Administrators or local user group members with execution rights for this command.

## show access-list

Syntax that filters by ACLs applied to an interface or VLAN:

```
show access-list [interface <IF-NAME>|vlan <VLAN-ID>] [ip|ipv6|mac]
[in|out|routed-in|routed-out] [commands] [configuration] [vsx-peer]
```

Syntax that filters by the named ACL:

```
show access-list [ip|ipv6|mac] [<ACL-NAME>] [commands] [configuration] [vsx-peer]
```

## Description

information about your defined ACLs and where they have been applied. When `show access-list` is entered without parameters, information for all ACLs is shown. The parameters filter the list of ACLs for which information is shown.

Available filtering includes:

- The content of a specific ACL.
- All ACLs of a specific type.
- All ACLs applied to a specific interface (port or split port or LAG).
- All ACLs applied to a specific VLAN.
- All ACLs applied in a particular direction.
- All IPv4 or IPv6 ACLs applied to interface VLANs (routed in or out).

Parameter	Description
interface <IF-NAME>	Specifies the interface name (port or LAG).
vlan <VLAN-ID>	Specifies the VLAN.
ip ipv6 mac	Specifies the ACL type: <ul style="list-style-type: none"> <li>■ ip for IPv4,</li> <li>■ ipv6 for IPv6, or</li> <li>■ mac for MAC.</li> </ul>
in	Selects the inbound (ingress) traffic direction.

Parameter	Description
out	Selects the outbound (egress) traffic direction. Available for IPv4 and IPv6 ACLs applied to VLANs and for IPv4 ACLs applied to route-only ports. Not available for ACLs applied to either IPv4 bridged ports or IPv6 ports, or for MAC ACLs applied to ports or VLANs.
routed-in routed-out	Selects the routed traffic direction on which the ACL is applied.  <b>NOTE:</b> This is only available for IPv4 and IPv6 ACLs applied to interface VLANs. <ul style="list-style-type: none"> <li>■ routed-in selects the routed inbound (routed ingress) traffic direction.</li> <li>■ routed-out selects the routed outbound (routed egress) traffic direction.</li> </ul>
<ACL-NAME>	Specifies the ACL name.
commands	Specifies that the ACL definition is to be shown as the commands and parameters used to create it rather than in tabular form.
configuration	Specifies that the user-configured ACLs be shown as entered, even if the ACLs are not active due to ACE-definition command issues or hardware issues. This parameter is useful if there is a mismatch between the entered configuration and the previous successfully programmed (active) ACLs configuration.
vsx-peer	Shows the output from the VSX peer switch. If the switches do not have the VSX configuration or the ISL is down, the output from the VSX peer switch is not displayed. This parameter is available on switches that support VSX.

## Examples

Creating an IPv4 ACL, applying it to an interface VLAN (routed in), and then showing ACL information filtered for that interface VAN:

```
switch(config)# access-list ip test
switch(config-acl-ip)# 10 permit any 1.1.1.2 2.2.2.2 count
switch(config-acl-ip)# 20 permit any 1.1.1.2 2.2.2.1 count
switch(config-acl-ip)# 30 permit any 2.2.2.2 1.1.1.2 count
switch(config-acl-ip)# 40 permit any 2.2.2.2 1.1.1.1 count
switch(config-acl-ip)# 50 permit any any any count
switch(config-acl-ip)# exit
switch(config)#
switch(config)# interface vlan100
switch(config-if-vlan)# apply access-list ip test routed-in
switch(config-if-vlan)# exit
switch(config)# show access-list interface vlan100 ip routed-in
```

```
Direction
Type      Name
Sequence  Comment
          Ac   L3 Protocol
          Source IP Address           Source L4 Port(s)
          Destination IP Address     Destination L4 Port(s)
          Additional Parameters
-----
Routed Inbound
```

```

IPv4      test
10      permit                    any
        1.1.1.2
        2.2.2.2
        Hit-counts: enabled
20      permit                    any
        1.1.1.2
        2.2.2.1
        Hit-counts: enabled
30      permit                    any
        2.2.2.2
        1.1.1.2
        Hit-counts: enabled
40      permit                    any
        2.2.2.2
        1.1.1.1
        Hit-counts: enabled
50      permit                    any
        any
        any
        Hit-counts: enabled
-----

```

Showing an IPv4 ACL:

```

switch# show access-list ip MY_ACL
Type      Name
Sequence  Comment
          Action                    L3 Protocol
          Source IP Address         Source L4 Port(s)
          Destination IP Address     Destination L4 Port(s)
          Additional Parameters
-----
IPv4      MY_ACL
10 permit                    udp
          any
          172.16.1.0/255.255.255.0
20 permit                    tcp
          172.16.2.0/255.255.0.0   > 1023
          any
30 permit                    tcp
          172.26.1.0//255.255.255.0
          any
          syn
          ack
          dscp 10
40 deny                    any
          any
          any
          Hit-counts: enabled
-----

```

Showing an IPv4 ACL as commands:

```

switch# show access-list ip MY_ACL commands
access-list ip MY_ACL
 10 permit udp any 172.16.1.0/255.255.255.0
 20 permit tcp 172.16.2.0/255.255.0.0 gt 1023 any
 30 permit tcp 172.26.1.0/255.255.255.0 any syn ack dscp 10
 40 deny any any any count

```

Showing IPv4 ACLs applied to VLAN 10, inbound:

```

switch# show access-list vlan 10 ip in
Type      Name
Sequence  Comment
          Action                L3 Protocol
          Source IP Address      Source L4 Port(s)
          Destination IP Address  Destination L4 Port(s)
          Additional Parameters
-----
IPv4      My_ip_ACL
 10 permit                udp
    any
    172.16.1.0/255.255.255.0
 20 permit                tcp
    172.16.2.0/255.255.0.0    > 1023
    any
 30 permit                tcp
    172.26.1.0//255.255.255.0
    any
    syn
    ack
    dscp 10
 40 deny                    any
    any
    any
    Hit-counts: enabled
-----

```

Showing IPv6 ACLs applied to LAG 128, inbound:

```

switch# show access-list interface lag128 ipv6 in
Type      Name
Sequence  Comment
          Action                L3 Protocol
          Source IP Address      Source L4 Port(s)
          Destination IP Address  Destination L4 Port(s)
          Additional Parameters
-----
IPv6      MY_IPV6_ACL
 10 permit                udp
    any
    2001::1/64
 20 permit                tcp
    2001:2001::2:1/128        > 1023
    any
 30 permit                tcp
    2001:2011::1/64
 40 deny                    any
    any
    any

```

```
Hit-counts: enabled
```

Showing an IPv6 ACL as commands:

```
switch# show access-list ipv6 MY_IPV6_ACL commands
access-list ipv6 MY_IPV6_ACL
 10 permit udp any 2001::1/64
 20 permit tcp 2001:2001::2:1/128 gt 1023 any
 40 deny any any any count
```

Showing a MAC ACL:

```
switch# show access-list mac MY_MAC_ACL
Type      Name
Sequence  Comment
          Action
          Source MAC Address
          Destination MAC Address
          Additional Parameters
-----
MAC       MY_MAC_ACL
 10 permit
    1122.3344.5566/ffff.ffff.0000
    any
 20 permit
    aaaa.bbbb.cccc
    1111.2222.3333
    QoS Priority Code Point: 4
 30 deny
    any
    any
    Hit-counts: enabled
-----
```

Showing a MAC ACL as commands:

```
switch# show access-list mac MY_MAC_ACL commands
access-list mac MY_MAC_ACL
 10 permit 1122.3344.5566/ffff.ffff.0000 any ipv6
 20 permit aaaa.bbbb.cccc 1111.2222.3333 any pcp 4
 30 deny any any any count
```

## Command History

Release	Modification
10.07 or earlier	--

## Command Information



Platforms	Command context	Authority
All platforms	Operator (>) or Manager (#)	Operators or Administrators or local user group members with execution rights for this command. Operators can execute this command from the operator context (>) only.

## show access-list control-plane

```
show access-list [ip|ipv6] [<ACL-NAME>] control-plane [vrf <VRF-NAME>]
                [commands] [configuration][vsx-peer]
```

### Description

Shows information about your defined ACLs that have been applied to the Control Plane. When `show access-list control-plane` is entered without parameters, information for all ACLs applied to the Control Plane is shown. The parameters filter the list of ACLs for which information is shown.

Available filtering includes:

- The content of a specific ACL that has been applied to the Control Plane.
- All ACLs of a specific type that have been applied to the Control Plane.
- All ACLs applied to the Control Plane for a specific VRF.

Parameter	Description
<code>ip ipv6</code>	Specifies the ACL type: <code>ip</code> for IPv4, or <code>ipv6</code> for IPv6.
<code>&lt;ACL-NAME&gt;</code>	Specifies the ACL name.
<code>vrf &lt;VRF-NAME&gt;</code>	Specifies the VRF name.
<code>[commands]</code>	Specifies that the ACL definition is to be shown as the commands and parameters used to create it rather than in tabular form.
<code>[configuration]</code>	Specifies that the user-configured ACLs be shown as entered, even if the ACLs are not active due to ACE-definition command issues or hardware issues. This parameter is useful if there is a mismatch between the entered configuration and the previous successfully programmed (active) ACLs configuration.
<code>vsx-peer</code>	Shows the output from the VSX peer switch. If the switches do not have the VSX configuration or the ISL is down, the output from the VSX peer switch is not displayed. This parameter is available on switches that support VSX.

### Examples

Showing an IPv4 ACL applied to the Control Plane `default` VRF:

```
switch# show access-list ip My_ipv4_ACL control-plane vrf default
Type      Name
Sequence Comment
          Action                L3 Protocol
          Source IP Address       Source L4 Port(s)
          Destination IP Address  Destination L4 Port(s)
          Additional Parameters
-----
```

```

IPv4      My_ipv4_ACL
10 permit                                udp
   any
   172.16.1.0/24
20 permit                                tcp
   172.16.2.0/16
   any
30 permit                                tcp
   172.26.1.0/24
   any
   syn
   ack
   dscp 10
40 deny                                  any
   any
   any
Hit-counts: enabled
-----

```

Showing an IPv6 ACL applied to the Control Plane default VRF:

```

switch# show access-list ipv6 My_ipv6_ACL control-plane vrf default
Type      Name
Sequence  Comment
Action
Source IP Address      L3 Protocol
Destination IP Address Source L4 Port(s)
Additional Parameters  Destination L4 Port(s)
-----
IPv6      My_ipv6_ACL
10 permit                                udp
   any
   2001::1/64
20 permit                                tcp
   2001:2001::2:1/128
   any
30 permit                                tcp
   2001:2011::1/64
40 deny                                  any
   any
   any
Hit-counts: enabled
-----

```

## Command History

Release	Modification
10.07 or earlier	--

## Command Information

Platforms	Command context	Authority
All platforms	Operator (>) or Manager (#)	Operators or Administrators or local user group members with execution rights for this command. Operators can execute this command from the operator context (>) only.

## show access-list hitcounts

```
show access-list hitcounts { [{ip|ipv6|mac} <ACL-NAME>] [interface <IF-NAME> |  
vlan <VLAN-ID>] [in|out|routed-in|routed-out] [vsx-peer] }
```

### Description

Shows the hit count of the number of times an ACL has matched a packet or frame for ACEs with the `count` keyword. For ACEs without the `count` keyword, a dash is shown in place of a hit count.

Parameter	Description
<code>ip ipv6 mac</code>	Specifies the ACL type: <code>ip</code> for IPv4, <code>ipv6</code> for IPv6, or <code>mac</code> for MAC.
<code>&lt;ACL-NAME&gt;</code>	Specifies the ACL name.
<code>interface &lt;IF-NAME&gt;</code>	Specifies the interface name (port or split port or LAG).
<code>vlan &lt;VLAN-ID&gt;</code>	Specifies the VLAN.
<code>in</code>	Selects the inbound (ingress) traffic direction.
<code>out</code>	Selects the outbound (egress) traffic direction. Available for IPv4 and IPv6 ACLs applied to VLANs and for IPv4 ACLs applied to route-only ports. Not available for ACLs applied to either IPv4 bridged ports or IPv6 ports, or for MAC ACLs applied to ports or VLANs.
<code>routed-in routed-out</code>	Selects the routed traffic direction on which the ACL is applied.  <b>NOTE:</b> This is only available for IPv4 and IPv6 ACLs applied to interface VLANs. <ul style="list-style-type: none"><li>■ <code>routed-in</code> selects the routed inbound (routed ingress) traffic direction.</li><li>■ <code>routed-out</code> selects the routed outbound (routed egress) traffic direction.</li></ul>
<code>vsx-peer</code>	Shows the output from the VSX peer switch. If the switches do not have the VSX configuration or the ISL is down, the output from the VSX peer switch is not displayed. This parameter is available on switches that support VSX.

### Usage

- ACL hit counts are aggregated across all:
  - physical interfaces to which the ACL is applied to on ingress,
  - physical interfaces to which the ACL is applied to on egress,
  - VLANs to which the ACL is applied to on ingress.
  - VLANs to which the ACL is applied to on egress.
  - Interface VLANs to which the IPv4 or IPv6 ACL is applied on routed ingress
  - Interface VLANs to which the IPv4 or IPv6 ACL is applied on routed egress
- If an ACL with an ACE with the `count` keyword is applied to multiple physical interfaces or VLANs, the hit

counts are aggregated. There is one aggregation for physical interfaces and another for VLANs.

- Accumulated hit counts for an applied ACL are cleared upon any modification of the ACL.

## Examples

Showing the hit counts for My\_ip\_ACL applied to port 1/1/2:

```
switch# show access-list hitcounts ip My_ip_ACL interface 1/1/2
Statistics for ACL My_ip_ACL (ipv4):
interface 1/1/1-1/1/2,lag1 (out):
  Matched Packets Configuration
    - 10 permit udp any 172.16.1.0/255.255.255.0
    0 20 permit tcp 172.16.2.0/255.255.0.0 gt 1023 any count
    - 30 permit tcp 172.26.1.0/255.255.255.0 any dscp AF11 ack syn
    0 implicit deny any any any count
```

Showing the hit counts for My\_ip\_ACL applied to VLAN 10:

```
switch# show access-list hitcounts ip My_ip_ACL vlan 10
Statistics for ACL My_ip_ACL (ipv4):
vlan 10,20-100,300 (in):
  Matched Packets Configuration
    - 10 permit udp any 172.16.1.0/255.255.255.0
    0 20 permit tcp 172.16.2.0/255.255.0.0 gt 1023 any count
    - 30 permit tcp 172.26.1.0/255.255.255.0 any dscp AF11 ack syn
    0 implicit deny any any any count
```

Showing the hit counts for My\_ip\_ACL applied to interface VLAN 10:

```
switch# show access-list hitcounts ip My_ip_ACL vlan 10
Statistics for ACL My_ip_ACL (ipv4):
interface vlan 10,20,30 (routed-in):
  Matched Packets Configuration
    - 10 permit udp any 172.16.1.0/255.255.255.0
    0 20 permit tcp 172.16.2.0/255.255.0.0 gt 1023 any count
    - 30 permit tcp 172.26.1.0/255.255.255.0 any dscp AF11 ack syn
    0 implicit deny any any any count
```

Showing the hit counts for My\_ip\_ACL applied on any interface and direction:

```
switch# show access-list hitcounts ip My_ip_ACL vlan 10
switch# show access-list hitcounts ip My_ip_ACL
Statistics for ACL My_ip_ACL (ipv4):
interface 1/1/1 (in):
  Matched Packets Configuration
    - 10 permit udp any 172.16.1.0/255.255.255.0
    0 20 permit tcp 172.16.2.0/255.255.0.0 gt 1023 any count
    - 30 permit tcp 172.26.1.0/255.255.255.0 any dscp AF11 ack syn
    0 implicit deny any any any count

interface 1/1/1-1/1/2,lag1 (out):
  Matched Packets Configuration
    - 10 permit udp any 172.16.1.0/255.255.255.0
    0 20 permit tcp 172.16.2.0/255.255.0.0 gt 1023 any count
    - 30 permit tcp 172.26.1.0/255.255.255.0 any dscp AF11 ack syn
    0 implicit deny any any any count
```

```

interface 1/1/4.1,1/1/10.10 (in):
  Matched Packets Configuration
    - 10 permit udp any 172.16.1.0/255.255.255.0
    0 20 permit tcp 172.16.2.0/255.255.0.0 gt 1023 any count
    - 30 permit tcp 172.26.1.0/255.255.255.0 any dscp AF11 ack syn
    0 implicit deny any any any count

interface 1/1/4.1 (out):
  Matched Packets Configuration
    - 10 permit udp any 172.16.1.0/255.255.255.0
    0 20 permit tcp 172.16.2.0/255.255.0.0 gt 1023 any count
    - 30 permit tcp 172.26.1.0/255.255.255.0 any dscp AF11 ack syn
    0 implicit deny any any any count

interface vlan 10,20,30 (routed-in):
  Matched Packets Configuration
    - 10 permit udp any 172.16.1.0/255.255.255.0
    0 20 permit tcp 172.16.2.0/255.255.0.0 gt 1023 any count
    - 30 permit tcp 172.26.1.0/255.255.255.0 any dscp AF11 ack syn
    0 implicit deny any any any count

interface vlan 80-85 (routed-out):
  Matched Packets Configuration
    - 10 permit udp any 172.16.1.0/255.255.255.0
    0 20 permit tcp 172.16.2.0/255.255.0.0 gt 1023 any count
    - 30 permit tcp 172.26.1.0/255.255.255.0 any dscp AF11 ack syn
    0 implicit deny any any any count

vlan 10,20-100,300 (in):
  Matched Packets Configuration
    - 10 permit udp any 172.16.1.0/255.255.255.0
    0 20 permit tcp 172.16.2.0/255.255.0.0 gt 1023 any count
    - 30 permit tcp 172.26.1.0/255.255.255.0 any dscp AF11 ack syn
    0 implicit deny any any any count

vlan 2-5 (out):
  Matched Packets Configuration
    - 10 permit udp any 172.16.1.0/255.255.255.0
    0 20 permit tcp 172.16.2.0/255.255.0.0 gt 1023 any count
    - 30 permit tcp 172.26.1.0/255.255.255.0 any dscp AF11 ack syn
    0 implicit deny any any any count

vrf blue,default,red (control-plane):
  Matched Packets Configuration
    - 10 permit udp any 172.16.1.0/255.255.255.0
    0 20 permit tcp 172.16.2.0/255.255.0.0 gt 1023 any count
    - 30 permit tcp 172.26.1.0/255.255.255.0 any dscp AF11 ack syn
    0 implicit deny any any any count

```

## Command History

Release	Modification
10.07 or earlier	Updated command output to use interface and VLAN ranges to reflect aggregation.

## Command Information

Platforms	Command context	Authority
All platforms	Operator (>) or Manager (#)	Operators or Administrators or local user group members with execution rights for this command. Operators can execute this command from the operator context (>) only.

## show access-list hitcounts control-plane

```
show access-list hitcounts [{ip|ipv6} <ACL-NAME>] control-plane vrf <VRF-NAME> [vsx-peer]
```

### Description

Shows the hit count of the number of times an ACL (applied to the Control Plane) has matched a packet for ACEs with the `count` keyword. For ACEs without the `count` keyword, a dash is shown in place of a hit count.

Parameter	Description
<code>ip ipv6</code>	Specifies the ACL type: <code>ip</code> for IPv4, or <code>ipv6</code> for IPv6.
<code>&lt;ACL-NAME&gt;</code>	Specifies the ACL name.
<code>vrf &lt;VRF-NAME&gt;</code>	Specifies the VRF name.
<code>vsx-peer</code>	Shows the output from the VSX peer switch. If the switches do not have the VSX configuration or the ISL is down, the output from the VSX peer switch is not displayed. This parameter is available on switches that support VSX.

### Usage

- ACL hit counts are aggregated across all VRFs to which the ACL is applied to on ingress.
- Accumulated hit counts for an applied ACL are cleared upon any modification of the ACL.

### Examples

Showing the hit counts for an IPv4 ACL applied to the Control Plane default VRF:

```
switch# show access-list hitcounts ip My_ipv4_ACL control-plane vrf default
Statistics for ACL My_ip_ACL (ipv4):
vrf default (control-plane):
  Matched Packets Configuration
    - 10 permit udp any 172.16.1.0/255.255.255.0
    0 20 permit tcp 172.16.2.0/255.255.0.0 gt 1023 any count
    - 30 permit tcp 172.26.1.0/255.255.255.0 any dscp AF11 ack syn
    0 implicit deny any any any count
```

### Command History

Release	Modification
10.07 or earlier	--

### Command Information

Platforms	Command context	Authority
All platforms	Operator (>) or Manager (#)	Operators or Administrators or local user group members with execution rights for this command. Operators can execute this command from the operator context (>) only.

## show capacities

show capacities <FEATURE> [vsx-peer]

### Description

Shows system capacities and their values for all features or a specific feature.

Parameter	Description
<FEATURE>	Specifies a feature. For example, aaa or vrrp.
vsx-peer	Shows the output from the VSX peer switch. If the switches do not have the VSX configuration or the ISL is down, the output from the VSX peer switch is not displayed. This parameter is available on switches that support VSX.

### Usage

Capacities are expressed in user-understandable terms. Thus they may not map to a specific hardware or software resource or component. They are not intended to define a feature exhaustively.

### Examples

Showing all available capacities for BGP:

```
switch# show capacities bgp

System Capacities: Filter BGP
Capacities Name                                     Value
-----
Maximum number of AS numbers in as-path attribute   32
...
```

Showing all available capacities for mirroring:

```
switch# show capacities mirroring

System Capacities: Filter Mirroring
Capacities Name                                     Value
-----
Maximum number of Mirror Sessions configurable in a system 4
Maximum number of enabled Mirror Sessions in a system      4
```

Showing all available capacities for MSTP:

```
switch# show capacities mstp
```

```

System Capacities: Filter MSTP
Capacities Name                                     Value
-----
Maximum number of mstp instances configurable in a system      64

```

Showing all available capacities for VLAN count:

```

switch# show capacities vlan-count

System Capacities: Filter VLAN Count
Capacities Name                                     Value
-----
Maximum number of VLANs supported in the system              4094

```

## Command History

Release	Modification
10.07 or earlier	--

## Command Information

Platforms	Command context	Authority
All platforms	Manager (#)	Administrators or local user group members with execution rights for this command.

## show capacities-status

```
show capacities-status <FEATURE> [vsx-peer]
```

### Description

Shows system capacities status and their values for all features or a specific feature.

Parameter	Description
<FEATURE>	Specifies the feature, for example <code>aaa</code> or <code>vrrp</code> for which to display capacities, values, and status. Required.
<code>vsx-peer</code>	Shows the output from the VSX peer switch. If the switches do not have the VSX configuration or the ISL is down, the output from the VSX peer switch is not displayed. This parameter is available on switches that support VSX.

### Examples

Showing the system capacities status for all features:

```
switch# show capacities-status
```



```

System Capacities Status
Capacities Status Name                                     Value
Maximum
-----
-----
Number of active gateway mac addresses in a system         0
 16
Number of aspath-lists configured                          0
 64
Number of community-lists configured                       0
 64
...

```

Showing the system capacities status for BGP:

```

switch# show capacities-status bgp

System Capacities Status: Filter BGP
Capacities Status Name                                     Value
Maximum
-----
-----
Number of aspath-lists configured                          0
 64
Number of community-lists configured                       0
 64
Number of neighbors configured across all VRFs             0
 50
Number of peer groups configured across all VRFs           0
 25
Number of prefix-lists configured                          0
 64
Number of route-maps configured                            0
 64
Number of routes in BGP RIB                                0
256000
Number of route reflector clients configured across all VRFs 0
 16

```

## Command History

Release	Modification
10.07 or earlier	--

## Command Information

Platforms	Command context	Authority
All platforms	Manager (#)	Administrators or local user group members with execution rights for this command.

## show object-group

```

show object-group [{ip|ipv6} address | port] [<OBJECT-GROUP-NAME>] [commands]
[configuration]

```

## Description

Shows information about your defined object groups. When `show object-group` is entered without parameters, information for all object groups is shown. The parameters filter the list of object groups for which information is shown.

Parameter	Description
[{ip ipv6} address   port]	Specifies the object group type, either <code>address</code> for an IP address, or <code>port</code> .
<OBJECT-GROUP-NAME>	Specifies the object group name.
[commands]	Specifies that the object group definition is to be shown as the commands and parameters used to create it rather than in tabular form.
[configuration]	Specifies that the user-configured object groups be shown as configured. The output of the command with this parameter may not be the same as what is active on the switch due to a misconfigured object group. See <i>Examples</i> in this topic.
vsx-peer	Shows the output from the VSX peer switch. If the switches do not have the VSX configuration or the ISL is down, the output from the VSX peer switch is not displayed. This parameter is available on switches that support VSX.

## Examples

Showing configured object groups:

```
switch# show object-group
Type      Name
Sequence L4 Port(s)/IP Address
-----
IPv4      my_address_group
          10 192.168.0.1
          20 192.168.0.3
Port      my_port_group
          10 eq 80
          20 gt 65525

switch#
switch# show object-group commands
object-group ip address my_address_group
  10 192.168.0.1
  20 192.168.0.3
object-group port my_port_group
  10 eq 80
  20 gt 65525
```

Showing a misconfigured object group:

```
switch# show object-group
Type      Name
Sequence L4 Port(s)/IP Address
-----
! object-group ip address My_ip_object_group user configuration does not match
! the active hardware configuration. Run 'object-group ip address NAME reset'
! to reset the object group to match the active hardware configuration.
IPv4      my_address_group
```

```

switch#
switch# show object-group configuration
Type          Name
Sequence L4 Port(s)/IP Address
-----
! object-group ip address My_ip_object_group user configuration does not match
! the active hardware configuration. Run 'object-group ip address NAME reset'
! to reset the object group to match the active hardware configuration.
IPv4          my_address_group
              10 192.168.0.1
              20 192.168.0.3
switch#
switch# show object-group commands
! object-group ip address My_ip_object_group user configuration does not match
! the active hardware configuration. Run 'object-group ip address NAME reset'
! to reset the object group to match the active hardware configuration.
switch#
switch# show object-group commands configuration
! object-group ip address My_ip_object_group user configuration does not match
! the active hardware configuration. Run 'object-group ip address NAME reset'
! to reset the object group to match the active hardware configuration.
object-group ip address my_address_group
              10 192.168.0.1
              20 192.168.0.3

```

Resetting a misconfigured object group:

```

switch(config)# object-group all reset
switch(config)# exit
switch# show object-group
Type          Name
Sequence L4 Port(s)/IP Address
-----
IPv4          my_address_group
switch#
switch# show object-group configuration
Type          Name
Sequence L4 Port(s)/IP Address
-----
IPv4          my_address_group

```

## Command History

Release	Modification
10.07 or earlier	--

## Command Information

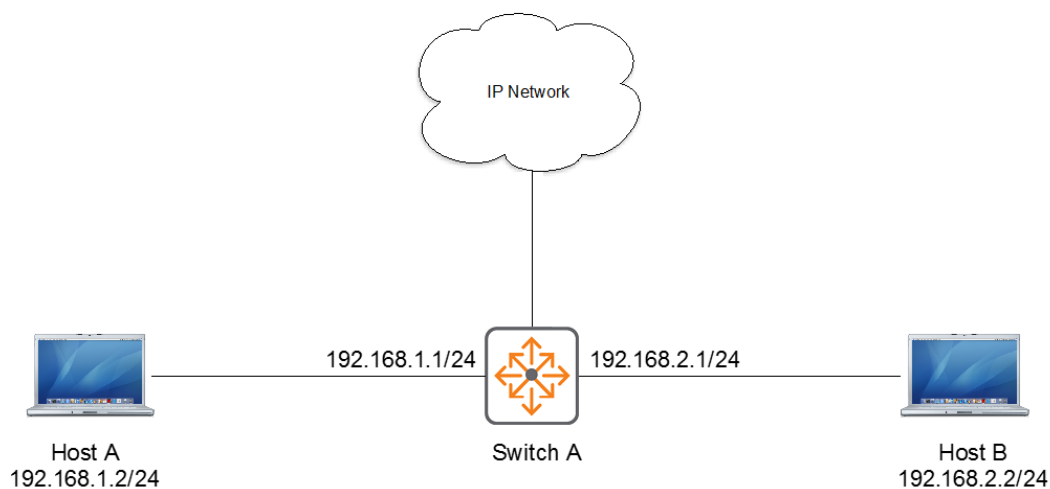
Platforms	Command context	Authority
All platforms	Operator (>) or Manager (#)	Operators or Administrators or local user group members with execution rights for this command. Operators can execute this command from the operator context (>) only.

This chapter shows examples for defining and applying IPv4 and IPv6 ACLs.

### IPv4 ACL example overview

This example:

- Defines and applies an ACL to interface 1/1/1 on Switch A (see image in this topic) so that Host A is not able to send traffic to Host B, but it can communicate with all other devices in the network.
- Counts blocked packets.



### Defining and applying an IPv4 ACL

#### Procedure

1. Begin defining an IPv4 ACL named FILTER\_TO\_HOST\_B:  

```
switch(config) # access-list ip FILTER_TO_HOST_B
```
2. Add an ACE that denies access from IP address 192.168.1.2 (Host A) to 192.168.2.2 (Host B):  

```
switch(config-acl-ip) # deny any 192.168.1.2 192.168.2.2 log
```
3. Add an ACE that allows access from all other IP addresses:  

```
switch(config-acl-ip) # permit any any any
```
4. Exit the ACL definition:  

```
switch(config-acl-ip) # exit
```
5. Enter the context of the interface to which you will apply the ACL:  

```
switch(config) # interface 1/1/1
```
6. Apply the FILTER\_TO\_HOST\_B ACL to inbound (ingress) traffic:

```
switch(config-if)# apply access-list ip FILTER_TO_HOST_B in
```

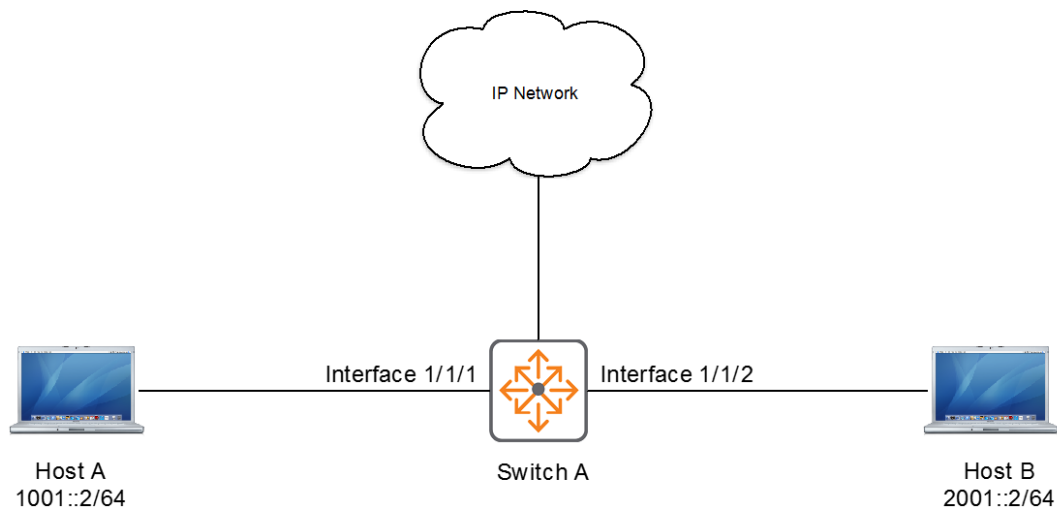
7. Show your ACL:

```
switch(config-if)# exit
switch# show access-list ip FILTER_TO_HOST_B
Type          Name
Sequence      Comment
Action
Source IP Address      L3 Protocol
Destination IP Address Source L4 Port(s)
Additional Parameters  Destination L4 Port(s)
-----
-
IPv4
10  FILTER_TO_HOST_B
   deny          any
   192.168.1.2
   192.168.2.2
   Logging: enabled
   Hit-counts: enabled
20  permit          any
   any
   any
-----
-
```

## IPv6 ACL example overview

This example:

- Defines and applies an ACL to interface 1/1/1 on Switch A (see image in this topic) so that Host A is not able to send traffic to Host B, but it can communicate with all other devices in the network.
- Counts blocked packets.



## Defining and applying an IPv6 ACL

### Procedure

1. Begin defining an IPv6 ACL named V6\_INPUT\_FILTER:  

```
switch(config)# access-list ipv6 V6_INPUT_FILTER
```
2. Add an ACE that denies access to an IP addresses 1001::2 through 2001::2 (includes Host B):  

```
switch(config-acl-ipv6)# deny any 1001::2 2001::2 log
```
3. Add an ACE that allows access from all other IP addresses:  

```
switch(config-acl-ipv6)# permit any any any
```
4. Exit the ACL definition:  

```
switch(config-acl-ipv6)# exit
```
5. Enter the interface to which you will apply the ACL:  

```
switch(config)# interface 1/1/1
```
6. Apply the V6\_INPUT\_FILTER ACL to inbound (ingress) traffic:  

```
switch(config-if)# apply access-list ipv6 V6_INPUT_FILTER in
```
7. Show your ACL:

```
switch(config-if)# exit
switch# show access-list interface 1/1/1
Direction
Type      Name
Sequence  Comment
          Action
          Source IP Address
          Destination IP Address
          Additional Parameters
-----
Inbound
IPv6      V6_INPUT_FILTER
          10
          deny
          1001::2
          2001::2
          Logging: enabled
          Hit-counts: enabled
          20
          permit
          any
          any
-----
```

Classifier policies let a network administrator define sets of rules based on network traffic addressing or other header content, and use these rules to restrict or alter the passage of traffic through the switch. Choosing the rule criteria is called Classification, and one such rule, or list, is called a policy. Classification is achieved by creating a traffic class. The types of classes (MAC, IPv4, and IPv6) are each focused on relevant frame/packet characteristics. Classes can be configured to match or ignore almost any frame or packet header field. Network traffic passing through a switch can be classified based on many different frame/packet characteristics including, but not limited to:

- Frame ingress VLAN ID
- Source and/or destination Ethernet MAC, IPv4, or IPv6 address
- Layer 2 (EtherType) and Layer 3 (IP) protocol
- Layer 4 application ports

A policy contains one or more policy entries, which are listed according to priority by sequence number. A single policy entry contains a class and corresponding policy action. Policy action is taken on traffic matched by its corresponding class. A policy can be applied to an individual front plane port, a Link Aggregation Group (LAG) interface, or a VLAN.



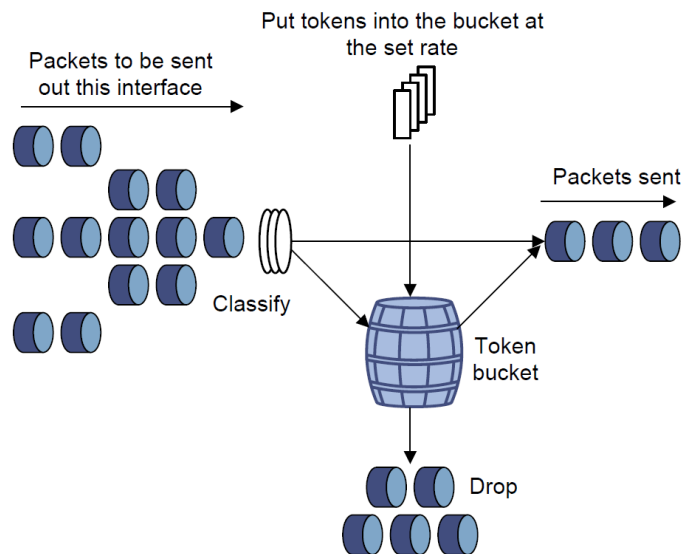
---

See also [ACL and Policy hardware resource considerations](#).

---

## Traffic policing

Traffic policing supports policing of the inbound traffic. A typical application of traffic policing is to supervise the specification of traffic entering a network and limit it within a reasonable range. Another application is to "discipline" the extra traffic to prevent aggressive use of network resources by an application. For example, you can limit bandwidth for HTTP packets to less than 50% of the total. If the traffic of a session exceeds the limit, traffic policing can drop the packets or reset the IP precedence of the packets. In the following illustrated example, outbound traffic is policed:



Traffic policing is widely used in policing traffic entering the ISP networks. It can classify the policed traffic and take predefined policing actions on each packet depending on the evaluation result:

- Forwarding the packet if the evaluation result is "conforming."
- Dropping the packet if the evaluation result is "excess."
- Forwarding the packet with its precedence remarked when the evaluation result is "conforming."

## Types of policy actions

The policy actions are broadly classified in the following categories:

- Remark actions
- Police actions
- Other actions

Each policy entry can have a combination of policy actions from these multiple categories, which are executed in the order of configuration.

### Remark actions

This category contains the following actions:

- **Priority Code Point (PCP):** 3-bit field in layer 2 802.1Q header refers to a class of service and maps to a frame priority level.
- **IP precedence:** 3-bit field in IP header which denotes the importance or priority of the datagram.
- **IP Differentiated Services Code Point (DSCP):** 6-bit field in IP header for packet classification.
- **Local Priority:** Change the internal priority used to queue the packets for transmission. Local priority can be used to rewrite the priority of traffic classes local to the system based on the QoS mapping settings without changing the IP header or the 802.1Q header. Remark actions other than local priority only change packets as they leave the switch. The local priority action can be combined with the other remark actions to remark packets and change the internal priority to reflect the new priority.

### Police actions

Traffic policing meters inbound traffic on an interface or VLAN based on the following traffic parameters:



- Committed information rate (CIR): Bandwidth limit for guaranteed traffic.
- Committed burst size (CBS): Maximum packet size permitted for bursts of data that exceed the CIR.

Based on these parameters, packets are dropped when traffic exceeds the bandwidth limit (CIR) and the burst size for guaranteed traffic (CBS).

### Other actions

Other actions include Drop: Drop the packet, and Mirror: Mirror the packets to a specified mirroring session. For details, see the *Monitoring Guide*.

## How policy matching works

A policy can be applied to an interface or VLAN to affect/control traffic arriving on that interface or VLAN (inbound (ingress)). A single policy entry matches on one or more characteristics of the particular traffic type and has a configured action to continue through the switch. This matching occurs by beginning with the entry with the lowest sequence number. The entry is then compared against the incoming frame to its particular match characteristics. If there is a match, the action is taken.

If there is no match, the match characteristics of the next sequence are compared to the relevant frame/packet details. If there is a match, the specified actions are taken. This process continues until a match is found; otherwise, the packet is permitted to flow through the switch unaltered. The "implicit permit" behavior of policy matching differs from the "implicit deny" behavior of ACL matching.

## Active class configuration versus user-specified configuration

The output of the `show class` command displays the active class configurations. Active class configurations are the classes that have been configured and accepted by the system.

The output of the `show class` command with the `configuration` parameter, displays the classes that have been configured by the user.

Discrepancies might occur between the active class configurations and the user-specified configurations. In the user-specified class configurations, unsupported command parameters may have been configured, or class can be modified after policy application and may have been unsuccessful due to lack of hardware resources.

To determine if a discrepancy exists between what was configured and what is active, run any variant of the `show class` command. If the active classes and configured classes are not the same, a warning message is displayed.

```
! class MY_CLASS user configuration does not match active configuration.  
! run 'class TYPE NAME reset' to reset class to match active configuration.
```

If the configured class is processing and you entered the `show class` command with parameters, the following in-progress message is displayed:

```
! class ip MY_CLASS user configuration currently being processed  
! run 'class TYPE NAME reset' to reset class to match active configuration.
```

If the configured class is processing and you entered the `show class` command without parameters, the following in-progress message is displayed:

```
% Warning: MY_CLASS user configuration currently being processed
% run 'class TYPE NAME reset' to reset class to match active configuration.
```

If the warning message or in-progress message is displayed, additional changes may be made until the error message is no longer displayed. Or you can use the `class {all|ip <class-name>|ipv6 <class-name>|mac <class-name>} reset` command to change the user-specified configuration to match the active configuration.



---

The `show running-config` command also shows a warning about classes that are in progress or failed.

---

## Example

Resetting the user-specified class configuration to the active configuration:

```
switch(config)# class all reset
```

## Active policy configuration versus user-specified configuration

The output of the `show policy` command displays the active policy configurations. Active policy configurations are the policies that have been configured and accepted by the system. With applied policies, the active configuration displays the interfaces on which the policies have successfully been programmed in hardware.

The output of the `show policy` command with the `configuration` parameter, displays the policies that have been configured by the user.

Discrepancies might exist between the active policy configurations and the user-specified configurations. In the user-specified policy configurations, unsupported command parameters might have been configured, or an application of a policy might have been unsuccessful because of a lack of hardware resources.

To determine if a discrepancy exists between the configuration and what is active, run any variant of the `show policy` command. If the active policies and configured policies are not the same, a warning message is displayed in the output of the `show` command.

```
! policy MY_POLICY user configuration does not match active configuration.
! run 'policy NAME reset' to reset policy to match active configuration.
```

The switch displays an `in progress` message while it processes the configured policy:

```
! policy MY_POLICY user configuration currently being processed
! run 'policy NAME reset' to reset policy to match active configuration.
```

If the warning message or in progress message is displayed, additional changes may be made until the error message is no longer displayed. Or you can use the `policy <policy-name> reset` command to change the user-specified configuration to match the active configuration.

## Example

Resetting `MY_POLICY`:

```
switch(config)# policy MY_POLICY reset
```

## Considerations for when a policy is applied per interface



This section is only applicable to polices applied to physical interfaces and LAGs using the `per-interface` parameter.

The `reset` command (mentioned in the previous section) is not useful if one or more unique instances of a policy created using the `per-interface` parameter fail to update in hardware even though the parent policy does update. If this occurs, you can make additional changes to the policy and its applications to correct the discrepancy until the error messages are no longer displayed. Alternatively consider using command `checkpoint-rollback` as described in the *AOS-CX Fundamentals Guide*.

Policies using the `per-interface` parameter have slightly different warning and in-progress messages due to unique instances of the policy being created and applied to individual physical interfaces and LAGs.

For example, this is how the warning messages will appear if the unique instances of the policy for interfaces 1/1/2-1/1/3 fail to update while the unique instances of the policy for interfaces 1/1/1,1/1/4 successfully update.

```
switch(config)# show policy commands
! policy my_policy user configuration does not match active configuration on
interface 1/1/2 for ingress.
! policy my_policy user configuration does not match active configuration on
interface 1/1/3 for ingress.
policy my_policy
  10 class ip my_ip_class action drop
interface 1/1/1
  apply policy my_policy in per-interface
! policy my_policy user configuration does not match active configuration.
interface 1/1/2
  apply policy my_policy in per-interface
! policy my_policy user configuration does not match active configuration.
interface 1/1/3
  apply policy my_policy in per-interface
interface 1/1/4
  apply policy my_policy in per-interface

switch(config)# show policy
      Name
Sequence Comment
      Class Type
              action
-----
% Warning: my_policy user configuration does not match active configuration on
interface 1/1/2 for ingress.
% Warning: my_policy user configuration does not match active configuration on
interface 1/1/3 for ingress.
my_policy
  10
    my_ip_class ipv4
      drop
```

This is how the in-progress messages will appear if the child policies for interfaces 1/1/2-1/1/3 are currently updating while the child policies for interfaces 1/1/1,1/1/4 have successfully updated.

```

switch(config)# show policy commands
! policy my_policy user configuration currently being processed on interface 1/1/2
for ingress.
! policy my_policy user configuration currently being processed on interface 1/1/3
for ingress.
! run 'show policy [commands]' to display active policy configuration.
policy my_policy
  10 class ip my_ip_class action drop
interface 1/1/1
  apply policy my_policy in per-interface
! policy my_policy user configuration currently being processed
! run 'show policy [commands]' to display active policy configuration.
interface 1/1/2
  apply policy my_policy in per-interface
! policy my_policy user configuration currently being processed
! run 'show policy [commands]' to display active policy configuration.
interface 1/1/3
  apply policy my_policy in per-interface
interface 1/1/4
  apply policy my_policy in per-interface

switch(config)# show policy
      Name
Sequence Comment
      Class Type
              action
-----
% Warning: my_policy user configuration currently being processed on interface 1/1/2
for ingress.
% Warning: my_policy user configuration currently being processed on interface 1/1/3
for ingress.
%      run 'show policy [commands]' to display active policy configuration.
      my_policy
      10
        my_ip_class ipv4
          drop

```

This is how the warning messages will appear if the child policies for interfaces 1/1/2-1/1/3 failed to apply or replace while the child policies for interfaces 1/1/1,1/1/4 have successfully applied or replaced.

```

switch(config)# show policy commands
policy my_policy
  10 class ip my_ip_class action drop
interface 1/1/1
  apply policy my_policy in per-interface
! policy my_policy user configuration does not match active configuration.
! run 'policy NAME reset' to reset policy to match active configuration.
interface 1/1/2
  apply policy my_policy in per-interface
! policy my_policy user configuration does not match active configuration.
! run 'policy NAME reset' to reset policy to match active configuration.
interface 1/1/3
  apply policy my_policy in per-interface
interface 1/1/4
  apply policy my_policy in per-interface

switch(config)# show policy
      Name
Sequence Comment
      Class Type
              action

```

```

-----
my_policy
10
  my_ip_class ipv4
    drop

```

## Classifier policy commands

### Classifier policy application

Classifier policies can be applied as follows ("Rt-In" = "Routed-In"):

Policy type Direction	IPv4 In	IPv4 Rt-In	IPv6 In	IPv6 Rt-In	IPv4+6 In	IPv4+6 Rt-In	MAC In
L2 interface (port)	Yes		Yes		Yes		Yes
L2 LAG	Yes		Yes		Yes		Yes
L3 interface (port)	Yes	Yes	Yes	Yes	Yes	Yes	Yes
L3 LAG	Yes	Yes	Yes	Yes	Yes	Yes	Yes
VLAN	Yes		Yes		Yes		Yes
Interface VLAN		Yes (PBR)		Yes (PBR)		Yes (PBR)	

Policies cannot match multicast packets on the routed in direction.

The following match criteria are not supported. If any of these match criteria are attempted to be configured, an error message will be displayed and the action will not be completed.

8320, 8325 Switch Series:



```

TCP flags CWR and ECE
TCP flags and TTL (hop limit) on IP classes
Fragment on IPv6 classes in VLAN policies
VLAN ID in VLAN policies

```

8320 Switch Series only:

```

IPv4 AH on inbound classes

```

### apply policy (config)

```

apply policy <POLICY-NAME> in
no apply policy <POLICY-NAME> in

```

#### Description

Applies a policy to the global config context.

Only one policy can be globally applied at a time. Applying a policy globally again, replaces the previous globally applied policy.

The `no` form of this command removes application of the global policy.

Parameter	Description
<POLICY-NAME>	Specifies the policy to apply.
in	Selects the inbound (ingress) traffic direction.

## Examples

Applying policy `global1` to the global config context:

```
switch(config)# apply policy global1 in
```

Removing application of policy `global1` from the global config context:

```
switch(config)# no apply policy global1 in
```

## Command History

Release	Modification
10.07 or earlier	--

## Command Information

Platforms	Command context	Authority
8320 8325	config	Administrators or local user group members with execution rights for this command.

## apply policy (config-if, config-lag-if, config-if-vlan, config-vlan)

### Context config-if, config-lag-if:

```
apply policy <POLICY-NAME> {in|out|routed-in} [per-interface]  
no apply policy <POLICY-NAME> {in|out|routed-in} [per-interface]
```

### Context config-vlan:

```
apply policy <POLICY-NAME> {in|out}  
no apply policy <POLICY-NAME> {in|out}
```

### Context config-if-vlan:

```
apply policy <POLICY-NAME> routed-in  
no apply policy <POLICY-NAME> routed-in
```

## Description

Applies a policy to the current physical interface port or LAG or VLAN context.

Only one direction of a policy can be applied to an interface or VLAN at a time, thus using the `apply` command on an interface or VLAN with an already-applied policy of the same direction will replace the currently applied policy.



The VLAN context supports the `in` and `out` directions, which apply to both bridged and routed traffic. The Interface VLAN context only supports the `routed-in` direction which applies only to routed traffic.

The `no` form of this command removes a policy from the interface or VLAN specified by the current context.

Parameter	Description
<code>&lt;POLICY-NAME&gt;</code>	Specifies the policy to apply.
<code>in</code>	Selects the inbound (ingress) traffic direction.
<code>out</code>	Selects the outbound (egress) traffic direction.
<code>routed-in</code>	Selects routed in traffic.
<code>per-interface</code>	Specifies that unique instances of the policy be applied to each interface or LAG rather than the default of sharing the policy across all interfaces and LAGs.

### Usage (applies to `config-if`, `config-lag-if` contexts)

- When `per-interface` is included, unique instances of the policy are applied to each physical interface port or LAG rather than the default of sharing the policy across all interfaces and LAGs. The unique instance of a policy has a parent-child relationship with the policy from which it was created. The `per-interface` option is useful when you want unique policers to be created for each interface or LAG rather than using shared policers. It is also useful when you want the statistics (hit counts and conform rate) to be specific to an interface or LAG rather than being aggregated. Because `per-interface` creates more hardware instances of a policy, resource consumption may increase significantly. It is recommended that you use `show resources` to monitor resource utilization as configuration is applied.

### Usage (applies to `config-vlan` context)

- Only one policy type may be applied to a VLAN at a time. Therefore, using the `apply policy` command on a VLAN with an already-applied policy of the same type, will replace the applied policy.

### Examples

Applying a policy to an interface (ingress):

```
switch(config)# interface 1/1/1
switch(config-if)# apply policy MY_POLICY1 in
```

Applying a policy to an interface (ingress) specifying `per-interface`:

```
switch(config)# interface 1/1/2
switch(config-if)# apply policy MY_POLICY1 in per-interface
```

Applying a policy to an interface (egress):

```
switch(config)# interface 1/1/2
switch(config-if)# apply policy MY_POLICY2 out
```

Applying a policy to an interface (egress) specifying `per-interface`:

```
switch(config)# interface 1/1/2
switch(config-if)# apply policy MY_POLICY2 out per-interface
```

Applying a policy to an interface range (ingress):

```
switch(config)# interface 1/1/3-1/1/6
switch(config-if-<1/1/2-1/1/5>)# apply policy MY_POLICY3 in
```

Applying a policy to an interface range (ingress) specifying `per-interface`:

```
switch(config)# interface 1/1/7-1/1/9
switch(config-if-<1/1/2-1/1/5>)# apply policy MY_POLICY4 in per-interface
```

Removing a policy from an interface (ingress):

```
switch(config)# interface 1/1/1
switch(config-if)# no apply policy MY_POLICY1 in
```

Removing a policy from an interface range (ingress):

```
switch(config)# interface 1/1/3-1/1/6
switch(config-if-<1/1/3-1/1/6>)# no apply policy MY_POLICY3 in
```

Applying a policy to a LAG (ingress):

```
switch(config)# interface lag 100
switch(config-lag-if)# apply policy MY_POLICY5 in
```

Applying a policy to a LAG (ingress) specifying `per-interface`:

```
switch(config)# interface lag 200
switch(config-lag-if)# apply policy MY_POLICY5 in per-interface
```

Removing a policy from a LAG (ingress):

```
switch(config)# interface lag 100
switch(config-lag-if)# no apply policy MY_POLICY5 in
```

Applying a policy to a VLAN (ingress):

```
switch(config)# vlan 1
switch(config-vlan)# apply policy MY_POLICY6 in
```

Applying a policy to multiple VLANs (ingress):



```
switch(config)# vlan 10,20
switch(config-vlan-<10,20>)# apply policy MY_POLICY7 in
```

Applying a policy to an interface VLAN routed (ingress):

```
switch(config)# vlan 1
switch(config-if-vlan)# apply policy MY_POLICY8 routed-in
```

Applying a policy to an interface VLAN range routed (ingress):

```
switch(config)# vlan 2-5
switch(config-if-vlan-<2-5>)# apply policy MY_POLICY8 routed-in
```

Removing a policy from a VLAN (ingress):

```
switch(config)# vlan 1
switch(config-vlan)# no apply policy MY_POLICY6 in
```

Removing a policy from multiple VLANs (ingress):

```
switch(config)# vlan 10,20
switch(config-vlan-<10,20>)# no apply policy MY_POLICY7 in
```

Removing a policy from an interface VLAN routed (ingress):

```
switch(config)# vlan 1
switch(config-if-vlan)# no apply policy MY_POLICY8 routed-in
```

Removing a policy from an interface VLAN range routed (ingress):

```
switch(config)# vlan 2-5
switch(config-if-vlan-<2-5>)# no apply policy MY_POLICY8 routed-in
```

## Command History

Release	Modification
10.08	Added [per-interface] parameter. Updated examples.
10.07 or earlier	--

## Command Information

Platforms	Command context	Authority
All platforms	config-if config-lag-if	Administrators or local user group members with execution rights for this command.

Platforms	Command context	Authority
	config-vlan config-if-vlan	

## class copy

```
class {ip|ipv6|mac} <CLASS-NAME> copy <DESTINATION-CLASS>
```

### Description

Copies a class to a new destination class or overwrites an existing class. Copying a class copies all entries as well.

Parameter	Description
{ip ipv6 mac} <CLASS-NAME>	Specifies the type and name of the class to be copied.
<DESTINATION-CLASS>	Specifies the name of the destination class.

### Examples

Copying an IPv4 class. Copying a class with entries copies all its entries as well:

```
switch(config)# class ip MY_IP_CLASS copy MY_IP_CLASS2
switch(config)# do show class
Type      Name
Sequence  Comment
          Action          L3 Protocol
          Source IP Address  Source L4 Port(s)
          Destination IP Address  Destination L4 Port(s)
          Additional Parameters
-----
IPv4      MY_IP_CLASS
  11      ignore          udp
          any
          any
  21      match          tcp
          192.168.0.1
          192.168.0.2
-----
IPv4      MY_IP_CLASS2
  11      ignore          udp
          any
          any
  21      match          tcp
          192.168.0.1
          192.168.0.2
```

Copying an IPv6 class:

```
switch(config)# class ipv6 MY_IPV6_CLASS copy MY_IPV6_CLASS2
switch(config)# do show class
Type      Name
Sequence  Comment
          Action          L3 Protocol
          Source IP Address  Source L4 Port(s)
```

	Destination IP Address Additional Parameters	Destination L4 Port(s)
IPv6	MY_IPV6_CLASS 2 ignore any any	udp
IPv6	MY_IPV6_CLASS2 2 ignore any any	udp

### Copying a MAC class:

```
switch(config)# class mac MY_MAC_CLASS copy MY_MAC_CLASS2
switch(config)# do show class
```

Type	Name	Sequence	Comment	Action	EtherType	Source MAC Address	Destination MAC Address	Additional Parameters
MAC	MY_MAC_CLASS	2	ignore		arp			any any
MAC	MY_MAC_CLASS2	2	ignore		arp			any any

### Command History

Release	Modification
10.07 or earlier	--

### Command Information

Platforms	Command context	Authority
All platforms	config	Administrators or local user group members with execution rights for this command.

## class ip

Syntax to create an IPv4 class and enter its context. Plus syntax to remove a class:

```
class ip <CLASS-NAME>
```

```
no class ip <CLASS-NAME>
```

Syntax (within the class context) for creating or removing class entries for protocols `ah`, `gre`, `esp`, `igmp`, `ospf`, `pim` (`ip` is available as an alias for `any`):

```

[<SEQUENCE-NUMBER>]
{match|ignore}
{any|ip|ah|gre|esp|igmp|ospf|pim|<IP-PROTOCOL-NUM>}
{any|<SRC-IP-ADDRESS>[/<PREFIX-LENGTH>|<SUBNET-MASK>]}
{any|<DST-IP-ADDRESS>[/<PREFIX-LENGTH>|<SUBNET-MASK>]}
[dscp <DSCP-SPECIFIER>] [ecn <ECN-VALUE>] [ip-precedence <IP-PRECEDENCE-VALUE>]
[tos <TOS-VALUE>] [fragment] [vlan <VLAN-ID>] [ttl <TTL-VALUE>] [count]

no <SEQUENCE-NUMBER>

```

Syntax (within the class context) for creating or removing class entries for protocols sctp, tcp, udp:

```

[<SEQUENCE-NUMBER>]
{match|ignore}
{sctp|tcp|udp}
{any|<SRC-IP-ADDRESS>[/<PREFIX-LENGTH>|<SUBNET-MASK>]}
[{eq|gt|lt} <PORT>|range <MIN-PORT> <MAX-PORT>]
{any|<DST-IP-ADDRESS>[/<PREFIX-LENGTH>|<SUBNET-MASK>]}
[{eq|gt|lt} <PORT>|range <MIN-PORT> <MAX-PORT>]
[urg] [ack] [psh] [rst] [syn] [fin] [established]
[dscp <DSCP-SPECIFIER>] [ecn <ECN-VALUE>] [ip-precedence <IP-PRECEDENCE-VALUE>]
[tos <TOS-VALUE>] [fragment] [vlan <VLAN-ID>] [ttl <TTL-VALUE>] [count]

no <SEQUENCE-NUMBER>

```

Syntax (within the class context) for creating or removing class entries for protocol icmp:

```

[<SEQUENCE-NUMBER>]
{match|ignore}
{icmp}
{any|<SRC-IP-ADDRESS>[/<PREFIX-LENGTH>|<SUBNET-MASK>]}
{any|<DST-IP-ADDRESS>[/<PREFIX-LENGTH>|<SUBNET-MASK>]}
[icmp-type {echo|echo-reply|<ICMP-TYPE-VALUE>}] [icmp-code <ICMP-CODE-VALUE>]
[dscp <DSCP-SPECIFIER>] [ecn <ECN-VALUE>] [ip-precedence <IP-PRECEDENCE-VALUE>]
[tos <TOS-VALUE>] [fragment] [vlan <VLAN-ID>] [ttl <TTL-VALUE>] [count]

no <SEQUENCE-NUMBER>

```

Syntax (within the class context) for class entry comments:

```

[<SEQUENCE-NUMBER>] comment <TEXT-STRING>

no <SEQUENCE-NUMBER> comment

```

## Description

Creates or modifies an IPv4 traffic class to match specified packets. Class is composed of one or more class entries ordered and prioritized by sequence numbers. With this command, the class can classify traffic based on IPv4 header information.

The `no` form of the command can be used to delete either an IPv4 traffic class (use `no` with the class command) or an individual IPv4 traffic class entry (use `no` with the sequence number).

Parameter	Description
ip	Specifies create or modify an IPv4 class.
<CLASS-NAME>	Specifies the name of this class.
<SEQUENCE-NUMBER>	Specifies a sequence number for the class entry. Optional. Range: 1-4294967295.

Parameter	Description
{match ignore}	Creates a rule to match or ignore specified packets.
<IP-PROTOCOL-NUM>	Specifies the protocol as its Internet Protocol number. For example, 2 corresponds to the IGMP protocol. Range: 0 to 255.
{any <SRC-IP-ADDRESS>[/{<PREFIX-LENGTH> <SUBNET-MASK>}]}	Specifies the source IPv4 address. <ul style="list-style-type: none"> <li>■ any - specifies any source IPv4 address.</li> <li>■ &lt;SRC-IP-ADDRESS&gt; - specifies the source IPv4 host address. <ul style="list-style-type: none"> <li>○ &lt;PREFIX-LENGTH&gt; - specifies the address bits to mask (CIDR subnet mask notation). Range: 1 to 32.</li> <li>○ &lt;SUBNET-MASK&gt; - specifies the address bits to mask (dotted decimal notation).</li> </ul> </li> </ul>
{any <DST-IP-ADDRESS>[/{<PREFIX-LENGTH> <SUBNET-MASK>}]}	Specifies the destination IPv4 address. <ul style="list-style-type: none"> <li>■ any - specifies any destination IPv4 address.</li> <li>■ &lt;DST-IP-ADDRESS&gt; - specifies the destination IPv4 host address. <ul style="list-style-type: none"> <li>○ &lt;PREFIX-LENGTH&gt; - specifies the address bits to mask (CIDR subnet mask notation). Range: 1 to 32.</li> <li>○ &lt;SUBNET-MASK&gt; - specifies the address bits to mask (dotted decimal notation).</li> </ul> </li> </ul>
[{eq gt lt} <PORT> range <MIN-PORT><MAX-PORT>]	Specifies the port or port range. Port numbers are in the range of 0 to 65535. <ul style="list-style-type: none"> <li>■ eq &lt;PORT&gt; - specifies the Layer 4 port.</li> <li>■ gt &lt;PORT&gt; - specifies any Layer 4 port greater than the indicated port.</li> <li>■ lt &lt;PORT&gt; - specifies any Layer 4 port less than the indicated port.</li> <li>■ range &lt;MIN-PORT&gt; &lt;MAX-PORT&gt; - specifies the Layer 4 port range.</li> </ul>
urg	Specifies matching on the TCP Flag: Urgent.

Parameter	Description
ack	Specifies matching on the TCP Flag: Acknowledgment.
psh	Specifies matching on the TCP Flag: Push buffered data to receiving application.
rst	Specifies matching on the TCP Flag: Reset the connection.
syn	Specifies matching on the TCP Flag: Synchronize sequence numbers.
fin	Specifies matching on the TCP Flag: Finish connection.
established	Specifies matching on the TCP Flag: Established connection.
dscp <DSCP-SPECIFIER>	<p>Specifies the Differentiated Services Code Point (DSCP), either a numeric &lt;DSCP-VALUE&gt; (0 to 63) or one of these keywords:</p> <ul style="list-style-type: none"> <li>■ AF11 - DSCP 10 (Assured Forwarding Class 1, low drop probability)</li> <li>■ AF12 - DSCP 12 (Assured Forwarding Class 1, medium drop probability)</li> <li>■ AF13 - DSCP 14 (Assured Forwarding Class 1, high drop probability)</li> <li>■ AF21 - DSCP 18 (Assured Forwarding Class 2, low drop probability)</li> <li>■ AF22 - DSCP 20 (Assured Forwarding Class 2, medium drop probability)</li> <li>■ AF23 - DSCP 22 (Assured Forwarding Class 2, high drop probability)</li> <li>■ AF31 - DSCP 26 (Assured Forwarding Class 3, low drop probability)</li> <li>■ AF32 - DSCP 28 (Assured Forwarding Class 3, medium drop probability)</li> <li>■ AF33 - DSCP 30 (Assured Forwarding Class 3, high drop probability)</li> <li>■ AF41 - DSCP 34 (Assured</li> </ul>

Parameter	Description
	<p>Forwarding Class 4, low drop probability)</p> <ul style="list-style-type: none"> <li>■ AF42 - DSCP 36 (Assured Forwarding Class 4, medium drop probability)</li> <li>■ AF43 - DSCP 38 (Assured Forwarding Class 4, high drop probability)</li> <li>■ CS0 - DSCP 0 (Class Selector 0: Default)</li> <li>■ CS1 - DSCP 8 (Class Selector 1: Scavenger)</li> <li>■ CS2 - DSCP 16 (Class Selector 2: OAM)</li> <li>■ CS3 - DSCP 24 (Class Selector 3: Signaling)</li> <li>■ CS4 - DSCP 32 (Class Selector 4: Realtime)</li> <li>■ CS5 - DSCP 40 (Class Selector 5: Broadcast video)</li> <li>■ CS6 - DSCP 48 (Class Selector 6: Network control)</li> <li>■ CS7 - DSCP 56 (Class Selector 7)</li> <li>■ EF - DSCP 46 (Expedited Forwarding)</li> </ul>
ecn <ECN-VALUE>	Specifies an Explicit Congestion Notification value. Range: 0 to 3.
ip-precedence <IP-PRECEDENCE-VALUE>	Specifies an IP precedence value. Range: 0 to 7.
tos <TOS-VALUE>	Specifies the Type of Service value. Range: 0 to 31.
fragment	Specifies a fragment packet.
vlan <VLAN-ID>	<p>Specifies VLAN tag to match on. 802.1Q VLAN ID.</p> <p><b>NOTE:</b> This parameter cannot be used in any class that will be applied to a VLAN.</p>
ttl <TTL-VALUE>	Specifies a time-to-live (hop limit) value. Range: 0 to 255.
count	Keeps the hit counts of the number of packets matching this class entry.

Parameter	Description
[<SEQUENCE-NUMBER>] comment <TEXT-STRING>	Adds a comment to a class entry. The <code>no</code> form removes only the comment from the class entry.

## Usage

- Entering an existing <CLASS-NAME> value will cause the existing class to be modified, with any new <SEQUENCE-NUMBER> value creating an additional class entry, and any existing <SEQUENCE-NUMBER> value replacing the existing class entry with the same sequence number.
- If no sequence number is specified, a new class entry will be appended to the end of the class with a sequence number equal to the highest class entry currently in the list plus 10.
- If the <IP-PROTOCOL-NUM> parameter is used instead of a protocol name, ensure that any needed class entry-definition parameters specific to the selected protocol are also provided.

## Examples

Creating an IPv4 class with three entries:

```
switch(config)# class ip MY_IP_CLASS
switch(config-class-ip)# 10 match icmp any any
switch(config-class-ip)# 20 ignore udp any any
switch(config-class-ip)# 30 match tcp 192.168.0.1 192.168.0.2
switch(config-class-ip)# exit

switch(config)# do show class
Type      Name
Sequence Comment
          Action                L3 Protocol
          Source IP Address       Source L4 Port(s)
          Destination IP Address  Destination L4 Port(s)
          Additional Parameters
-----
IPv4      MY_IP_CLASS
          10 match                    icmp
          any
          any
          20 ignore                udp
          any
          any
          30 match                    tcp
          192.168.0.1
          192.168.0.2
```

Adding a comment to an existing IPv4 class entry:

```
switch(config)# class ip MY_IP_CLASS
switch(config-class-ip)# 30 comment myipClass
switch(config-class-ip)# exit

switch(config)# do show class
Type      Name
Sequence Comment
          Action                L3 Protocol
          Source IP Address       Source L4 Port(s)
          Destination IP Address  Destination L4 Port(s)
```



Additional Parameters			
Type	Name	Sequence	Comment
IPv4	MY_IP_CLASS		
		10	match any any icmp
		20	ignore any any udp
		30	myipClass match 192.168.0.1 192.168.0.2 tcp

Removing a comment from an existing IPv4 class entry:

```
switch(config)# class ip MY_IP_CLASS
switch(config-class-ip)# no 30 comment
switch(config-class-ip)# exit

switch(config)# do show class
Type      Name
Sequence  Comment
Action    L3 Protocol
Source IP Address Source L4 Port(s)
Destination IP Address Destination L4 Port(s)
Additional Parameters
-----
IPv4      MY_IP_CLASS
10 match any any icmp
20 ignore any any udp
30 match 192.168.0.1 192.168.0.2 tcp
```

Replacing an IPv4 class entry in an existing class:

```
switch(config)# class ip MY_IP_CLASS
switch(config-class-ip)# 10 match igmp any any
switch(config-class-ip)# exit

switch(config)# do show class
Type      Name
Sequence  Comment
Action    L3 Protocol
Source IP Address Source L4 Port(s)
Destination IP Address Destination L4 Port(s)
Additional Parameters
-----
IPv4      MY_IP_CLASS
10 match any any igmp
20 ignore any any udp
```

```

any
30 match                                tcp
    192.168.0.1
    192.168.0.2

```

Removing an IPv4 class entry:

```

switch(config)# class ip MY_IP_CLASS
switch(config-class-ip)# no 10
switch(config-class-ip)# exit

switch(config)# do show class
Type      Name
Sequence Comment
          Action                L3 Protocol
          Source IP Address      Source L4 Port(s)
          Destination IP Address  Destination L4 Port(s)
          Additional Parameters
-----
IPv4      MY_IP_CLASS
          20 ignore                    udp
          any
          any
          30 match                    tcp
          192.168.0.1
          192.168.0.2

```

Removing an IPv4 class. Removing a class with entries removes all its entries as well. If a class associated with a policy entry (or multiple policy entries) is removed, the corresponding entries are also removed.




---

The corresponding entries are only removed if the class is unused by all policy entries.

---

```

switch(config)# no class ip MY_IP_CLASS

switch(config)# do show class
No Class found.

```

## Command History

Release	Modification
10.07 or earlier	--

## Command Information

Platforms	Command context	Authority
All platforms	config The <code>class ip &lt;CLASS-NAME&gt;</code> command takes you into the <code>config-class-ip</code> context where you enter the class entries.	Administrators or local user group members with execution rights for this command.

## class ipv6

Syntax to create an IPv6 class and enter its context. Plus syntax to remove a class:

```
class ipv6 <CLASS-NAME>
no class ipv6 <CLASS-NAME>
```

Syntax (within the class context) for creating or removing class entries for protocols ah, gre, esp, igmp, ospf, pim (ipv6 is available as an alias for any):

```
[<SEQUENCE-NUMBER>]
{match|ignore}
{any|ipv6|ah|gre|esp|igmp|ospf|pim|<IP-PROTOCOL-NUM>}
{any|<SRC-IP-ADDRESS>[/{<PREFIX-LENGTH>|<SUBNET-MASK>}]}
{any|<DST-IP-ADDRESS>[/{<PREFIX-LENGTH>|<SUBNET-MASK>}]}
[dscp <DSCP-SPECIFIER>] [ecn <ECN-VALUE>] [ip-precedence <IP-PRECEDENCE-VALUE>]
[tos <TOS-VALUE>] [fragment] [vlan <VLAN-ID>] [ttl <TTL-VALUE>] [count]

no <SEQUENCE-NUMBER>
```

Syntax (within the class context) for creating or removing class entries for protocols sctp, tcp, udp:

```
[<SEQUENCE-NUMBER>]
{match|ignore}
{sctp|tcp|udp}
{any|<SRC-IP-ADDRESS>[/{<PREFIX-LENGTH>|<SUBNET-MASK>}]}
[{eq|gt|lt} <PORT>|range <MIN-PORT> <MAX-PORT>]
{any|<DST-IP-ADDRESS>[/{<PREFIX-LENGTH>|<SUBNET-MASK>}]}
[{eq|gt|lt} <PORT>|range <MIN-PORT> <MAX-PORT>]
[urg] [ack] [psh] [rst] [syn] [fin] [established]
[dscp <DSCP-SPECIFIER>] [ecn <ECN-VALUE>] [ip-precedence <IP-PRECEDENCE-VALUE>]
[tos <TOS-VALUE>] [fragment] [vlan <VLAN-ID>] [ttl <TTL-VALUE>] [count]

no <SEQUENCE-NUMBER>
```

Syntax (within the class context) for creating or removing class entries for protocol icmpv6:

```
[<SEQUENCE-NUMBER>]
{permit|deny}
{icmpv6}
{any|<SRC-IP-ADDRESS>[/{<PREFIX-LENGTH>|<SUBNET-MASK>}]}
{any|<DST-IP-ADDRESS>[/{<PREFIX-LENGTH>|<SUBNET-MASK>}]}
[icmp-type {echo|echo-reply|<ICMP-TYPE-VALUE>}] [icmp-code <ICMP-CODE-VALUE>]
[dscp <DSCP-SPECIFIER>] [ecn <ECN-VALUE>] [ip-precedence <IP-PRECEDENCE-VALUE>]
[tos <TOS-VALUE>] [fragment] [vlan <VLAN-ID>] [ttl <TTL-VALUE>] [count]

no <SEQUENCE-NUMBER>
```

Syntax (within the class context) for class entry comments:

```
[<SEQUENCE-NUMBER>] comment <TEXT-STRING>

no <SEQUENCE-NUMBER> comment
```

## Description

Creates or modifies an IPv6 traffic class to match specified packets. Class is composed of one or more class entries ordered and prioritized by sequence numbers. With this command, each class can classify traffic based on IPv6 header information.

The `no` form of the command deletes either an IPv6 traffic class (use `no` with the class command) or an individual IPv6 traffic class entry (use `no` with the sequence number).

Parameter	Description
ipv6	Specifies create or modify an IPv6 class.

Parameter	Description
<CLASS-NAME>	Specifies the name of this class.
<SEQUENCE-NUMBER>	Specifies a sequence number for the class entry. Optional. Range: 1-4294967295.
{match ignore}	Creates a rule to match or ignore specified packets.
<IP-PROTOCOL-NUM>	Specifies the protocol as its Internet Protocol number. For example, 2 corresponds to the IGMP protocol. Range: 0 to 255.
{any <SRC-IP-ADDRESS>[/{<PREFIX-LENGTH> <SUBNET-MASK>}]}	Specifies the source IPv6 address. <ul style="list-style-type: none"> <li>■ any - specifies any source IPv6 address.</li> <li>■ &lt;SRC-IP-ADDRESS&gt; - specifies the source IPv4 host address. <ul style="list-style-type: none"> <li>○ &lt;PREFIX-LENGTH&gt; - specifies the address bits to mask (CIDR subnet mask notation). Range: 1 to 32.</li> <li>○ &lt;SUBNET-MASK&gt; - specifies the address bits to mask (dotted decimal notation).</li> </ul> </li> </ul>
{any <DST-IP-ADDRESS>[/{<PREFIX-LENGTH> <SUBNET-MASK>}]}	Specifies the destination IPv4 address. <ul style="list-style-type: none"> <li>■ any - specifies any destination IPv6 address.</li> <li>■ &lt;DST-IP-ADDRESS&gt; - specifies the destination IPv6 host address. <ul style="list-style-type: none"> <li>○ &lt;PREFIX-LENGTH&gt; - specifies the address bits to mask (CIDR subnet mask notation). Range: 1 to 32.</li> <li>○ &lt;SUBNET-MASK&gt; - specifies the address bits to mask (dotted decimal notation).</li> </ul> </li> </ul>
[{eq gt lt} <PORT> range <MIN-PORT><MAX-PORT>]	Specifies the port or port range. Port numbers are in the range of 0 to 65535. <ul style="list-style-type: none"> <li>■ eq &lt;PORT&gt; - specifies the Layer 4 port.</li> <li>■ gt &lt;PORT&gt; - specifies any Layer 4 port greater than the indicated port.</li> <li>■ lt &lt;PORT&gt; - specifies any Layer 4 port less than the indicated port.</li> <li>■ range &lt;MIN-PORT&gt; &lt;MAX-PORT&gt; -</li> </ul>

Parameter	Description
	specifies the Layer 4 port range.
urg, ack, psh, rst, syn, fin, established	These TCP flag matching parameters are not supported.
dscp <DSCP-SPECIFIER>	<p>Specifies the Differentiated Services Code Point (DSCP), either a numeric &lt;DSCP-VALUE&gt; (0 to 63) or one of these keywords:</p> <ul style="list-style-type: none"> <li>■ AF11 - DSCP 10 (Assured Forwarding Class 1, low drop probability)</li> <li>■ AF12 - DSCP 12 (Assured Forwarding Class 1, medium drop probability)</li> <li>■ AF13 - DSCP 14 (Assured Forwarding Class 1, high drop probability)</li> <li>■ AF21 - DSCP 18 (Assured Forwarding Class 2, low drop probability)</li> <li>■ AF22 - DSCP 20 (Assured Forwarding Class 2, medium drop probability)</li> <li>■ AF23 - DSCP 22 (Assured Forwarding Class 2, high drop probability)</li> <li>■ AF31 - DSCP 26 (Assured Forwarding Class 3, low drop probability)</li> <li>■ AF32 - DSCP 28 (Assured Forwarding Class 3, medium drop probability)</li> <li>■ AF33 - DSCP 30 (Assured Forwarding Class 3, high drop probability)</li> <li>■ AF41 - DSCP 34 (Assured Forwarding Class 4, low drop probability)</li> <li>■ AF42 - DSCP 36 (Assured Forwarding Class 4, medium drop probability)</li> <li>■ AF43 - DSCP 38 (Assured Forwarding Class 4, high drop probability)</li> <li>■ CS0 - DSCP 0 (Class Selector 0: Default)</li> <li>■ CS1 - DSCP 8 (Class Selector 1: Scavenger)</li> </ul>

Parameter	Description
	<ul style="list-style-type: none"> <li>■ CS2 - DSCP 16 (Class Selector 2: OAM)</li> <li>■ CS3 - DSCP 24 (Class Selector 3: Signaling)</li> <li>■ CS4 - DSCP 32 (Class Selector 4: Real time)</li> <li>■ CS5 - DSCP 40 (Class Selector 5: Broadcast video)</li> <li>■ CS6 - DSCP 48 (Class Selector 6: Network control)</li> <li>■ CS7 - DSCP 56 (Class Selector 7)</li> <li>■ EF - DSCP 46 (Expedited Forwarding)</li> </ul>
ecn <ECN-VALUE>	Specifies an Explicit Congestion Notification value. Range: 0 to 3.
ip-precedence <IP-PRECEDENCE-VALUE>	Specifies an IP precedence value. Range: 0 to 7.
tos <TOS-VALUE>	Specifies the Type of Service value. Range: 0 to 31.
fragment	Specifies a fragment packet.
vlan <VLAN-ID>	Specifies VLAN tag to match on. 802.1Q VLAN ID.  <b>NOTE:</b> This parameter cannot be used in any class that will be applied to a VLAN.
ttl <TTL-VALUE>	Specifies a time-to-live (hop limit) value. Range: 0 to 255.
count	Keeps the hit counts of the number of packets matching this class entry.
[<SEQUENCE-NUMBER>] comment <TEXT-STRING>	Adds a comment to a class entry. The <code>no</code> form removes only the comment from the class entry.

## Usage

- If you enter an existing <CLASS-NAME> value, the existing class is modified with any new <SEQUENCE-NUMBER> value. This action creates an additional class entry. Any existing <SEQUENCE-NUMBER> value replaces the existing class entry with the same sequence number.
- If no sequence number is specified, a new class entry is appended to the end of the class with a sequence number equal to the highest class entry currently in the list plus 10.
- If the <IP-PROTOCOL-NUM> parameter is used instead of a protocol name, ensure that any needed class entry-definition parameters specific to the selected protocol are also provided.

## Examples

Creating an IPv6 class with two entries:

```
switch(config)# class ipv6 MY_IPV6_CLASS
switch(config-class-ipv6)# 10 match icmpv6 any any
switch(config-class-ipv6)# 20 ignore udp any any
switch(config-class-ipv6)# exit

switch(config)# do show class
Type      Name
Sequence  Comment
          Action                    L3 Protocol
          Source IP Address           Source L4 Port(s)
          Destination IP Address      Destination L4 Port(s)
          Additional Parameters
-----
IPv6      MY_IPV6_CLASS
          10 match                        icmpv6
          any
          any
          20 ignore                    udp
          any
          any
```

Adding a comment to an existing IPv6 class entry:

```
switch(config)# class ipv6 MY_IPV6_CLASS
switch(config-class-ipv6)# 10 match icmpv6 any any
switch(config-class-ipv6)# 20 ignore udp any any
switch(config-class-ipv6)# 20 comment myipv6class
switch(config-class-ipv6)# exit

switch(config)# do show class
Type      Name
Sequence  Comment
          Action                    L3 Protocol
          Source IP Address           Source L4 Port(s)
          Destination IP Address      Destination L4 Port(s)
          Additional Parameters
-----
IPv6      MY_IPV6_CLASS
          10 match                        icmpv6
          any
          any
          20 myipv6class                udp
          ignore
          any
          any
```

Removing a comment from an existing IPv6 class entry:

```
switch(config)# class ipv6 MY_IPV6_CLASS
switch(config-class-ipv6)# no 20 comment
switch(config-class-ipv6)# exit

switch(config)# do show class
Type      Name
Sequence  Comment
          Action                    L3 Protocol
```

	Source IP Address	Source L4 Port(s)
	Destination IP Address	Destination L4 Port(s)
	Additional Parameters	
IPv6	MY_IPV6_CLASS	
10	match	icmpv6
	any	
	any	
20	ignore	udp
	any	
	any	

Replacing an IPv6 class entry in an existing IPv6 class:

```
switch(config)# class ipv6 MY_IPV6_CLASS
switch(config-class-ipv6)# 10 match any any 1020::
switch(config-class-ipv6)# exit

switch(config)# do show class
Type      Name
Sequence Comment
          Action          L3 Protocol
          Source IP Address Source L4 Port(s)
          Destination IP Address Destination L4 Port(s)
          Additional Parameters
-----
IPv6      MY_IPV6_CLASS
10 match          any
   any
   1020::
20 ignore          udp
   any
   any
```

Removing an IPv6 class entry:

```
switch(config)# class ipv6 MY_IPV6_CLASS
switch(config-class-ipv6)# no 10
switch(config-class-ipv6)# exit

switch(config)# do show class
Type      Name
Sequence Comment
          Action          L3 Protocol
          Source IP Address Source L4 Port(s)
          Destination IP Address Destination L4 Port(s)
          Additional Parameters
-----
IPv6      MY_IPV6_CLASS
20 ignore          udp
   any
   any
```

Removing an IPv6 class. Removing a class with entries removes all its entries as well. If a class associated with a policy entry (or multiple policy entries) is removed, the corresponding entries are also removed.




---

The corresponding entries are only removed if the class is unused by all policy entries.

---



```
switch(config)# no class ipv6 MY_IPV6_CLASS

switch(config)# do show class
No Class found.
```

## Command History

Release	Modification
10.07 or earlier	--

## Command Information

Platforms	Command context	Authority
All platforms	config The class ipv6 <CLASS-NAME> command takes you into the config-class-ipv6 command context where you enter the class entries.	Administrators or local user group members with execution rights for this command.

## class mac

```
class mac <CLASS-NAME>
```

```
[<SEQUENCE-NUMBER>]
{match|ignore}
{any|<SRC-MAC-ADDRESS>[/<ETHERNET-MASK>]}}
{any|<DST-MAC-ADDRESS>[/<ETHERNET-MASK>]}}
{any|aarp|appletalk|arp|fcoe|fcoe-init|ip|ipv6|ipx-arpa|ipx-non-arpa|is-is|
  lldp|mpls-multicast|mpls-unicast|q-in-q|rbridge|trill|wake-on-lan|
  <NUMERIC-ETHERTYPE>}
[pcp <PCP-VALUE>] [vlan <VLAN-ID>] [count]

[<SEQUENCE-NUMBER>] comment <TEXT-STRING>
```

## Description

Creates or modifies a MAC traffic class to match specified packets. Class is composed of one or more class entries ordered and prioritized by sequence numbers. With this command, each class can classify traffic based on MAC header information.

The `no` form of the command can be used to delete either a MAC traffic class (use `no` with the class command) or an individual MAC traffic class entry (use `no` with the sequence number).

Parameter	Description
mac	Specifies create or modify a MAC class.
<CLASS-NAME>	Specifies the name of this class.

Parameter	Description
<code>&lt;SEQUENCE-NUMBER&gt;</code>	Specifies a sequence number for the class entry. Optional. Range: 1-4294967295.
<code>{match ignore}</code>	Creates a rule to match or ignore specified packets.
<code>comment</code>	Stores the remaining entered text as a class comment.
<code>{any &lt;SRC-MAC-ADDRESS&gt;[/&lt;ETHERNET-MASK&gt;]}</code>	Specifies the source host MAC address (xxxx.xxxx.xxxx), OUI, or the keyword <code>any</code> . You can optionally include the following: <code>&lt;ETHERNET-MASK&gt;</code> - The address bits to mask (xxxx.xxxx.xxxx).
<code>{any &lt;DST-MAC-ADDRESS&gt;[/&lt;ETHERNET-MASK&gt;]}</code>	Specifies the destination host MAC address (xxxx.xxxx.xxxx), OUI, or the keyword <code>any</code> . You can optionally include the following: <code>&lt;ETHERNET-MASK&gt;</code> - The address bits to mask (xxxx.xxxx.xxxx).
<code>Protocol</code>	Select an ethertype protocol from the following (enter one only): <ul style="list-style-type: none"> <li>■ <code>any</code> - Any ethertype protocol</li> <li>■ <code>&lt;NUMERIC-ETHERTYPE&gt;</code> - Enter an EtherType protocol number. Range: 0x600-0xffff.</li> <li>■ Or enter an EtherType protocol name from the following list: <ul style="list-style-type: none"> <li>○ <code>arp</code></li> <li>○ <code>appletalk</code></li> <li>○ <code>arp</code></li> <li>○ <code>fcoe</code></li> <li>○ <code>fcoe-init</code></li> <li>○ <code>ip</code></li> <li>○ <code>ipv6</code></li> <li>○ <code>ipx-arpa</code></li> <li>○ <code>ipx-non-arpa</code></li> <li>○ <code>is-is</code></li> <li>○ <code>lldp</code></li> <li>○ <code>mpls-multicast</code></li> <li>○ <code>mpls-unicast</code></li> <li>○ <code>q-in-q</code></li> <li>○ <code>rbridge</code></li> <li>○ <code>trill</code></li> <li>○ <code>wake-on-lan</code></li> </ul> </li> </ul>
<code>pcp &lt;PCP-VALUE&gt;</code>	Specifies matching on QoS Priority Code Point. Range: 0-7.

Parameter	Description
vlan <VLAN-ID>	Specifies matching on a VLAN ID. Enter a VLAN ID or the VLAN name, if configured.  <b>NOTE:</b> This parameter cannot be used in any class that will be applied to a VLAN.
count	Keeps the hit counts of the number of packets matching this class entry.

## Examples

Creating a MAC class:

```
switch(config)# class mac MY_MAC_CLASS
switch(config-class-mac)# match any any lldp
switch(config-class-mac)# ignore any any arp
switch(config-class-mac)# exit
switch(config)# do show class
Type      Name
  Sequence Comment
    Action          EtherType
    Source MAC Address
    Destination MAC Address
    Additional Parameters
-----
MAC       MY_MAC_CLASS
  10 match          lldp
    any
    any
  20 ignore        arp
    any
    any
```

Adding a comment to an existing MAC class entry:

```
switch(config)# class mac MY_MAC_CLASS
switch(config-class-mac)# 10 comment MY_CLASS_ENTRY
switch(config-class-mac)# exit
switch(config)# do show class
Type      Name
  Sequence Comment
    Action          EtherType
    Source MAC Address
    Destination MAC Address
    Additional Parameters
-----
MAC       MY_MAC_CLASS
  10 MY_CLASS_ENTRY
    match          lldp
    any
    any
  20 ignore        arp
    any
    any
```

Removing a comment from an existing MAC class entry:

```

switch(config)# class mac MY_MAC_CLASS
switch(config-class-mac)# no 10 comment MY_CLASS_ENTRY
switch(config-class-mac)# exit
switch(config)# do show class
Type      Name
  Sequence Comment
           Action          EtherType
           Source MAC Address
           Destination MAC Address
           Additional Parameters
-----
MAC       MY_MAC_CLASS
  10 match          lldp
     any
     any
  20 ignore          arp
     any
     any

```

Replacing a MAC class entry in an existing MAC class:

```

switch(config)# class mac MY_MAC_CLASS
switch(config-class-mac)# 10 match any any any
switch(config-class-mac)# exit
switch(config)# do show class
Type      Name
  Sequence Comment
           Action          EtherType
           Source MAC Address
           Destination MAC Address
           Additional Parameters
-----
MAC       MY_MAC_CLASS
  10 match          any
     any
     any
  20 ignore          arp
     any
     any

```

Removing a MAC class entry:

```

switch(config)# class mac MY_MAC_CLASS
switch(config-class-mac)# no 1
switch(config-class-mac)# exit
switch(config)# do show class
Type      Name
  Sequence Comment
           Action          EtherType
           Source MAC Address
           Destination MAC Address
           Additional Parameters
-----
MAC       MY_MAC_CLASS
  2 ignore          arp
     any
     any

```

Removing a MAC class. Removing a class with entries removes all its entries as well. If a class associated with a policy entry (or multiple policy entries) is removed, the corresponding entries are also removed.



The corresponding entries are only removed if the class is unused by all policy entries.

```
switch(config)# no class mac MY_MAC_CLASS
switch(config)# do show class
No Class found.
```

## Command History

Release	Modification
10.07 or earlier	--

## Command Information

Platforms	Command context	Authority
8320 8325	config The <code>class mac &lt;CLASS-NAME&gt;</code> command takes you into the <code>config-class-mac</code> context where you enter the class entries.	Administrators or local user group members with execution rights for this command.

## class resequence

```
class {ip|ipv6|mac} <CLASS-NAME> resequence <STARTING-SEQUENCE-NUMBER> <INCREMENT>
```

### Description

Resequencing numbering in an IPv4, IPv6, or MAC class.

Parameter	Description
<code>{ip ipv6 mac} &lt;CLASS-NAME&gt;</code>	Specifies the class where you want to resequence class entries.
<code>&lt;STARTING-SEQUENCE-NUMBER&gt;</code>	Specifies the sequence number to start resequencing from.
<code>&lt;INCREMENT&gt;</code>	Specifies how much to increment the sequence numbers by.

### Examples

Resequencing an IPv4 class:

```
switch(config)# class ip MY_IP_CLASS resequence 1 10
switch(config)# do show class
Type      Name
Sequence  Comment
          Action          L3 Protocol
          Source IP Address   Source L4 Port(s)
          Destination IP Address Destination L4 Port(s)
          Additional Parameters
```

```

-----
IPv4      MY_IP_CLASS
  1 match                                igmp
    any
    any
 11 ignore                                udp
    any
    any
 21 match                                tcp
    192.168.0.1
    192.168.0.2

```

Resequencing an IPv6 class:

```

switch(config)# class ipv6 MY_IPV6_CLASS resequence 1 1
switch(config-class-ipv6)# exit
switch(config)# do show class
Type      Name
  Sequence Comment
    Action          L3 Protocol
    Source IP Address Source L4 Port(s)
    Destination IP Address Destination L4 Port(s)
    Additional Parameters
-----
IPv6      MY_IPV6_CLASS
  1 match                                any
    any
    1020::
  2 ignore                                udp
    any
    any

```

Resequencing a MAC class:

```

switch(config)# class mac MY_MAC_CLASS resequence 1 1
switch(config)# do show class
Type      Name
  Sequence Comment
    Action          EtherType
    Source MAC Address
    Destination MAC Address
    Additional Parameters
-----
MAC       MY_MAC_CLASS
  1 match                                any
    any
    any
  2 ignore                                arp
    any
    any

```

## Command History

Release	Modification
10.07 or earlier	--

## Command Information

Platforms	Command context	Authority
All platforms	config	Administrators or local user group members with execution rights for this command.

## class reset

```
class { all | ip <CLASS-NAME> | ipv6 <CLASS-NAME> | mac <CLASS-NAME> } reset
```

### Description

Changes the user-specified class configuration to match the active class configuration. Use this command when there is a discrepancy between what the user configured and what is active and accepted by the system.

Parameter	Description
{ all   ip <CLASS-NAME>   ipv6 <CLASS-NAME>   mac <CLASS-NAME> }	Specifies either all classes be reset or specifies the type (ip for IPv4, ipv6 for IPv6 or mac for MAC ACL) and name of the class to be reset.

### Examples

Resetting the user-specified configuration to the active configuration:

```
switch(config)# class all reset
```

### Command History

Release	Modification
10.07 or earlier	--

### Command Information

Platforms	Command context	Authority
All platforms	config	Administrators or local user group members with execution rights for this command.

## clear policy hitcounts

```
clear policy hitcounts { all | [<POLICY-NAME>] [[interface <IF-NAME> [in|routed-in]] | [vlan <VLAN-ID> [in]]] | global }
```

### Description

Clears the policy hit count statistics.

Parameter	Description
all	Selects all policies.
<POLICY-NAME>	Specifies the policy name.
interface <IF-NAME>	Specifies the interface name.
vlan <VLAN-ID>	Specifies the VLAN.
in	Specifies the inbound (ingress) traffic direction.
routed-in	Selects the routed in traffic direction. Not applicable to a policy applied to a VLAN.
global	Selects the globally applied policy.

## Examples

Clearing policy hit counts and then showing the policy hit counts (statistics):

```
switch# clear policy hitcounts my_policy int 1/1/1 in
switch# show policy hitcounts my_policy
Statistics for Policy my_policy:
Interface 1/1/1* (in):
    Hit Count Configuration
10 class ipv6 my_class1 action dscp af21 action drop
    0 10 match any any any count
* policy statistics are shared among each context type (interface, VLAN).
  For routed ingress, they are only shared within the same VRF.
  Use 'policy NAME copy' to create a new policy for separate statistics.
```

Clearing the globally applied policy hit counts and then showing the global policy hit counts (statistics):

```
switch# clear policy hitcounts global
switch# show policy hitcounts global
Statistics for Policy global1:
Global Policy:
    Hit Count Configuration
10 class ipv6 my_class1 action mirror
    0 10 match any any any count
* policy statistics are shared among each context type (interface, VLAN).
  For routed ingress, they are only shared within the same VRF.
  Use 'policy NAME copy' to create a new policy for separate statistics.
```

Clearing hit counts for policy MY\_IPv6\_Policy applied to VLAN 10 (ingress):

```
switch# clear policy hitcounts My_IPv6_Policy vlan 10 in
```

Clearing hit counts for all policies:

```
switch# clear policy hitcounts all
```

## Command History



Release	Modification
10.07 or earlier	--

## Command Information

Platforms	Command context	Authority
All platforms	Operator (>) or Manager (#)	Operators or Administrators or local user group members with execution rights for this command. Operators can execute this command from the operator context (>) only.

## policy

policy <POLICY-NAME>

```
[<SEQUENCE-NUMBER>]
class {ip|ipv6|mac} <CLASS-NAME>
  action {<REMARK-ACTIONS> | <POLICE-ACTIONS> | <OTHER-ACTIONS>}
  [{<REMARK-ACTIONS> | <POLICE-ACTIONS> | <OTHER-ACTIONS>}]

[<SEQUENCE-NUMBER>]
comment ...
```

## Description

Creates or modifies classifier policy and policy entries. A policy is made up of one or more policy entries ordered and prioritized by sequence numbers. Each entry has an IPv4/IPv6/MAC class and zero or more policy actions associated with it.

A policy must be applied using the `apply` command.

The `no` form of the command can be used to delete either a policy (use `no` with the policy command) or an individual policy entry (use `no` with the sequence number).

Parameter	Description
<POLICY-NAME>	Specifies the name of the policy.
<SEQUENCE-NUMBER>	Specifies a sequence number for the policy entry. Optional. Range: 1 to 4294967295.
comment	Stores the remaining entered text as a policy entry comment.
class {ip ipv6 mac} <CLASS-NAME>	Specifies a type of class, <code>ip</code> for IPv4, <code>ipv6</code> for IPv6 and <code>mac</code> for a MAC policy. And specifies a class name.
<REMARK-ACTIONS>	Remark actions can be any of the following options: { <code>pcp &lt;PRIORITY&gt;</code>   <code>ip-precedence &lt;IP-PRECEDENCE_VALUE&gt;</code>   <code>dscp &lt;DSCP-VALUE&gt;</code>   <code>local-priority &lt;LOCAL-PRIORITY-VALUE&gt;</code> } where:
pcp <PCP-VALUE>	Specifies the Priority Code Point (PCP) value. Range: 0 to 7.
ip-precedence <IP-PRECEDENCE-VALUE>	Specifies the numeric IP precedence value. Range: 0 to 7.

Parameter	Description
<code>dscp &lt;DSCP-VALUE&gt;</code>	<p>Specifies a Differentiated Services Code Point (DSCP) value. Enter either a numeric value (0 to 63) or a keyword as follows:</p> <ul style="list-style-type: none"> <li>■ AF11 - DSCP 10 (Assured Forwarding Class 1, low drop probability)</li> <li>■ AF12 - DSCP 12 (Assured Forwarding Class 1, medium drop probability)</li> <li>■ AF13 - DSCP 14 (Assured Forwarding Class 1, high drop probability)</li> <li>■ AF21 - DSCP 18 (Assured Forwarding Class 2, low drop probability)</li> <li>■ AF22 - DSCP 20 (Assured Forwarding Class 2, medium drop probability)</li> <li>■ AF23 - DSCP 22 (Assured Forwarding Class 2, high drop probability)</li> <li>■ AF31 - DSCP 26 (Assured Forwarding Class 3, low drop probability)</li> <li>■ AF32 - DSCP 28 (Assured Forwarding Class 3, medium drop probability)</li> <li>■ AF33 - DSCP 30 (Assured Forwarding Class 3, high drop probability)</li> <li>■ AF41 - DSCP 34 (Assured Forwarding Class 4, low drop probability)</li> <li>■ AF42 - DSCP 36 (Assured Forwarding Class 4, medium drop probability)</li> <li>■ AF43 - DSCP 38 (Assured Forwarding Class 4, high drop probability)</li> <li>■ CS0 - DSCP 0 (Class Selector 0: Default)</li> <li>■ CS1 - DSCP 8 (Class Selector 1: Scavenger)</li> <li>■ CS2 - DSCP 16 (Class Selector 2: OAM)</li> <li>■ CS3 - DSCP 24 (Class Selector 3: Signaling)</li> <li>■ CS4 - DSCP 32 (Class Selector 4: Real time)</li> <li>■ CS5 - DSCP 40 (Class Selector 5: Broadcast video)</li> <li>■ CS6 - DSCP 48 (Class Selector 6: Network control)</li> <li>■ CS7 - DSCP 56 (Class Selector 7)</li> <li>■ EF - DSCP 46 (Expedited Forwarding)</li> </ul>
<code>local-priority &lt;LOCAL-PRIORITY-VALUE&gt;</code>	<p>Specifies a local priority value. Range: 0 to 7.</p>
<code>&lt;POLICE-ACTIONS&gt;</code>	<p>Police actions can be the following {cir &lt;RATE-BPS&gt;cbs &lt;BYTES&gt; exceed} where:</p>
<code>cir kbps &lt;RATE-KBPS&gt;</code>	<p>Specifies a Committed Information Rate value in Kilobits per second. Range: 1 to 4294967295.</p>
<code>cbs &lt;BYTES&gt;</code>	<p>Specifies a Committed Burst Size value in bytes. Range: 1 to 4294967295.</p>

Parameter	Description
exceed	Specifies action to take on packets that exceed the rate limit.
<OTHER-ACTIONS>	Other actions can be the following:
drop	Specifies drop traffic.

## Usage

- An applied policy will process a packet sequentially against policy entries in the list until the last policy entry in the list has been evaluated or the packet matches an entry.
- Entering an existing <POLICY-NAME> value will cause the existing policy to be modified, with any new <SEQUENCE-NUMBER> value creating an additional policy entry, and any existing <SEQUENCE-NUMBER> value replacing the existing policy entry with the same sequence number.
- If no sequence number is specified, a new policy entry will be appended to the end of the entry list with a sequence number equal to the highest policy entry currently in the list plus 10.

## Examples

Creating a policy with several entries:

```
switch(config)# policy MY_POLICY
switch(config-policy)# 10 class ipv6 MY_CLASS1 action dscp af21 action drop
switch(config-policy)# 20 class ip MY_CLASS3 action mirror 1
switch(config-policy)# exit
switch(config)# do show policy
      Name
Sequence Comment
      Class Type
              action
-----
      MY_POLICY
10      MY_CLASS1 ipv6
              drop
              dscp AF21

20      MY_CLASS3 ipv4
              mirror 1
```

Adding a comment to an existing policy entry:

```
switch(config)# policy MY_POLICY
switch(config-policy)# 20 comment MY_TEST_POLICY
switch(config-policy)# exit
switch(config)# do show policy
      Name
Sequence Comment
      Class Type
              action
-----
      MY_POLICY
10      MY_CLASS1 ipv6
```

```

        drop
        dscp AF21

20 MY_TEST_POLICY
    MY_CLASS3 ipv4
        mirror 1

```

Removing a comment from an existing policy entry:

```

switch(config)# policy MY_POLICY
switch(config-policy)# no 20 comment
switch(config-policy)# exit
switch(config)# do show policy
    Name
  Sequence Comment
    Class Type
              action
-----
    MY_POLICY
  10
    MY_CLASS1 ipv6
              drop
              dscp AF21

  20
    MY_CLASS3 ipv4
              mirror 1

```

Adding/Replacing a policy entry in an existing policy:

```

switch(config)# policy MY_POLICY
switch(config-policy)# 10 class ip MY_CLASS3 action drop action dscp af21
switch(config-policy)# exit
switch(config)# do show policy
    Name
  Sequence Comment
    Class Type
              action
-----
    MY_POLICY
  10
    MY_CLASS3 ipv4
              drop
              dscp AF21

  20
    MY_CLASS3 ipv4
              mirror 1

```

Removing a policy entry:

```

switch(config)# policy MY_POLICY
switch(config-policy)# no 10
switch(config-policy)# exit
switch(config)# do show policy
    Name
  Sequence Comment

```

```

Class Type
    action
-----
MY_POLICY
20
MY_CLASS3 ipv4
    mirror 1

```

Removing a policy:

```

switch(config)# no policy MY_POLICY
switch(config)# do show policy
Name
Sequence Comment
Class Type
    action
-----
MY_POLICY2
2
MY_CLASS3 ipv4
    mirror 1

```

**Command History**

Release	Modification
10.07 or earlier	--

**Command Information**

Platforms	Command context	Authority
All platforms	config The <code>policy</code> command takes you into the <code>config-policy</code> context where you enter the policy entries.	Administrators or local user group members with execution rights for this command.

**policy copy**

```
policy <POLICY-NAME> copy <DESTINATION-POLICY>
```

**Description**

Copies a policy to a new destination policy or overwrites an existing policy. Copying a policy copies all its entries as well.

Parameter	Description
<POLICY-NAME>	Specifies the policy to be copied.
<DESTINATION-POLICY>	Specifies the name of the destination policy.

## Examples

Copying a policy:

```
switch(config)# policy MY_POLICY copy MY_POLICY2
switch(config)# do show policy
      Name
Sequence Comment
      Class Type
      action
-----
      MY_POLICY
      2
      my_class3 ipv4
      mirror 1
-----
      MY_POLICY2
      2
      my_class3 ipv4
      mirror 1
```

## Command History

Release	Modification
10.07 or earlier	--

## Command Information

Platforms	Command context	Authority
All platforms	config	Administrators or local user group members with execution rights for this command.

## policy resequence

```
policy <POLICY-NAME> resequence <STARTING-SEQ-NUM> <INCREMENT>
```

### Description

Resequences numbering in a policy.

Parameter	Description
<POLICY-NAME>	Specifies the policy where you want to resequence policy entries.
<STARTING-SEQ-NUM>	Specifies the sequence number to start resequencing from.
<INCREMENT>	Specifies how much to increment the sequence numbers by.

## Examples

Resequencing a policy:

```

switch(config)# policy MY_POLICY resequence 1 1
switch(config)# do show policy
      Name
Sequence Comment
      Class Type
              action
-----
      MY_POLICY
1
  MY_CLASS3 ipv4
              drop
              dscp AF21

2
  MY_CLASS3 ipv4
              mirror 1

```

## Command History

Release	Modification
10.07 or earlier	--

## Command Information

Platforms	Command context	Authority
All platforms	config	Administrators or local user group members with execution rights for this command.

## policy reset

policy <POLICY-NAME> reset

### Description

Changes the user-specified policy configuration to match the active policy configuration. Use this command when a discrepancy exists between what the user configured and what is active and accepted by the system.

Parameter	Description
<POLICY-NAME>	Specifies the policy to be reset.

### Examples

Resetting a policy:

```
switch(config)# policy MY_POLICY reset
```

## Command History

Release	Modification
10.07 or earlier	--

## Command Information

Platforms	Command context	Authority
All platforms	config	Administrators or local user group members with execution rights for this command.

## show class

```
show class [ip | ipv6 | mac] [<CLASS-NAME>] [commands] [configuration] [vsx-peer]
```

### Description

Shows class configuration information.

All parameters are optional.

Parameter	Description
[ip   ipv6   mac]	Selects the class type for the display: <code>ip</code> for IPv4, <code>ipv6</code> for IPv6, or <code>mac</code> for MAC classes.
<CLASS-NAME>	Specifies the class name.
commands	Specifies whether to display output as the CLI commands showing the configured class entries.
configuration	Specifies whether to display classes that have been configured by the user, even if they are not active due to issues with the command parameters or hardware issues. This parameter is useful during a mismatch between the entered configuration and the previous successfully programmed (active) classes.
vsx-peer	Shows the output from the VSX peer switch. If the switches do not have the VSX configuration or the ISL is down, the output from the VSX peer switch is not displayed. This parameter is available on switches that support VSX.

### Examples

Showing all class configuration:

```
switch# show class
Type Name
  Sequence Comment
    action          L3 Protocol
    Source IP address Source L4 Port(s)
    Destination IP address Destination L4 Port(s)
    Additional Parameters
-----
ipv4 MY_IPV4_CLASS
  10 my first class entry comment
    match          icmp
    192.168.0.1/255.255.255.0
    192.168.1.1/255.255.255.0
    VLAN: 1
  20 my second class entry comment
    ignore         tcp
    10.100.0.10/255.255.255.0 < 3000
```



```
10.100.1.10/255.255.255.0 > 2000
VLAN: 1
-----
```

Showing class configuration for the IPv4 class MY\_IPV4\_CLASS as CLI commands:

```
switch# show class ip MY_IPV4_CLASS commands
class ip "MY_IPV4_CLASS"
  10 match icmp 192.168.0.1/255.255.255.0 192.168.1.1/255.255.255.0 vlan 1
  10 comment my first class entry comment
  20 ignore tcp 10.100.0.10/255.255.255.0 lt 3000 10.100.1.10/255.255.255.0 gt
    2000 vlan 1
  20 comment my second class entry comment
```

## Command History

Release	Modification
10.07 or earlier	--

## Command Information

Platforms	Command context	Authority
All platforms	Operator (>) or Manager (#)	Operators or Administrators or local user group members with execution rights for this command. Operators can execute this command from the operator context (>) only.

## show policy

Syntax that shows information for all policies:

```
show policy [commands] [configuration] [vsx-peer]
```

Syntax that filters by policies applied to an interface or VLAN:

```
show policy [interface <IF-NAME> [in | routed-in] | vlan <VLAN-ID> [in]]
           [commands] [configuration] [vsx-peer]
```

Syntax that filters by the named policy:

```
show policy <POLICY-NAME> [commands] [configuration] [vsx-peer]
```

Syntax that filters by the globally applied policy:

```
show policy global [commands] [configuration] [vsx-peer]
```

Syntax that shows statistical information in the form of hit counts:

```
show policy hitcounts <POLICY-NAME> [interface <IF-NAME> [in | routed-in] |
                                     vlan <VLAN-ID> [in]] [vsx-peer]
```

Syntax that shows statistical information in the form of hit counts for the globally applied policy:

```
show policy hitcounts global [vsx-peer]
```

## Description

Shows information about your defined policies and where they have been applied. When `show policy` is entered without parameters, information for all policies is shown. The parameters filter the list of policies for which information is shown.

Available filtering includes:

- The content of a specific policy.
- All policies applied to a specific interface.
- All policies applied to a specific VLAN.
- The globally applied policy.

To display policy statistics, use the `show policy hitcounts` form of this command.



When a policy is applied to a physical interface or lag using command `apply policy`, with the `per-interface` parameter included, unique instances of the policy are applied to each physical interface port or LAG. The unique instance of a policy has a parent-child relationship with the policy from which it was created. The `show policy` command shows information about the parent policy not the unique instances.



If a policy contains any class entries with the `count` keyword and policy entries with the `cir` action, and the policy is applied to multiple physical or virtual interfaces in the same direction, except for the routed ingress direction, the statistics will be aggregated. In the routed ingress direction, the statistics will be aggregated in multiple physical or virtual interfaces in the same VRF. If separate statistics for different physical or virtual interfaces are required, then another policy should be created. Alternatively, in the case of physical interfaces or LAGs, a policy applied with `per-interface set` can be used.

Parameter	Description
<code>interface &lt;IF-NAME&gt;</code>	Specifies the interface name.
<code>vlan &lt;VLAN-ID&gt;</code>	Specifies the VLAN.
<code>in</code>	Selects the inbound (ingress) traffic direction.
<code>routed-in</code>	Selects the routed in traffic direction. Not applicable to a policy applied to a VLAN.
<code>&lt;POLICY-NAME&gt;</code>	Specifies the policy name.
<code>commands</code>	Causes the policy definition to be shown as the commands and parameters used to create it rather than in tabular form.
<code>configuration</code>	Causes the user-configured policies be shown as entered, even if the policies are not active due to policy-definition command issues or hardware issues. This parameter is useful if there is a mismatch between the entered configuration and the previous successfully programmed (active) policies configuration.
<code>global</code>	Selects the globally applied policy.
<code>hitcounts</code>	Selects the policy hit counts (statistics). The switch displays the number of accepted bytes/conformed bytes (green and yellow bytes) as 0 kbps.
<code>vsx-peer</code>	Shows the output from the VSX peer switch. If the switches do not have the VSX configuration or the ISL is down, the output from the VSX peer switch is not displayed. This parameter is available on switches that support VSX.

## Examples

Showing information for all policies:

```

switch# show policy
      Name
Sequence Comment
      Class Type
              action
-----
      my_policy
10 QOS class
      class1 ipv4
              dscp af21
              drop
20 PBR policy.
      class2 ipv4
              pbr mypbr
-----

```

Showing a policy as commands:

```

switch# show policy commands
policy my_policy
      10 class ip class1 action dscp af21 action drop
      20 class ip class2 action pbr mypbr

```

Showing the globally applied policy:

```

switch# show policy global commands
policy global1
      10 class ip my_class1 action drop
apply policy my_policy in

```

Showing policy hit counts (statistics) for the globally applied policy: :

```

switch# show policy hitcounts global
Statistics for Policy My_Policy:
global (in):
      Matched Packets Configuration
10 class ip My_ip_Class
      0 10 match tcp any any ack count
      - 20 match udp any lt 8 any
      0 30 match icmp any 10.1.1.10 count
20 class ipv6 My_ipv6_Class action cir kbps 1000000 cbs 1000000 exceed drop
      0 10 match tcp any any count [ 0 kbps conform ]
      0 20 match icmpv6 1000::10 any count [ 0 kbps conform ]

```

Showing policy hit counts (statistics) for a policy applied everywhere (with 1/1/1 and 1/1/5 being applied per interface):

```

switch# show policy hitcounts My_Policy
Statistics for Policy My_Policy:

Interface 1/1/1,lag1 (in):
      Matched Packets Configuration
10 class ip My_ip_Class
      0 10 match tcp any any ack count
      - 20 match udp any lt 8 any

```

```

    0 30 match icmp any 10.1.1.10 count
20 class ipv6 My_ipv6_Class action cir kbps 1000000 cbs 1000000 exceed drop
    - 10 match tcp any any ack
    0 20 match icmpv6 1000::10 any count [ 0 kbps conform ]

Interface 1/1/4 (in):
    Matched Packets Configuration
10 class ip My_ip_Class
    0 10 match tcp any any ack count
    - 20 match udp any lt 8 any
    0 30 match icmp any 10.1.1.10 count
20 class ipv6 My_ipv6_Class action cir kbps 1000000 cbs 1000000 exceed drop
    0 10 match tcp any any count [ 0 kbps conform ]
    0 20 match icmpv6 1000::10 any count [ 0 kbps conform ]

Interface 1/1/5 (in):
    Matched Packets Configuration
10 class ip My_ip_Class
    0 10 match tcp any any ack count
    - 20 match udp any lt 8 any
    0 30 match icmp any 10.1.1.10 count
20 class ipv6 My_ipv6_Class action cir kbps 1000000 cbs 1000000 exceed drop
    0 10 match tcp any any count [ 0 kbps conform ]
    0 20 match icmpv6 1000::10 any count [ 0 kbps conform ]

interface 1/1/2.10,1/1/3.10 (in):
    Matched Packets Configuration
10 class ip My_ip_Class
    0 10 match tcp any any ack count
    - 20 match udp any lt 8 any
    0 30 match icmp any 10.1.1.10 count
20 class ipv6 My_ipv6_Class action cir kbps 1000000 cbs 1000000 exceed drop
    - 10 match tcp any any ack
    0 20 match icmpv6 1000::10 any count [ 0 kbps conform ]
...

```

Showing policy hit counts (statistics) for a policy applied on physical interfaces and LAGs:

```

switch# show policy hitcounts My_Policy interface 1/1/1
Statistics for Policy My_Policy:

Interface 1/1/1,lag1 (in):
    Matched Packets Configuration
10 class ip My_ip_Class
    0 10 match tcp any any ack count
    - 20 match udp any lt 8 any
    0 30 match icmp any 10.1.1.10 count
20 class ipv6 My_ipv6_Class action cir kbps 1000000 cbs 1000000 exceed drop
    0 10 match tcp any any count [ 0 kbps conform ]
    0 20 match icmpv6 1000::10 any count [ 0 kbps conform ]

```

Showing policy hit counts (statistics) for a policy applied on VLANs:

```

switch# show policy hitcounts My_Policy vlan 30
Statistics for Policy My_Policy:

vlan 30 (in):
    Matched Packets Configuration

```

```

10 class ip My_ip_Class
    0 10 match tcp any any ack count
    - 20 match udp any lt 8 any
    0 30 match icmp any 10.1.1.10 count
20 class ipv6 My_ipv6_Class action cir kbps 1000000 cbs 1000000 exceed drop
    0 10 match tcp any any count [ 0 kbps conform ]
    0 20 match icmpv6 1000::10 any count [ 0 kbps conform ]

```

Showing policy hit counts (statistics) for a policy applied on interface VLANs:

```

switch# show policy hitcounts My_Policy interface vlan10
Statistics for Policy My_Policy:

VRF red
interface vlan 10 (routed-in):
    Matched Packets Configuration
10 class ip My_ip_Class
    0 10 match tcp any any ack count
    - 20 match udp any lt 8 any
    0 30 match icmp any 10.1.1.10 count
20 class ipv6 My_ipv6_Class action cir kbps 1000000 cbs 1000000 exceed drop
    0 10 match tcp any any count [ 0 kbps conform ]
    0 20 match icmpv6 1000::10 any count [ 0 kbps conform ]

```

Showing policy hit counts (statistics) for a policy applied on interface VLANs for a specific VRF:

```

switch# show policy hitcounts My_Policy vrf red routed-in
Statistics for Policy My_Policy:

VRF red
interface vlan 10 (routed-in):
    Matched Packets Configuration
10 class ip My_ip_Class
    0 10 match tcp any any ack count
    - 20 match udp any lt 8 any
    0 30 match icmp any 10.1.1.10 count
20 class ipv6 My_ipv6_Class action cir kbps 1000000 cbs 1000000 exceed drop
    0 10 match tcp any any count [ 0 kbps conform ]
    0 20 match icmpv6 1000::10 any count [ 0 kbps conform ]

```

## Command History

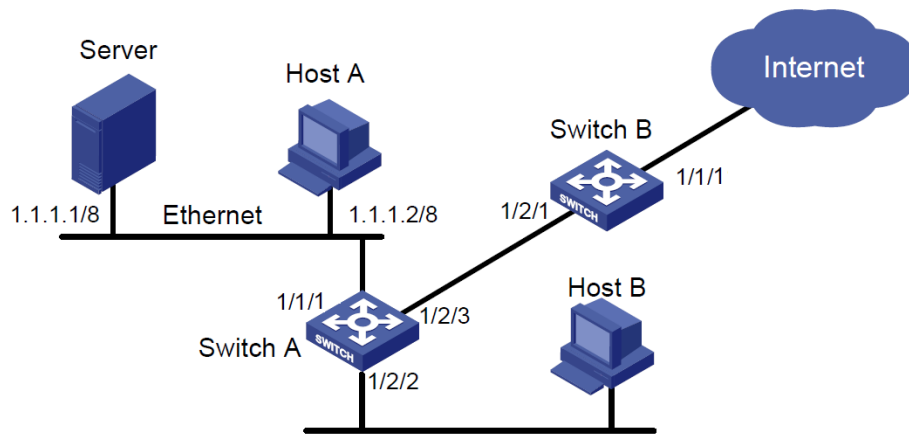
Release	Modification
10.08	Added [per-interface] information. Updated examples.
10.07 or earlier	--

## Command Information

Platforms	Command context	Authority
All platforms	Operator (>) or Manager (#)	Operators or Administrators or local user group members with execution rights for this command. Operators can execute this command from the operator context (>) only.

This example configures traffic policing on:

- A 10-Gbit Ethernet of Switch A meeting the following requirements:
  - Police the rate of packets from the server to 102,400 kbps. Traffic 102,400 kbps or less is forwarded. The traffic more than 102,400 kbps is dropped.
  - Police the rate of packets from Host A to 25,600 kbps. Traffic 25,600 kbps or less is forwarded. The traffic more than 25,600 kbps is dropped.
- A 10-Gbit Ethernet 1/2/1 of Switch B limiting the incoming traffic rate of HTTP packets on 10-Gbit Ethernet 1/1/1 to the data rate of 204,800 kbps and dropping excess packets.



## Configuring the classifier policies example

These steps are part of the classifier policies configuration example.

### Procedure

1. Configure Switch A.

Create traffic classes named SERVER\_TRAFFIC and HOST\_A\_TRAFFIC for matching the packets from the server and Host A:

```
switch# configure
switch(config)# class ip SERVER_TRAFFIC
switch(config-class-ip)# match any 1.1.1.1 any
switch(config-class-ip)# exit
switch(config)# class ip HOST_A_TRAFFIC
switch(config-class-ip)# match any 1.1.1.2 any
switch(config-class-ip)# exit
```

2. Create a classifier policy named RATE\_LIMIT\_POLICY:

```
switch(config)# policy RATE_LIMIT_POLICY
```

3. Configure the policy RATE\_LIMIT\_POLICY, so that 102,400 kbps of traffic, matching the class SERVER\_TRAFFIC, is forwarded and the excess is dropped:

```
switch(config-policy)# class ip SERVER_TRAFFIC action cir kbps 102400 exceed drop
```

4. Configure the policy RATE\_LIMIT\_POLICY so that 25,600 kbps of traffic, matching the class HOST\_A\_TRAFFIC, is forwarded and the excess is dropped:

```
switch(config-policy)# class ip HOST_A_TRAFFIC action cir kbps 25600 exceed drop  
switch(config-policy)# exit
```

5. Apply RATE\_LIMIT\_POLICY to interface 1/1/1 for the inbound traffic:

```
switch(config)# int 1/1/1  
switch(config-if)# apply policy RATE_LIMIT_POLICY in  
switch(config-if)# exit
```

6. To view the configuration with the RATE\_LIMIT\_POLICY applied:

```
switch# show running-config  
Current configuration:  
!  
...  
class ip SERVER_TRAFFIC  
  10 match any 1.1.1.1 any  
class ip HOST_A_TRAFFIC  
  10 match any 1.1.1.2 any  
policy RATE_LIMIT_POLICY  
  10 class ip SERVER_TRAFFIC action cir kbps 102400 exceed drop  
  20 class ip HOST_A_TRAFFIC action cir kbps 25600 exceed drop  
interface 1/1/1  
  apply policy RATE_LIMIT_POLICY in
```

7. Configure Switch B.

Create a traffic class named HTTP\_TRAFFIC and configure it to match traffic to port 80:

```
switch(config)# class ip HTTP_TRAFFIC  
switch(config-class-ip)# match tcp any any eq 80  
switch(config-class-ip)# exit
```

8. Create a classifier policy named RATE\_LIMIT\_HTTP:

```
switch(config)# policy RATE_LIMIT_HTTP
```

9. Configure the policy RATE\_LIMIT\_HTTP so that 204,800 kbps of traffic, matching the class HTTP\_TRAFFIC, is forwarded and the excess is dropped:

```
switch(config-policy)# class ip HTTP_TRAFFIC action cir kbps 204800 exceed drop
switch(config-policy)# exit
```

10. Apply RATE\_LIMIT\_HTTP to interface 1/1/1 for inbound traffic:

```
switch(config)# int 1/1/1
switch(config-if)# apply policy RATE_LIMIT_HTTP in
switch(config-if)# exit
```

11. Show the running configuration with RATE\_LIMIT\_HTTP applied:

```
switch# show running-config
Current configuration:
!
...
class ip HTTP_TRAFFIC
  10 match tcp any any eq 80
policy RATE_LIMIT_HTTP
  10 class ip HTTP_TRAFFIC action cir kbps 204800 exceed drop
interface 1/1/1
  apply policy RATE_LIMIT_HTTP in
```

```
switch# show running-config
Current configuration:
!
...
class ip HTTP_TRAFFIC
  10 match tcp any any eq 80
policy RATE_LIMIT_HTTP
  10 class ip HTTP_TRAFFIC action cir kbps 204800 exceed drop
interface 1/1/1
  apply policy RATE_LIMIT_HTTP in
```



Switches have finite (TCAM and other) hardware resources used in the application of ACLs and Classifier policies to packets being processed in switch hardware. ADC (analytics data collection) also consumes TCAM lookups. Take the considerations described in this chapter into account when deciding what ACL and classifier policy-related features to use at the same time.

## TCAM lookups

TCAM lookups are a finite hardware resource used in the application of ACLs and policies to packets being processed in switch hardware. ADC (analytics data collection) also consumes TCAM lookups. There are a limited number of ACL and policy features that can be enabled at the same time. TCAM resources and lookups can be shown and monitored using command `show resources`.

There are 10 TCAM lookups available to use on the 8320 switch and 9 TCAM lookups available on the 8325 switches. Each of these features uses at least one TCAM lookup when enabled. At most (eight on the 8320 switch, 3 on the 8325 switches) classifier features can be configured at the same time.

### 8320:

```
Ingress Port IPv4 ACL
Ingress Port IPv6 ACL
Ingress Port MAC ACL
Ingress VLAN IPv4 ACL
Ingress VLAN IPv6 ACL
Ingress VLAN MAC ACL
Ingress Routed VLAN IPv4 ACL
Ingress Routed VLAN IPv6 ACL
Ingress Port Policy with IPv4 and/or MAC classes
Ingress Port Policy with IPv6 classes
Ingress VLAN Policy with IPv4 and/or MAC classes
Ingress VLAN Policy with IPv6 classes
Ingress Global Policy with IPv4 and/or MAC classes
Ingress Global Policy with IPv6 classes
Ingress Routed Port Policy with IPv4 classes
Ingress Routed Port Policy with IPv6 classes
Ingress Routed VLAN Policy with IPv4 classes
Ingress Routed VLAN Policy with IPv6 classes
Ingress IPv4 Analytics Data Collection (ADC)
Ingress IPv6 Analytics Data Collection (ADC)
```

### 8325:

```
Ingress Port IPv4 and/or IPv6 ACL
Ingress Port MAC ACL
Ingress VLAN IPv4 and/or IPv6 ACL
Ingress VLAN MAC ACL
Ingress Routed VLAN IPv4 and/or IPv6 ACL
Ingress Port Policy with IPv4 and/or MAC classes
Ingress Port Policy with IPv6 classes
Ingress VLAN Policy with IPv4 and/or MAC classes
```

```
Ingress VLAN Policy with IPv6 classes
Ingress Global Policy with IPv4 and/or MAC classes
Ingress Global Policy with IPv6 classes
Ingress Routed Port Policy with IPv4 classes
Ingress Routed Port Policy with IPv6 classes
Ingress Routed VLAN Policy with IPv4 classes
Ingress Routed VLAN Policy with IPv6 classes
Ingress IPv4 and/or IPv6 Analytics Data Collection (ADC)
```

**8320, 8325:** There are two lookups available on Egress for these features. Applying both IPv4 and IPv6 ACLs on Routed-Egress at the same time is not permitted.

Egress features that use one lookup:

```
Egress VLAN IPv4 ACL
Egress Routed VLAN IPv4 ACL
```

Egress features that use two lookups:

```
Egress VLAN IPv4 ACL
Egress VLAN IPv6 ACL
Egress Routed VLAN IPv6 ACL
```

**8325 TCAM lookup sharing:** TCAM lookups for the following features are shared between corresponding IPv4 and IPv6 features. For example, if three IPv4 features are used with three equivalent IPv6 features, only three TCAM lookups are consumed instead of six. This is assuming the total number of IPv4 and IPv6 entries in each feature are less than 768.

```
Ingress Port IPv4 ACL; Ingress Port IPv6 ACL
Ingress VLAN IPv4 ACL; Ingress VLAN IPv6 ACL
Ingress Routed Port Policy with IPv4 classes; Ingress Routed Port Policy with IPv6
classes
Ingress Routed VLAN Policy with IPv4 classes; Ingress Routed VLAN Policy with IPv6
classes
Ingress IPv4 Analytics Data Collection (ADC); Ingress IPv6 Analytics Data Collection
(ADC)
Ingress IPv4 VSX; Ingress IPv6 VSX
```

**8320, 8325:** These features are not classifier-related but do use one TCAM lookup each:

```
Ingress IPv4 Analytics Data Collection (ADC)
Ingress IPv6 Analytics Data Collection (ADC)
Ingress IPv4 VSX
Ingress IPv6 VSX
Ingress MAC VSX
Ingress ARP VSX
```

Features applied on egress use dedicated hardware and do not conflict with any of the features listed in this topic.

**8325:** Egress VLAN ACLs use two hardware entries for every software entry.

## Matching precedence order

When a packet is matched by multiple TCAM Lookups with the same action, a precedence order is followed. For example, if a packet matches feature 1 with an action to change DSCP to **x** and a feature 2 with an action to change DSCP to **y**, the feature 2 action takes precedence and DSCP of the packet will change to **y** (given that the precedence of feature 2 is greater than that of feature 1). Count-related exception: If a packet matches an IPv4 ACL, a MAC ACL, and a policy with count actions, all the counters increment. Regardless of precedence, if a packet is to be dropped by a configured feature, it will be dropped. Ingress packets do not take precedence over egress packets nor do egress packets take precedence over ingress packets.

The egress TCAM can only increment one counter for the ACLs or policies applied on egress. Only the counter with the highest precedence increments.

The precedence order from highest to lowest is as follows:

```
Ingress Port IPv6 ACL
Ingress Routed VLAN IPv6 ACL
Ingress VLAN IPv6 ACL
Ingress Port IPv4 ACL
Ingress Routed VLAN IPv4 ACL
Ingress VLAN IPv4 ACL
Ingress Port MAC ACL
Ingress VLAN MAC ACL
Ingress IPv6 Analytics Data Collection (ADC)
Ingress IPv4 Analytics Data Collection (ADC)
Ingress Port Policy with IPv6 classes
Ingress Port Policy with IPv4 and/or MAC classes
Ingress VLAN Policy with IPv6 classes
Ingress VLAN Policy with IPv4 and/or MAC classes
Ingress Global Policy with IPv6 classes
Ingress Global Policy with IPv4 and/or MAC classes
IPv6 Control Plane Policing
IPv4 Control Plane Policing
MAC Control Plane Policing
Ingress Control Plane Policing
Ingress Routed Port IPv6 Policy
Ingress Routed Port IPv4 Policy
Ingress Routed VLAN IPv6 Policy
Ingress Routed VLAN IPv4 Policy
Ingress L3 Statistics
Ingress IPv6 VSX
Ingress IPv4 VSX
Ingress ARP VSX
Ingress MAC VSX
Egress Routed Port IPv4 ACL
Egress Routed VLAN IPv6 ACL
Egress VLAN IPv6 ACL
Egress Routed VLAN IPv4 ACL
Egress VLAN IPv4 ACL
Egress Control Plane Policing
Egress L3 Statistics
```

## L4 port ranges

Any ACE or class entry that uses 'lt', 'gt', 'range', or port groups will attempt to use dedicated hardware resources called L4 port ranges. There are 32 available L4 port ranges.

L4 port ranges are only supported on these features:

```

Ingress IPv4 Port ACL
Ingress IPv6 Port ACL
Ingress IPv6 ADC
Ingress IPv4 Port MAC Policy
Ingress IPv4 VLAN ACL
Routed-in IPv4 VLAN ACL
Ingress IPv4 VLAN MAC Policy
Ingress IPv6 Port Policy
Egress IPv4 VLAN ACL
Egress IPv6 VLAN ACL
Routed-in IPv4 Port Policy
Routed-in IPv4 VLAN Policy
Routed-in IPv6 Port Policy
Routed-in IPv6 VLAN Policy
Ingress IPv4 Global MAC Policy

```

An L4 port range can be shared between any supported feature. Any unsupported feature may use more than one hardware entry to represent the range of L4 ports.

## ACL and Policy hardware resource commands

### show resources

```
show resources [vsx-peer]
```

#### Description

Shows hardware resource consumption on the switch. Resource data is updated every 10 seconds.

Hardware resource consumption information is shown for:

- TCAM entries
- Policers
- L4 Port Ranges

Parameter	Description
<SLOT-ID>	Specifies the VSF member on the 6300 switch and the member and slot of the line module on the 6400 switch. For example, on the 6400 switch, to specify the line module in member 1, slot 2, enter 1/2.
<SLOT-ID>	Specifies the member and slot of the line module. For example, to specify the line module in member 1, slot 2, enter 1/2.
vsx-peer	Shows the output from the VSX peer switch. If the switches do not have the VSX configuration or the ISL is down, the output from the VSX peer switch is not displayed. This parameter is available on switches that support VSX.

#### Examples

Showing hardware resource consumption:

```
switch# show resources
```

#### Resource Usage:

Mod	Description Resource	Width	Used	Reserved	Free
1/1	Ingress IPv4 Port ACL				
	Ingress TCAM Entries	1	2	2048	
	Ingress MAC+IPv4 Port Policy				
	Ingress TCAM Entries	2	8	2048	
	Ingress Control Plane Policing				
	Ingress TCAM Entries	2	152	1024	
	Egress Control Plane Policing				
	Egress TCAM Entries	2	84	256	
	Total				
	Ingress TCAM Entries		162	5120	11264
	Egress TCAM Entries		84	256	768
	Policers		0		16384
	Ingress L4 Port Ranges		0		32

## Command History

Release	Modification
10.07 or earlier	--

## Command Information

Platforms	Command context	Authority
8320 8325	Operator (>) or Manager (#)	Operators or Administrators or local user group members with execution rights for this command. Operators can execute this command from the operator context (>) only.

## show resources

show resources [vsx-peer]

### Description

On the 8360 switch, shows hardware resource consumption on the switch. Resource data is updated every 10 seconds.

Hardware resource consumption information is shown for:

- TCAM entries
- Policers
- L4 Port Ranges

Parameter	Description
vsx-peer	Shows the output from the VSX peer switch. If the switches do not have the VSX configuration or the ISL is down, the output from the VSX peer switch is not displayed. This parameter is available on switches that support VSX.

### Usage

The widths for show resources can have features combined (IPv4 + IPv6) into one TCAM lookup. Therefore, the table widths for each ACL/classifier policy type are variable depending on what is applied. For example:

```
"Ingress IP Port ACL" = Ingress v4 Port ACLs + Ingress v6 Port ACLs
                        = 1 TCAM entry + 4 TCAM entries
                        = 5 TCAM entries
```

Widths per feature are as follows:

```
MAC ACL      1
IPv4 ACL     1
IPv6 ACL     4
MAC Class    1
IPv4 Class   2
IPv6 Class   4
```

A MAC Class with an ethertype of "any" has a width of 7 because it uses one TCAM entry each for MAC, IPv4, and IPv6. Specifying the IPv4 (0x0800) or IPv6 (0x86DD) ethertypes in a MAC Class uses a TCAM entry equal to their respective size. IPv4 uses a width of 2 and IPv6 uses a width of 4.

### Example

Showing hardware resource consumption:

```
switch# show resources

Resource Usage:

Mod  Description
    Resource                               Used Reserved   Free
-----
1/1  Ingress IP Port ACL Lookup
    Ingress TCAM Entries                   20         0   5093
    Total
    Ingress Lookups                        1         0     4
    Egress Lookups                         0         0     4
```

### Command History

Release	Modification
10.07 or earlier	--

### Command Information

Platforms	Command context	Authority
8360	Operator (>) or Manager (#)	Operators or Administrators or local user group members with execution rights for this command. Operators can execute this command from the operator context (>) only.

## High capacity TCAM commands

## system high-capacity-tcam access-list ip

```
system high-capacity-tcam access-list ip port in
system high-capacity-tcam access-list ip vlan {in|routed-in}
```

```
no system high-capacity-tcam access-list ip port in
no system high-capacity-tcam access-list ip vlan {in|routed-in}
```

### Description

Configures the high capacity TCAM for one of three types of IPv4 ingress ACLs. Full switch chassis reboot or reboot of every line module is required before the configuration change takes effect.

The `no` form of this command reverts the high capacity TCAM to its default of Ingress IPv4 Port ACLs.

Parameter	Description
port in	Selects Ingress IPv4 Port ACLs. This is the default.
vlan in	Selects Ingress IPv4 VLAN ACLs.
vlan routed-in	Selects Routed Ingress IPv4 VLAN ACLs.

### Usage

- Upon reboot, the high capacity TCAM is entirely reconfigured for the selected IPv4 ingress ACL type, causing the previous ACL type to now only use the standard internal TCAM with its smaller capacity.



---

In a VSX environment the high capacity TCAM configuration must be synchronized to the secondary switch and both switches (or all line cards in both switches) must be rebooted before the new configuration takes effect on either switch.

---

### Examples

Configuring the high capacity TCAM for Ingress IPv4 VLAN ACLs:

```
switch(config)# system high-capacity-tcam access-list ip vlan in
This command changes how the high capacity TCAM is used and requires
a reboot to complete. After reboot, any entries that were using the
high capacity TCAM will be moved to lower capacity hardware and may
no longer fit.

Continue (y/n)? y
switch(config)#
```

Reverting the high capacity TCAM to its default of Ingress IPv4 Port ACLs:

```
switch(config)# no system high-capacity-tcam access-list ip vlan in
This command changes how the high capacity TCAM is used and requires
a reboot to complete. After reboot, any entries that were using the
high capacity TCAM will be moved to lower capacity hardware and may
no longer fit.

Continue (y/n)? y
switch(config)#
```

## Command History

Release	Modification
10.07 or earlier	--

## Command Information

Platforms	Command context	Authority
	config	Administrators or local user group members with execution rights for this command.

## show system high-capacity-tcam

show system high-capacity-tcam [commands]

### Description

Shows the high capacity TCAM feature current configuration or the pending configuration change (if any) and the current high capacity TCAM feature configuration of each line module plus a reminder to reboot (when needed). The three possible high capacity TCAM feature names are displayed as follows (Ingress IPv4 Port ACL is the default):

```
Ingress IPv4 Port ACL
Ingress IPv4 VLAN ACL
Routed Ingress IPv4 VLAN ACL
```

Parameter	Description
commands	Changes the show command output to be in the form of CLI commands.

### Examples

Configuring the high capacity TCAM for **Ingress IPv4 VLAN ACLs** and then showing the configuration before and after reboot. Notice the reminders for the required reboot.

```
switch(config)# system high-capacity-tcam access-list ip vlan in
This command changes how the high capacity TCAM is used and requires
a reboot to complete. After reboot, any entries that were using the
high capacity TCAM will be moved to lower capacity hardware and may
no longer fit.

Continue (y/n)? y
switch(config)#
switch(config)# show system high-capacity-tcam
High-Capacity TCAM/LPM Usage:
Configured feature : Ingress IPv4 VLAN ACL
Default feature    : Ingress IPv4 Port ACL

Module      Current Feature
-----
1/1         Ingress IPv4 Port ACL (reboot required to apply new configuration)
1/4         Ingress IPv4 Port ACL (reboot required to apply new configuration)
```



```

...
## after the reboot of the entire switch or all line modules ##

switch# show system high-capacity-tcam
High-Capacity TCAM/LPM Usage:
Configured feature : Ingress IPv4 VLAN ACL
Default feature   : Ingress IPv4 Port ACL

Module      Current Feature
-----
1/1         Ingress IPv4 VLAN ACL
1/4         Ingress IPv4 VLAN ACL

```

Showing the configuration change as commands:

```

switch# show system high-capacity-tcam commands
system high-capacity-tcam access-list ip vlan in
! not applied to module 1/1 - reboot required
! not applied to module 1/4 - reboot required
...

```

## Command History

Release	Modification
10.07 or earlier	--

## Command Information

Platforms	Command context	Authority
	Operator (>) or Manager (#)	Operators or Administrators or local user group members with execution rights for this command. Operators can execute this command from the operator context (>) only.

### Accessing Aruba Support

Aruba Support Services	<a href="https://www.arubanetworks.com/support-services/">https://www.arubanetworks.com/support-services/</a>
Aruba Support Portal	<a href="https://asp.arubanetworks.com/">https://asp.arubanetworks.com/</a>
North America telephone	1-800-943-4526 (US & Canada Toll-Free Number) +1-408-754-1200 (Primary - Toll Number) +1-650-385-6582 (Backup - Toll Number - Use only when all other numbers are not working)
International telephone	<a href="https://www.arubanetworks.com/support-services/contact-support/">https://www.arubanetworks.com/support-services/contact-support/</a>

Be sure to collect the following information before contacting Support:

- Technical support registration number (if applicable)
- Product name, model or version, and serial number
- Operating system name and version
- Firmware version
- Error messages
- Product-specific reports and logs
- Add-on products or components
- Third-party products or components

#### Other useful sites

Other websites that can be used to find information:

Airheads social forums and Knowledge Base	<a href="https://community.arubanetworks.com/">https://community.arubanetworks.com/</a>
AOS-CX Switch Software Documentation Portal	<a href="https://www.arubanetworks.com/techdocs/AOS-CX/help_portal/Content/home.htm">https://www.arubanetworks.com/techdocs/AOS-CX/help_portal/Content/home.htm</a>

Aruba Hardware Documentation and Translations Portal	<a href="https://www.arubanetworks.com/techdocs/hardware/DocumentationPortal/Content/home.htm">https://www.arubanetworks.com/techdocs/hardware/DocumentationPortal/Content/home.htm</a>
Aruba software	<a href="https://asp.arubanetworks.com/downloads">https://asp.arubanetworks.com/downloads</a>
Software licensing	<a href="https://lms.arubanetworks.com/">https://lms.arubanetworks.com/</a>
End-of-Life information	<a href="https://www.arubanetworks.com/support-services/end-of-life/">https://www.arubanetworks.com/support-services/end-of-life/</a>
Aruba Developer Hub	<a href="https://developer.arubanetworks.com/">https://developer.arubanetworks.com/</a>

## Accessing Updates

You can access updates from the Aruba Support Portal or the HPE My Networking Website.

### Aruba Support Portal

<https://asp.arubanetworks.com/downloads>

If you are unable to find your product in the Aruba Support Portal, you may need to search My Networking, where older networking products can be found:

### My Networking

<https://www.hpe.com/networking/support>

To view and update your entitlements, and to link your contracts and warranties with your profile, go to the Hewlett Packard Enterprise Support Center **More Information on Access to Support Materials** page:

<https://support.hpe.com/portal/site/hpsc/aae/home/>

Access to some updates might require product entitlement when accessed through the Hewlett Packard Enterprise Support Center. You must have an HP Passport set up with relevant entitlements.

Some software products provide a mechanism for accessing software updates through the product interface. Review your product documentation to identify the recommended software update method.

To subscribe to eNewsletters and alerts:

<https://asp.arubanetworks.com/notifications/subscriptions> (requires an active Aruba Support Portal (ASP) account to manage subscriptions). Security notices are viewable without an ASP account.

## Warranty Information

To view warranty information for your product, go to <https://www.arubanetworks.com/support-services/product-warranties/>.

## Regulatory Information

To view the regulatory information for your product, view the *Safety and Compliance Information for Server, Storage, Power, Networking, and Rack Products*, available at <https://www.hpe.com/support/Safety-Compliance-EnterpriseProducts>

### **Additional regulatory information**

Aruba is committed to providing our customers with information about the chemical substances in our products as needed to comply with legal requirements, environmental data (company programs, product recycling, energy efficiency), and safety information and compliance data, (RoHS and WEEE). For more information, see <https://www.arubanetworks.com/company/about-us/environmental-citizenship/>.

## **Documentation Feedback**

Aruba is committed to providing documentation that meets your needs. To help us improve the documentation, send any errors, suggestions, or comments to Documentation Feedback ([docsfeedback-switching@hpe.com](mailto:docsfeedback-switching@hpe.com)). When submitting your feedback, include the document title, part number, edition, and publication date located on the front cover of the document. For online help content, include the product name, product version, help edition, and publication date located on the legal notices page.