

Installation Guide

EdgeConnect

EdgeConnect Extra-Small Chassis
EdgeConnect Small Chassis
EdgeConnect Medium Chassis
EdgeConnect Large Chassis
EdgeConnect Extra-Large Chassis

Part 1 - Physical Installation

Before You Begin

- ❑ Check your packing slip to verify that you have all the necessary items.
- ❑ When installing an EdgeConnect gateway that supports pluggable transceivers, first read Small Form-Factor Pluggable (SFP) Module Installation Guide.
- ❑ If your EdgeConnect model requires it, ensure that you have the associated rack mount instructions.
- ❑ Make sure you have a standard Phillips screwdriver.
- ❑ Supply circuits should be protected by a minimum 15A, maximum 20A circuit breaker.
- ❑ On the network equipment, identify the 10/100/1000 Ethernet ports and/or the 1Gbps/10Gbps fiber ports.



Hewlett Packard Enterprise Company
Attn: General Counsel
WW Corporate Headquarters
1701 E Mossy Oaks Rd
Houston, TX 77389

1.800.943.4526 (toll-free in USA)
+1.650.750.0350

Support:
<https://networkingsupport.hpe.com/home>

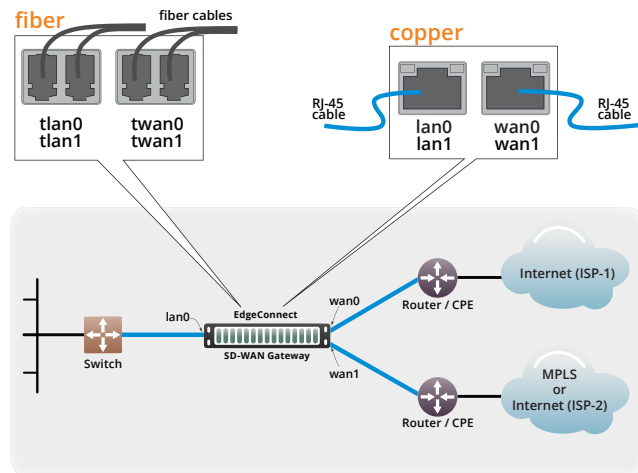
IMPORTANT - READ THIS FIRST: You must install and register your Orchestrator with the HPE Aruba Networking EdgeConnect Cloud Portal **BEFORE** setting up an EdgeConnect gateway. After Orchestrator is registered with your account name and key, you can proceed with EdgeConnect installation. If you don't know or are unsure of Orchestrator's role, contact your network architect or deployment lead.

1 Rack Mount the Gateway

Based on your model, refer to the separate instructions for rack mount, desk mount, or wall mount.

2 Install the Gateway into the Network

- Identify the relevant ports on the rear of the gateway.
- Connect network cables from the gateway to the identified network equipment ports.
- DO NOT connect the power cables yet.



All copper RJ-45 Gigabit Ethernet interfaces in the gateway support MDI/MDI-X and auto-negotiation.

The fiber interfaces support:

- LC connectors
- multi-mode 50µ fiber / 62.5µ fiber
- single-mode 9µ fiber

3 Connect Power Cords

Depending on the model, your gateway may have a single power supply, or redundant power supplies.

- Connect each power cable to the gateway and to your local power source.
- For redundancy, plug in all power cords, preferably to different power sources.

4 Turn the Power On

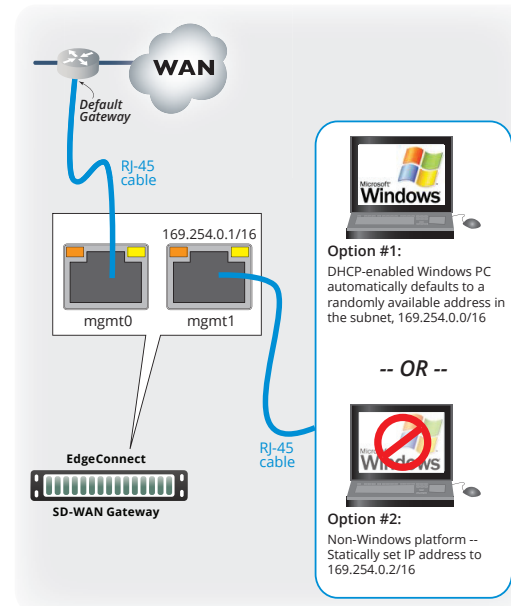
Some gateways power up as soon as they're plugged in, others don't. If the power is off, turn it on. If you don't plug in all the power cords, an audible alarm sounds until you do.

- Verify that each power supply's LED illuminates green.
- On the front panel, verify that the Power LED illuminates green or blue.

5 Optionally, connect the management ports

It is not necessary, however, if you want to create local, physical access to the management ports, you can do so as follows:

HPE Aruba Networking assigns the MGMT1 ethernet interface a default IP address of 169.254.0.1 and a subnet mask of /16 (the same as 255.255.0.0).



Both RJ-45 Gigabit Ethernet interfaces (MGMT0 and MGMT1) support MDI/MDI-X and auto-negotiation.

- Identify the gateway's MGMT0 and MGMT1 interfaces.
- Using an RJ-45 cable, connect the gateway's MGMT0 interface to the network equipment interface.
- Using another RJ-45 cable, connect the gateway's MGMT1 interface to your PC.

You've now completed the physical installation and are ready to register the product with Orchestrator.

Port Configuration

(EC-S-P, EC-S-P DC, and EC-M-H gateways only)

When linking any of the specified gateways to a 1G SFP port, configure the peer (switch/router) 1G SFP port as **Forced 1G/Full Duplex, Auto/Auto Disable**.

These Aruba gateways will not link to a peer 1G SFP port that is configured as **Auto/Auto**.

End User License Agreement

The End User License Agreement (EULA) information for this product can be found at:
www.arubanetworks.com/assets/legal/EULA.pdf

Warranty

This hardware product is protected by an HPE-Aruba Networking warranty. Visit www.hpe.com/us/en/support.html and search for "Warranty Check".

Installation Guide

EdgeConnect

EdgeConnect Extra-Small Chassis
EdgeConnect Small Chassis
EdgeConnect Medium Chassis
EdgeConnect Large Chassis
EdgeConnect Extra-Large Chassis

Part 2 - Registration

Before You Begin

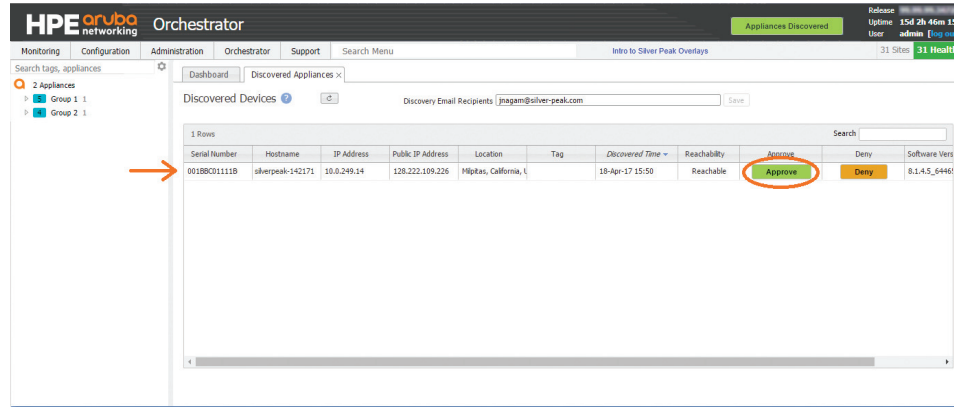
- ❑ Make sure that Orchestrator or Orchestrator-as-a-Service (OAAS) is installed and registered.
- ❑ Verify that you've received the email containing your Account Name and Account Key.

IMPORTANT - READ THIS FIRST: You must install and register your Orchestrator with the HPE-Aruba Networking EdgeConnect Cloud Portal **BEFORE** setting up an EdgeConnect gateway. After Orchestrator is registered with your account name and key, you can proceed with EdgeConnect installation. If you don't know or are unsure of Orchestrator's role, contact your network architect or deployment lead.

1 Approve the Discovered Appliance

After you power on the EdgeConnect appliance (gateway), it automatically registers its serial number with the HPE-Aruba Networking EdgeConnect Enterprise Cloud Portal. The portal knows how to associate a serial number with a particular account.

- Go to the Orchestrator.
- In the header, click the blinking box named Appliances Discovered. The Discovered Appliances page opens, listing the most recently discovered appliances first.



- After verifying that the appliance is yours, click Approve.
- Select the group and click Apply. The Appliance Manager Configuration Wizard opens.

2 Complete the Appliance Manager Configuration Wizard

Appliance Setup

1 2 3 4 5

Appliance* edgeconnect-1
Group* North America
Admin Password *****
Confirm Password *****

Site Name
Contact Name
Contact Email
Serial Number* 00-18-8C-09-8B-27

Location
Address 1
Address 2
City Santa Clara State California
Zip Code 95090 Country US
Region No Region
IPSec UDP Port 12000
Hub Site

Used to identify appliances at the same location. Tunnels will NOT be built between appliances with identical Site Names.

San Jose

< Previous Next > Apply

- If you've also purchased EdgeConnect Boost or EdgeConnect Bandwidth Licensing, and you want to apply it to this appliance, select the relevant check box(es) on the Deployment Profile page.
- At the end, click Apply. It may take up to two minutes to register the appliance.
- Complete the remaining wizard screens.
 - On the Deployment page's default configuration, the WAN-side interfaces use DHCP IP addresses, unless you manually enter static IP addresses.



Hewlett Packard Enterprise Company
Attn: General Counsel
WW Corporate Headquarters
1701 E Mossy Oaks Rd
Houston, TX 77389

1.800.943.4526 (toll-free in USA)
+1.650.750.0350

Support:
<https://networkingsupport.hpe.com/home>

