

# Installation Guide

• Supplement •

## EdgeConnect

### RACK MOUNT

INSTRUCTIONS

• 1-RU WITH RAILS •

EC-S-P  
EC-M-H

#### Before You Begin

- ❑ Check your packing slip to verify that you have all the necessary items.
- ❑ Make sure you have a #2 Phillips screwdriver. You may also need a flat-tipped screwdriver.

**HPE** **aruba**  
**networking**

Hewlett Packard Enterprise Company  
Attn: General Counsel  
WW Corporate Headquarters  
1701 E Mossy Oaks Rd  
Houston, TX 77389

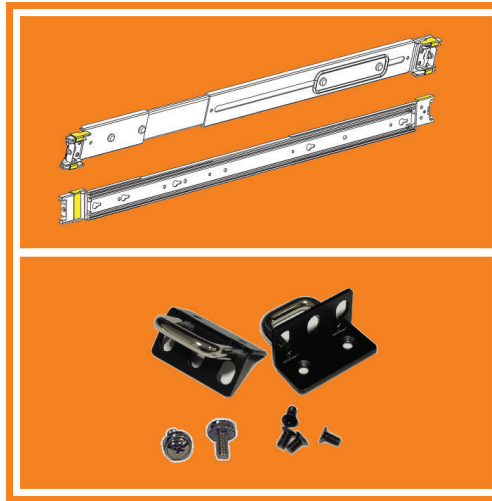
1.800.943.4526 (toll-free in USA)  
+1.650.750.0350

Support:  
<https://networkingsupport.hpe.com/home>

#### NOTES:

- Read guide thoroughly before installation
- Begin installing the rails in the allotted space closest to the bottom of the rack enclosure.

#### A Identifying the rail kit contents



Locate the rail assembly kit components:

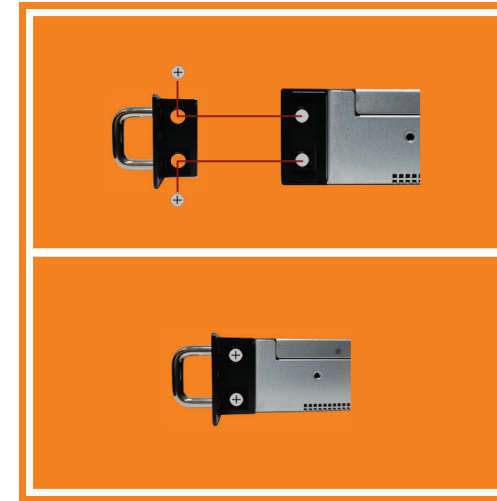
- Two Tool-less Server Slide rail assemblies
- Two Small Rackmount Brackets with Handle
- 4x M4 screws for attaching the brackets to the gateway
- 2x M5 screws for locking the chassis to the rack

#### B Remove existing pre-installed long rackmount brackets from the chassis



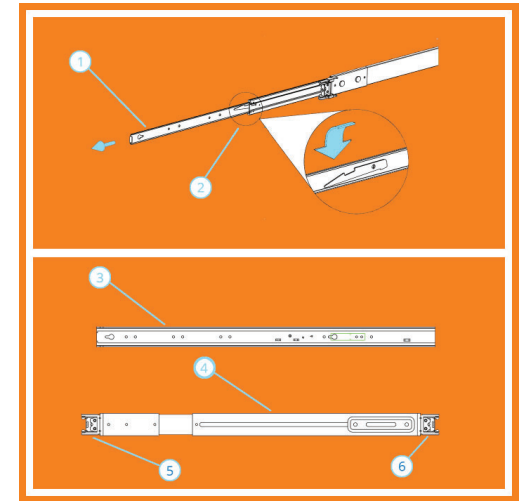
Remove the screws that attach the pre-installed bracket from the chassis on each side of the chassis.

#### C Install Small Rackmount Brackets onto Chassis



Attach one rackmount bracket on each side of the chassis using two M4 screws on each side,

#### D Separate Inner (chassis) and Outer (rack) Rail Members



1. Pull the slide open (1).
2. Press the trigger down (2).
3. Pull the inner member (3) out from the outer member (4).
4. Outer Member Components: Front Latch (5) and Rear Latch (6)



# Installation Guide

• Supplement •

## EdgeConnect

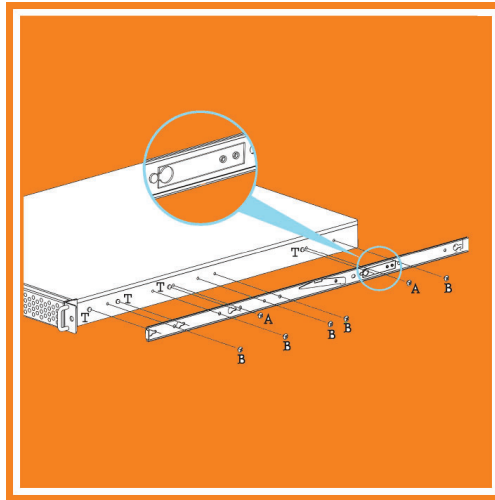
### RACK MOUNT

INSTRUCTIONS

• 1-RU WITH RAILS •

EC-S-P  
EC-M-H

#### E Mount (Remove) Inner Member to (from) the Chassis



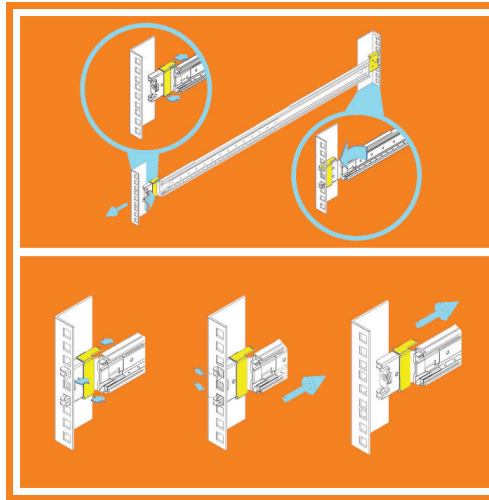
##### Mount Inner Member to Chassis

1. Align the spring clip on inner member on the mounting pins (T) on either side of the chassis (1).
2. Push in the inner rail and slide towards the chassis front to lock the inner rail to the chassis (2).
3. Securely lock the inner rail to chassis with provided screws (A and B).

##### Removing Inner Member from Chassis

1. Remove screws (A and B) if they were previously installed.
2. Pull up spring clip to clear the mounting pin (T).
3. Push inner member towards the rear until the spring clip covers the mounting pin (T).
4. Disengage inner rail from chassis

#### F Attach (remove) Outer Rail Members to the Rack



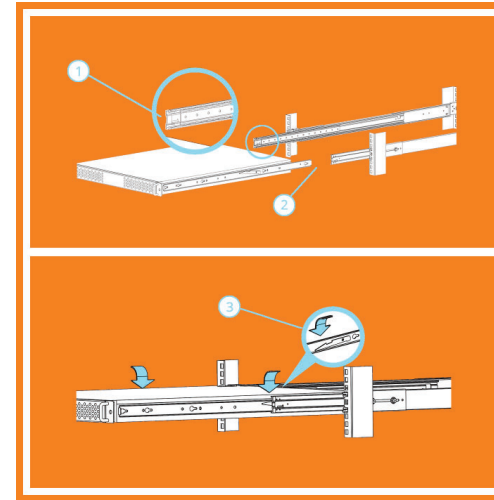
##### Attach Outer Members to the Rack (Repeat for each side)

1. Verify the safety locks on each end of the member is released (1).
2. Slide the locking clips into upper and lower square holes on the front and back rails (2).
3. Push the safety locks forward to secure the member to the rails (3). Check by tugging from inside of rack towards the other side of the rack. Outer member should be securely mounted.

##### Remove Outer Members from the Rack

1. Release the safety locks by pushing them away from the rack frame (4).
2. Release the rail end clips from the square holes on the front and back rails.

#### G Mount (remove) the Chassis into (from) the Rack



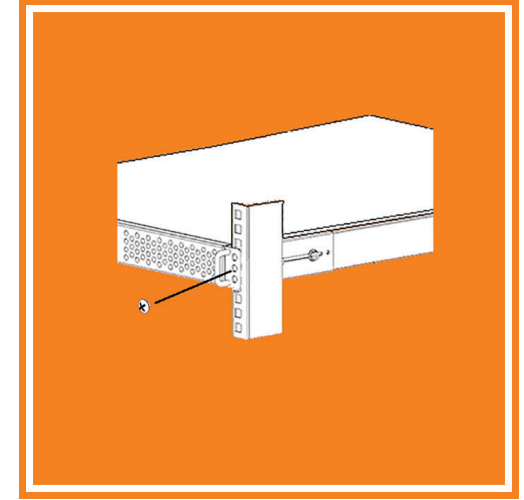
##### Mount Chassis into the Rack

1. Verify the ball retainer is in fully extended position (1).
2. Slide the inner (chassis) rail members into the outer (rail) members (2).
3. While pushing the chassis back to the rack, press the trigger down to release the slide from locking position (3).

##### Remove Chassis from the Rack

1. Remove the screw from the center hole on the bracket (if it was previously installed).
2. Slide the chassis outward from the rack.
3. Press the trigger down to release the slide from locking position.
4. Slide the chassis from the outer members.

#### H Securing the Chassis



##### Securing the Chassis-Rail to the Rack

1. To secure the chassis to the rack, install an M5 screw through the center hole on the bracket on each end of the rail through the rack.

